

Legend:

RSPC = Recommended Spare Part Class		
RSPC	Description	Definition
A	Consumable part	A part that is not maintainable , consumed by the machine and /or the process and must be replaced/refilled after a certain quantity of products produced.
B	Wear and tear part	A part that is mostly not maintainable , it wears more or less proportional to the quantity of products produced and therefore needs to be replaced/reconditioned after a certain quantity of products produced.
C	Essential part	A part that is not maintainable within a reasonable time, with an “essential” function in the machine, which in case it fails, might cause a machine down situation.
D	Spare part	A part that might need replacement, due to unforeseen circumstances and therefore is made available.
E	Tooling part	A customized part, that means a part manufactured (customer and/or product specific) for a unique application.
<p>Note: The RSPC in this manual is indicative. GEA reserves the right to make changes without notices. Ask your local GEA sales representative for your customized Recommended Spare Part List.</p>		

Machine : GEA MultiFormer 600
 Serial number :
 Year of manufacturing :
 Project number :
 Position Number :

UL/CSA

Electrical mains connection : 575V - 3~ - 60Hz Power : 23,3 kW
 Power cable : 4 x 6mm² Current : 575V 60Hz 33 A
 Fuse rating : 63A gG Remark :

Created : 15-11-2018 by : edemirsatan Number of pages : 64
 Last change : 25-3-2019 by :
 Released : by :
 Revision : 03


3/87	1-2-2019	Revision:		Description: title page	Machine:	GEA MultiFormer 600	= TP
Released:		03			Serial Number:		+
Document number:	1000424726						Page: 1

Table of contents

Page	Page description	Last change
=TP 1	title page	1-2-2019
=TC 2	table of contents	25-3-2019
=TC 3	table of contents	25-3-2019
=IP 50	information page electrical diagram	14-8-2018
=MO 80	structure identifier overview	1-2-2019
=00 +EC00 100	power supply power circuit main switch	19-11-2018
=00 +EC00 101	power supply power circuit	23-11-2018
=00 +EC00 102	power supply safety general	18-4-2017
=00 +EC00 150	emergency stop device	1-10-2018
=00 +EC00 153	emergency stop circuit	1-10-2018
=00 +EC00 155	emergency stop	1-10-2018
=00 +EC00 156	emergency stop	1-10-2018
=00 +EC00 170	safeguard	1-10-2018
=00 +EC00 171	safeguard	1-10-2018
=00 +EC00 200	monitoring	1-10-2018
=00 +EC00 250	control panel	1-10-2018
=00 +EC00 260	fieldbus overview	16-8-2018
=00 +EC00 270	plc overview slave 5	1-10-2018
=00 +EC00 271	plc overview slave 5	27-8-2018
=00 +EC00 272	plc overview slave 5	20-12-2016
=00 +EC00 273	plc overview slave 5	27-8-2018
=00 +EC00 274	plc overview slave 5	20-12-2016
=00 +EC00 275	plc overview slave 5	19-4-2017
=00 +EC00 276	plc overview slave 5	6-6-2018
=00 +EC00 277	plc overview slave 5	6-6-2018
=00 +EC00 278	plc overview slave 5	16-8-2018
=00 +EC00 279	plc overview slave 5	6-6-2018
=00 +EC00 400	hydraulic system	21-11-2018
=00 +EC00 401	hydraulic system	21-8-2018
=00 +EC00 402	hydraulic system oil cooler	19-11-2018
=00 +EC00 403	hydraulic system oil cooler	1-10-2018
=00 +EC00 410	conveyor	25-3-2019
=00 +EC00 411	conveyor	21-8-2018
=00 +EC00 412	conveyor	1-2-2019
=00 +EC00 600	production	17-10-2018

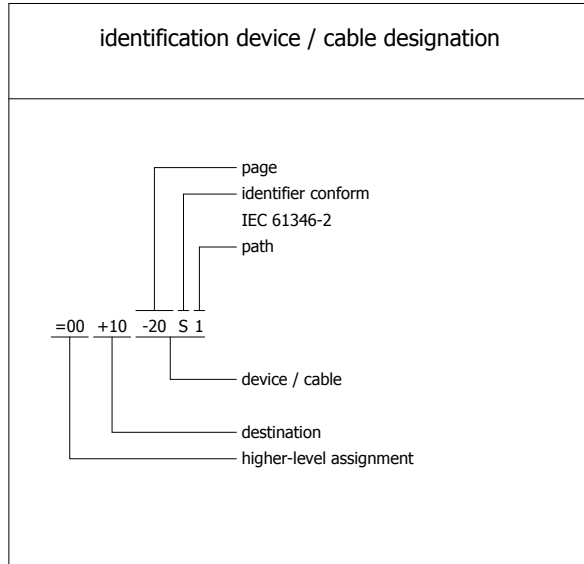
Table of contents

Page	Page description	Last change
=00 +EC00 610	hopper	1-10-2018
=00 +EC00 611	hopper	21-5-2015
=00 +EC00 612	front side cover	27-8-2018
=00 +EC00 620	knock out	1-10-2018
=00 +EC00 621	knock out	5-5-2015
=00 +EC00 622	knock out	16-8-2018
=00 +EC00 630	press block	23-10-2018
=00 +EC00 631	press block	13-4-2015
=00 +EC00 632	press block	6-6-2018
=00 +EC00 650	augers / form plate	7-2-2017
=00 +EC00 651	augers / form plate	6-6-2018
=00 +EC00 670	nozzle	1-10-2018
=00 +EC00 680	synchronisation signal (option)	25-3-2019
=00 +EC00 700	GEA Paper Interleaver (option)	1-10-2018
=00 +EC00 701	GEA Paper Interleaver (option)	1-10-2018
=00 +EC00 702	GEA Paper Interleaver (option)	1-10-2018
=00 +EC00 710	GEA Tray Transverse Conveyor (option)	6-6-2018
=00 +EC00 720	GEA Stick Inserter (option)	6-6-2018
=00 +EC00 721	GEA Stick Inserter (option)	6-6-2018
=00 +EC00 722	GEA Stick Inserter (option)	1-10-2018
=00 +EC00 723	GEA Stick Inserter (option)	21-8-2018
=00 +EC00 725	GEA BridgeBreaker (option)	6-6-2018
=00 +EC00 900	interface	16-8-2018
=00 +EC00 910	interface infeed device 1	1-10-2018
=00 +EC00 915	interface outfeed device 1	1-10-2018
=EC +EC00 1000	mounting location s: mounting plate 955x710	23-11-2018
=EC +EC00 1001	mounting location s: gland overview	1-10-2018
=EC +EC00 1002	mounting location s: gland overview	1-10-2018
=EC +EC00 1003	mounting location m1: operator panel	27-8-2018

correction factor for ambient temperature: 1

		CE		UL/CSA	
		colour	diameter *	colour	diameter *
main current circuit :					
200-660VAC	phase	bk	1,5 mm ²	bk 14 AWG	(2,1 mm ²)
control current circuit :					
24-230VAC	phase	rd	0,75 mm ²	rd 18 AWG	(0,82 mm ²)
	zero	rd/wh	0,75 mm ²	wh 18 AWG	(0,82 mm ²)
	after switched zero	rd	0,75 mm ²	rd 18 AWG	(0,82 mm ²)
24VDC	+	bu	0,75 mm ²	bu 18 AWG	(0,82 mm ²)
	-	bu/wh	0,75 mm ²	bu/wh 18 AWG	(0,82 mm ²)
	after switched -	bu	0,75 mm ²	bu 18 AWG	(0,82 mm ²)
general:					
ground	earth	gn/ye	0,75 mm ²	gn/ye 18 AWG	(0,82 mm ²)
foreign voltage	phase	og	0,75 mm ²	og 18 AWG	(0,82 mm ²)
	zero	og	0,75 mm ²	og/wh 18 AWG	(0,82 mm ²)
	after switched zero	og	0,75 mm ²	og 18 AWG	(0,82 mm ²)

* except when otherwise specified



identification of terminals

Terminal box number
 -0 = main cabinet
 -1 = GEA Paper Interleaver

Identification of terminal strip
 - X0 = not specified
 - X1 = 200-600VAC power circuit
 - X2 = 230VAC control circuit
 - X3 = 24VAC/DC control circuit
 - X4 = 0/4-20mA/0-10V analogue signals
 - X5 = communication signals
 - X6 = external signals

1 X 1.1 1 1 1
 1,2,... Additional for extension in same switch box
 Terminal number
 Identification of terminal strip
 Terminal box number

colour code

black	bk
brown	bn
red	rd
orange	og
yellow	ye
green	gn
blue	bu
violet (purple)	vt
grey	gy
white	wh
pink	pk
gold	gd
turquoise	tq
silver	sr
green / yellow	gnye


mounting location

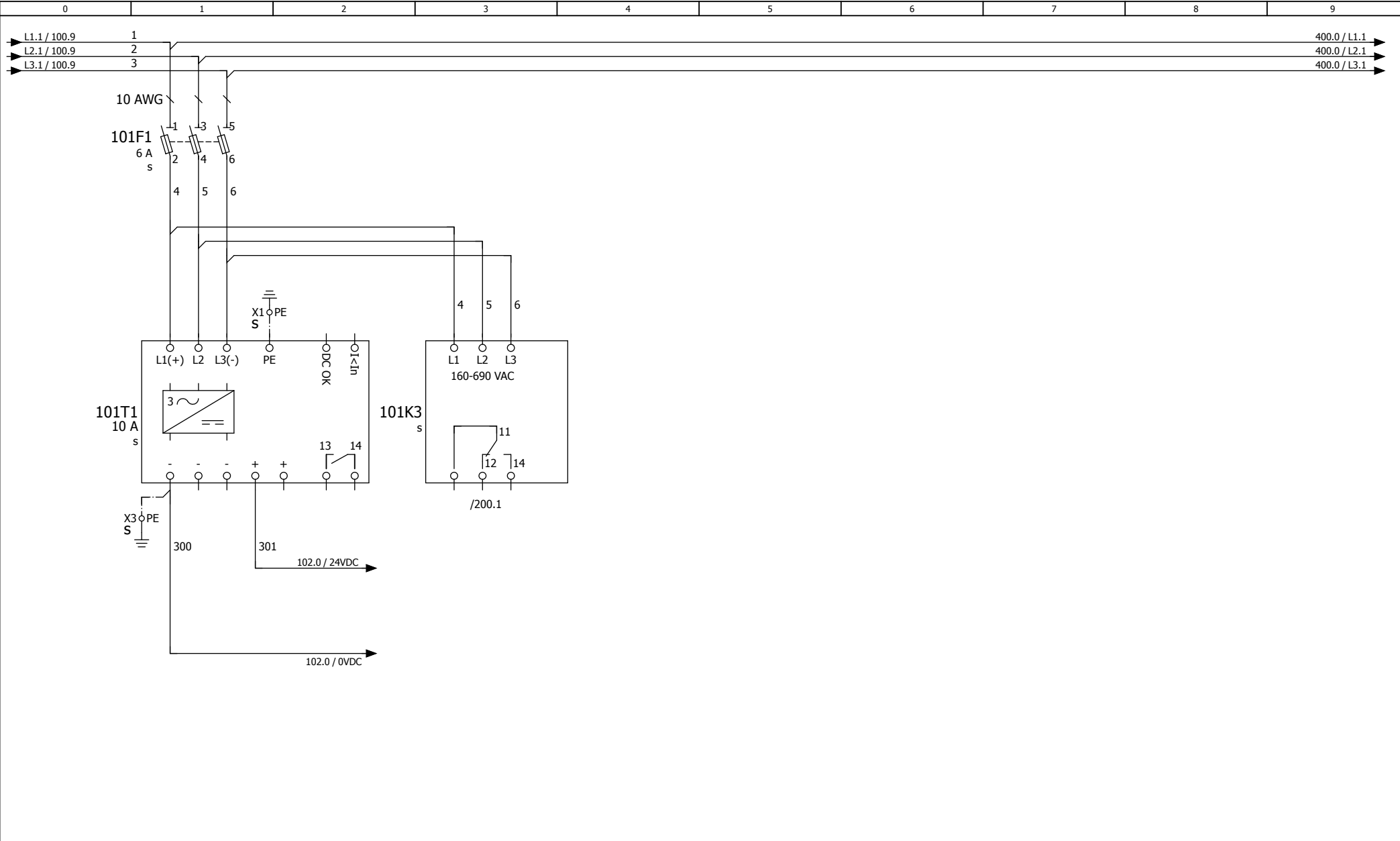
c = cable = or < 16mm² on stock, different length

m = machine
 m1 = operator panel
 s = electrical cabinet

level	description
Higher-level function	
=TP	title page
=CN	ChangeNotification
=TC	table of contents
=IP	information
=MO	machine overview
=00	electrical diagram
=EC	electrical cabinet
=TD	terminal diagram
=DL	device list
=DS	device purchase list
=CL	cable list
=CS	cable purchase list
Mounting location	
+EC00	electrical diagram
+PPI	GEA Paper Interleaver
+TTC	GEA Tray Transverse Conveyor
+STI	GEA Stick Inserter
+BDG	GEA BridgeBreaker
+SP01	




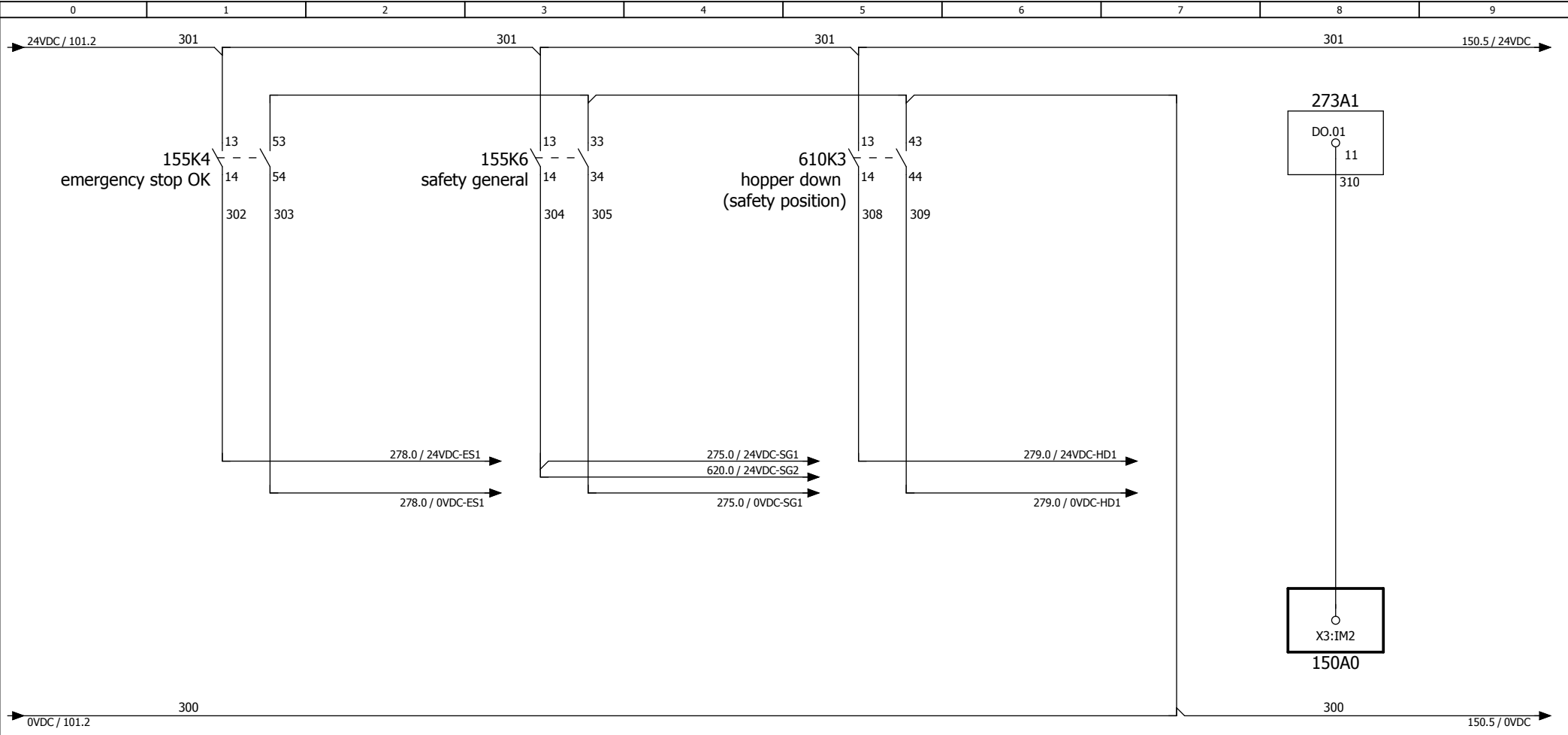
<p>8/87</p>	<p>19-11-2018</p>	<p>Revision:</p>		<p>Description:</p>	<p>Machine:</p>	<p>= 00</p>
<p>Released:</p>		<p>03</p>		<p>power supply power circuit main switch</p>	<p>GEA MultiFormer 600</p>	<p>+ EC00</p>
<p>Document number:</p>	<p>1000424726</p>				<p>Serial Number:</p>	<p>Page: 100</p>




supply 24VDC

phase sequence
control

9/87	23-11-2018	Revision:		Description: power supply power circuit	Machine:	GEA MultiFormer 600	= 00
Released:		03			Serial Number:		+ EC00
Document number:	1000424726						Page:

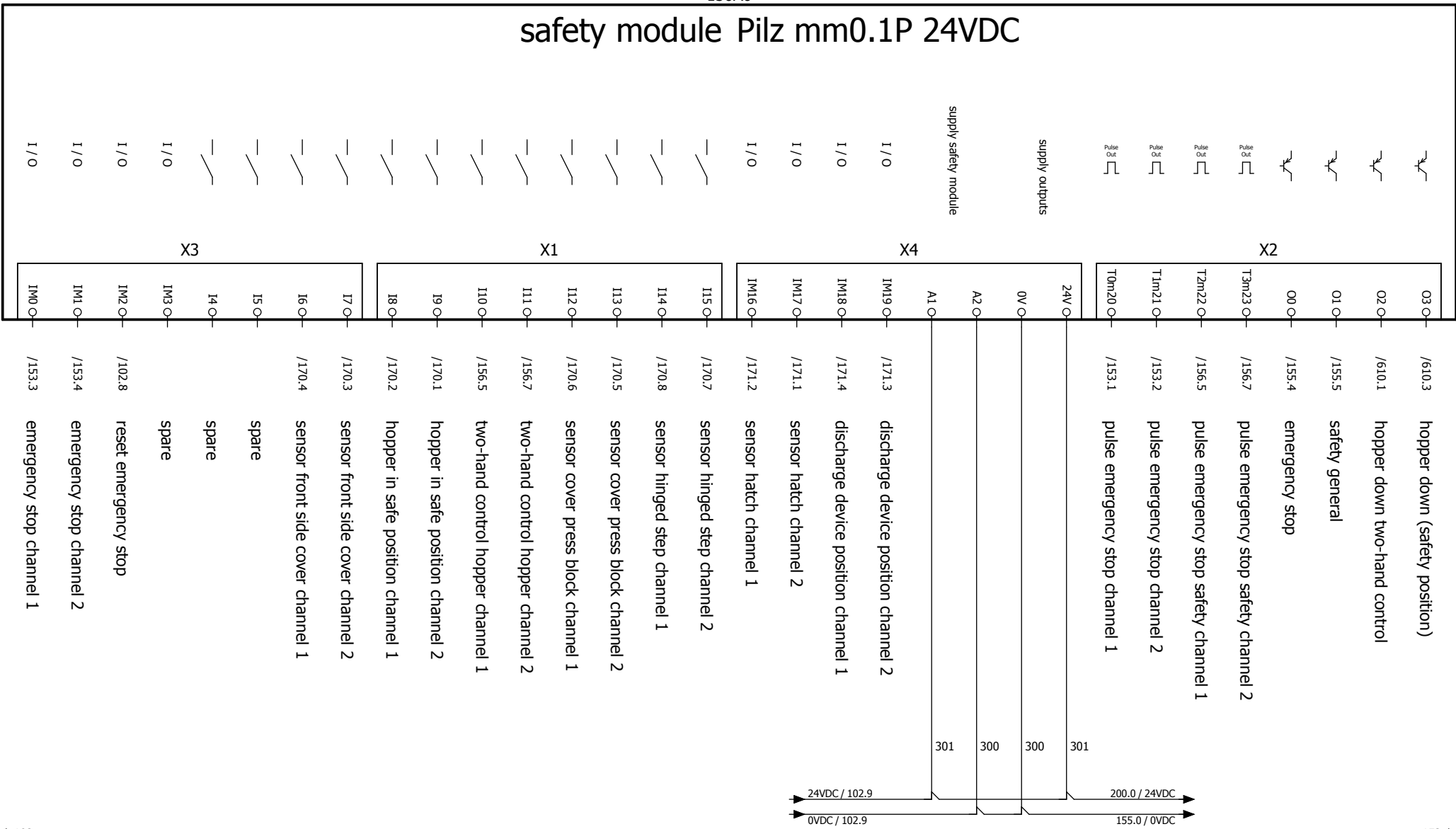


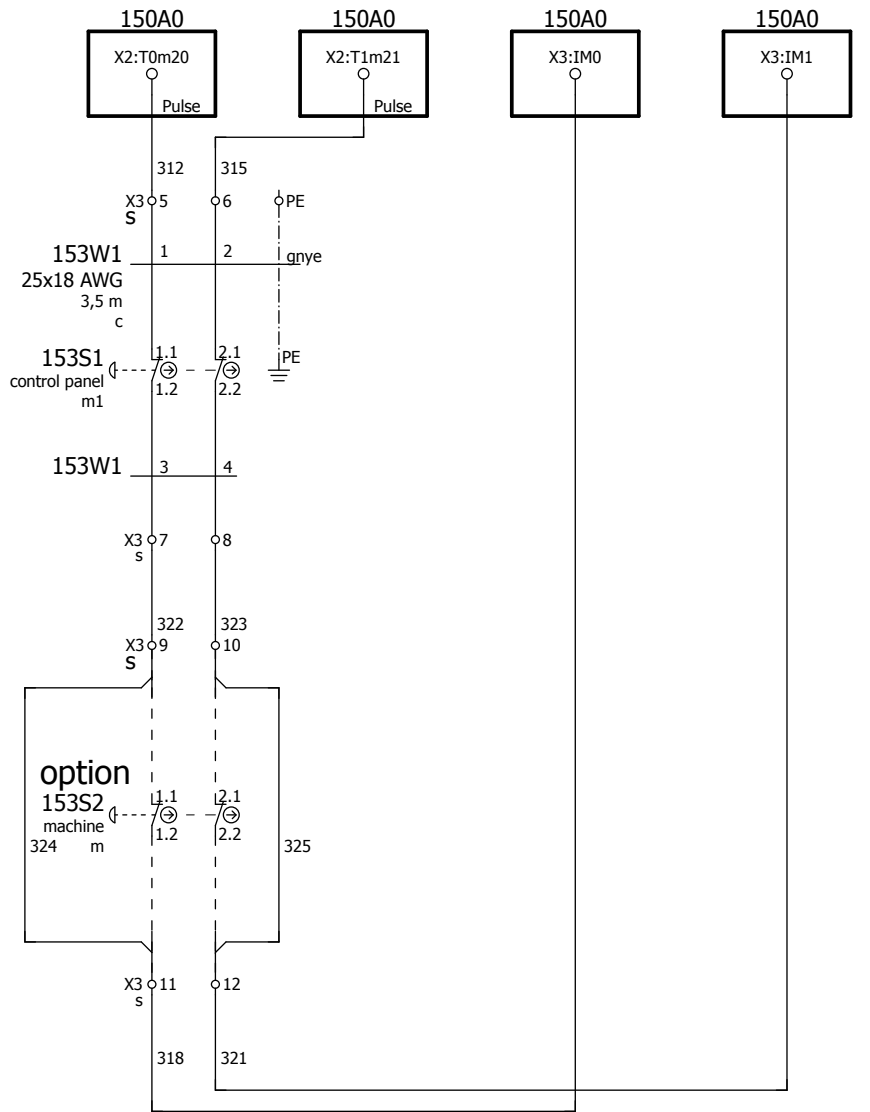
◀ 101 emergency stop OK emergency stop / safety OK hopper down (safety position) reset emergency stop 150 ▶

10/87	18-4-2017	Revision:		Description: power supply safety general	Machine:	GEA MultiFormer 600	= 00
Released:		03			Serial Number:		+ EC00
Document number:	1000424726					Page:	102


150A0

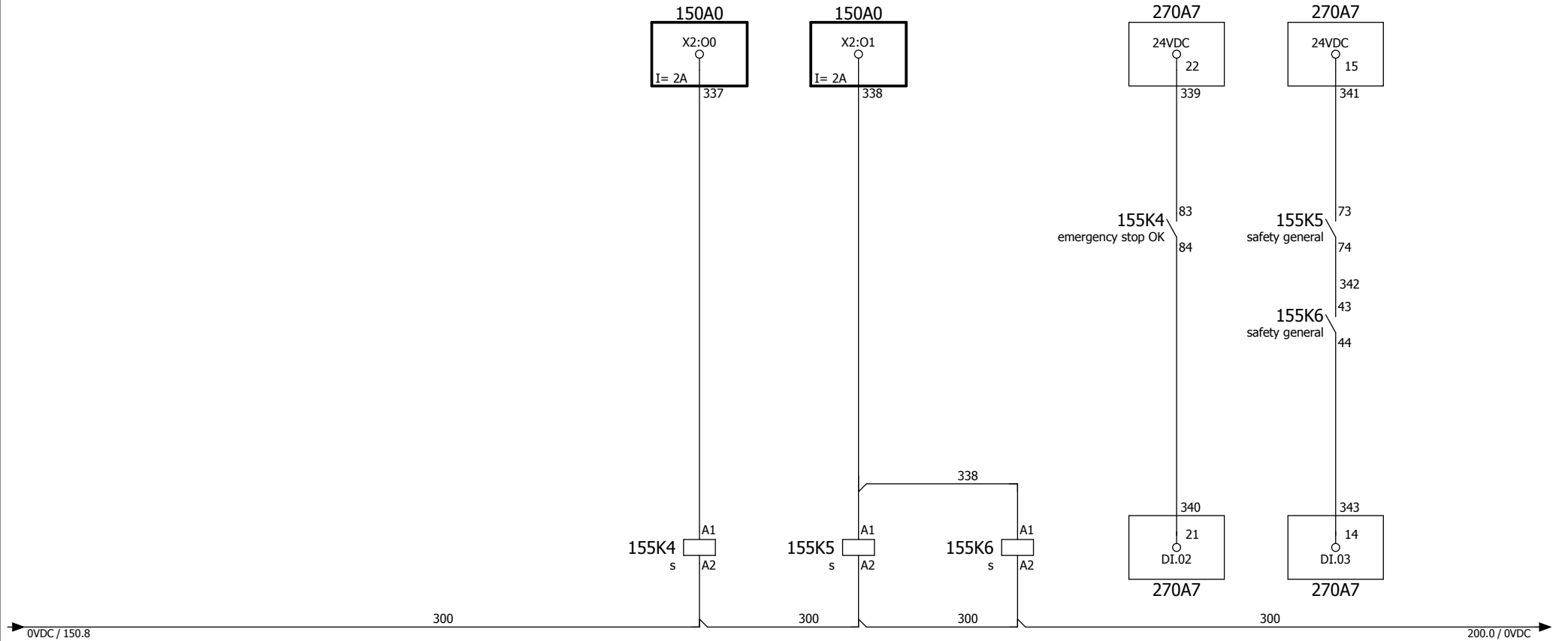
safety module Pilz mm0.1P 24VDC





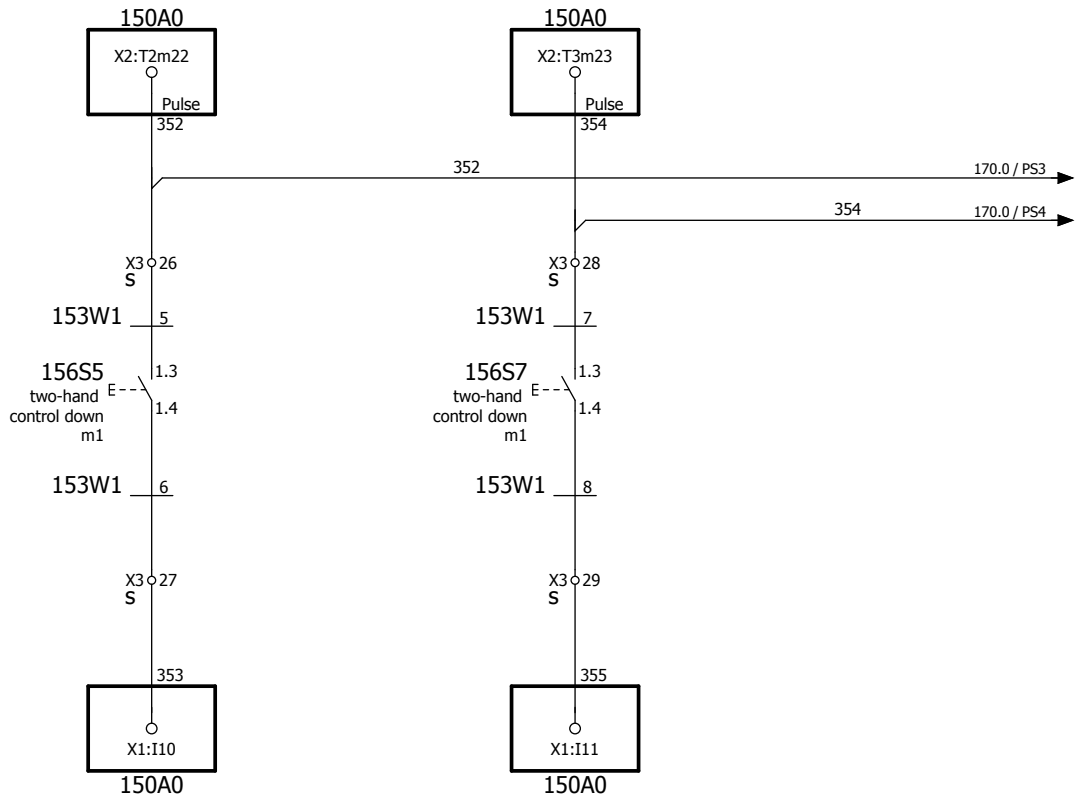
pulse emergency stop channel 1 pulse emergency stop channel 2 emergency stop channel 1 emergency stop channel 2

Last change: 12/87	1-10-2018	Revision: 03		Machine: GEA MultiFormer 600	= 00
Released:				Description: emergency stop circuit	+ EC00
Document number: 1000424726				Serial Number:	Page: 153



- | | | |
|----------------|----------------|----------------|
| 1 - 2 /410.1 | 1 - 2 /400.1 | 13 - 14 /102.3 |
| 3 - 4 /410.1 | 3 - 4 /400.1 | 21 - 22 |
| 5 - 6 /410.1 | 5 - 6 /400.1 | 33 - 34 /102.3 |
| 13 - 14 /102.1 | 13 - 14 /400.6 | 43 - 44 /155.8 |
| 21 - 22 | 21 - 22 | |
| 53 - 54 /102.1 | 53 - 54 | |
| 63 - 64 /612.5 | 61 - 62 | |
| 73 - 74 /612.7 | 73 - 74 /155.8 | |
| 83 - 84 /155.7 | 83 - 84 /400.3 | |

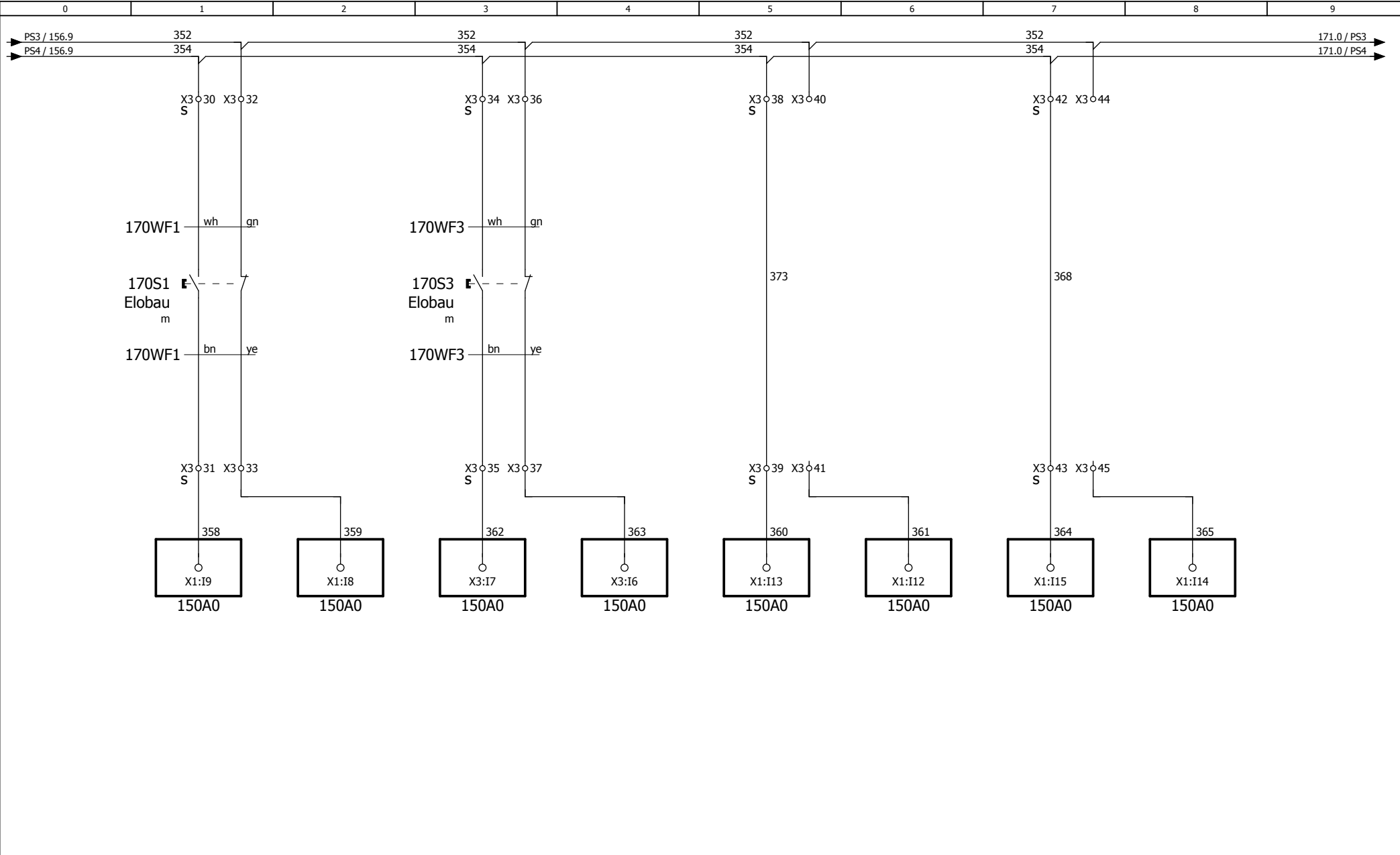
13/87	1-10-2018	Revision: 03		Description: emergency stop	Machine: GEA MultiFormer 600	= 00
Released:					Serial Number:	+ EC00
Document number: 1000424726						Page: 155

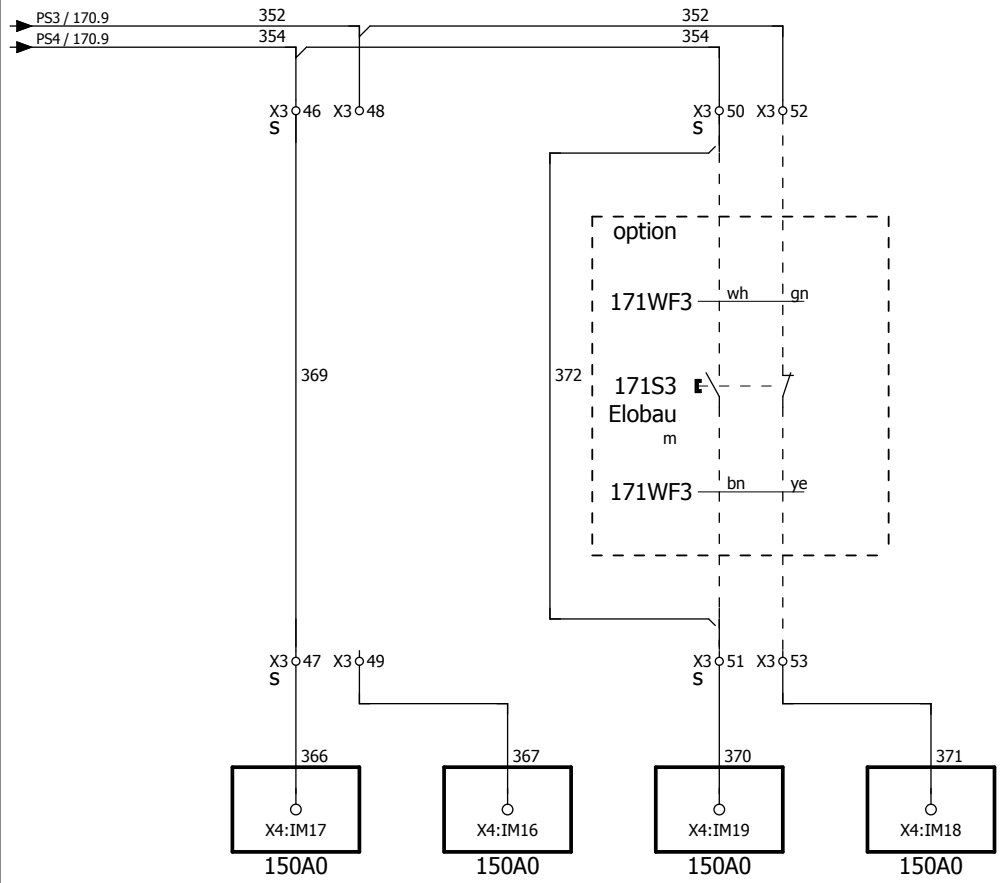


two-hand control
hopper channel 1

two-hand control
hopper channel 2

14/87	1-10-2018	Revision:		Description: emergency stop	Machine:	GEA MultiFormer 600 Serial Number:	= 00
Released:		03			+ EC00		
Document number:	1000424726				Page:		156





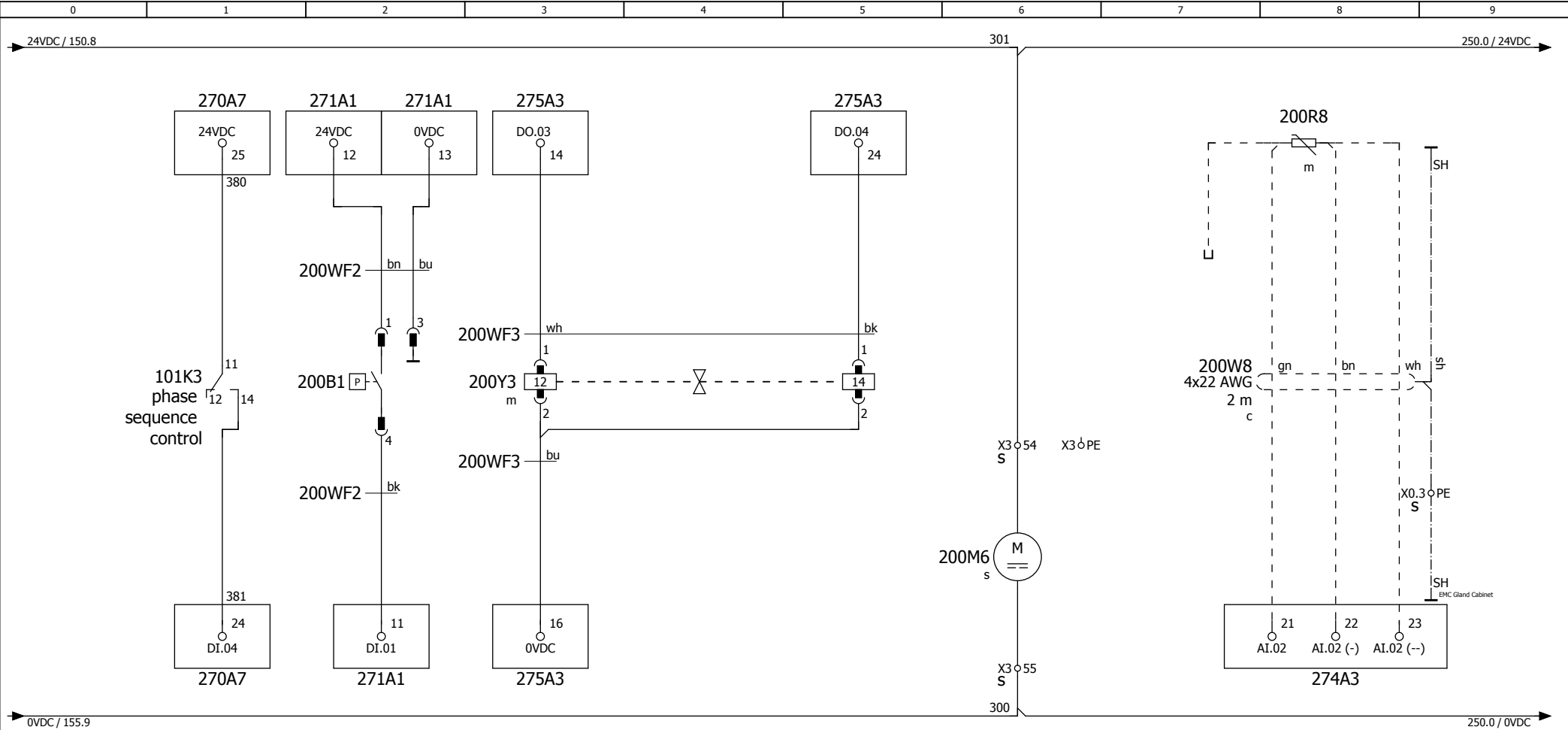
16/87	1-10-2018	Revision: 03		Description: safeguard	Machine: GEA MultiFormer 600	= 00
Released:					Serial Number:	+ EC00
Document number: 1000424726						Page: 171

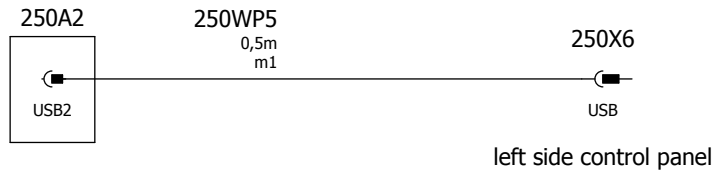
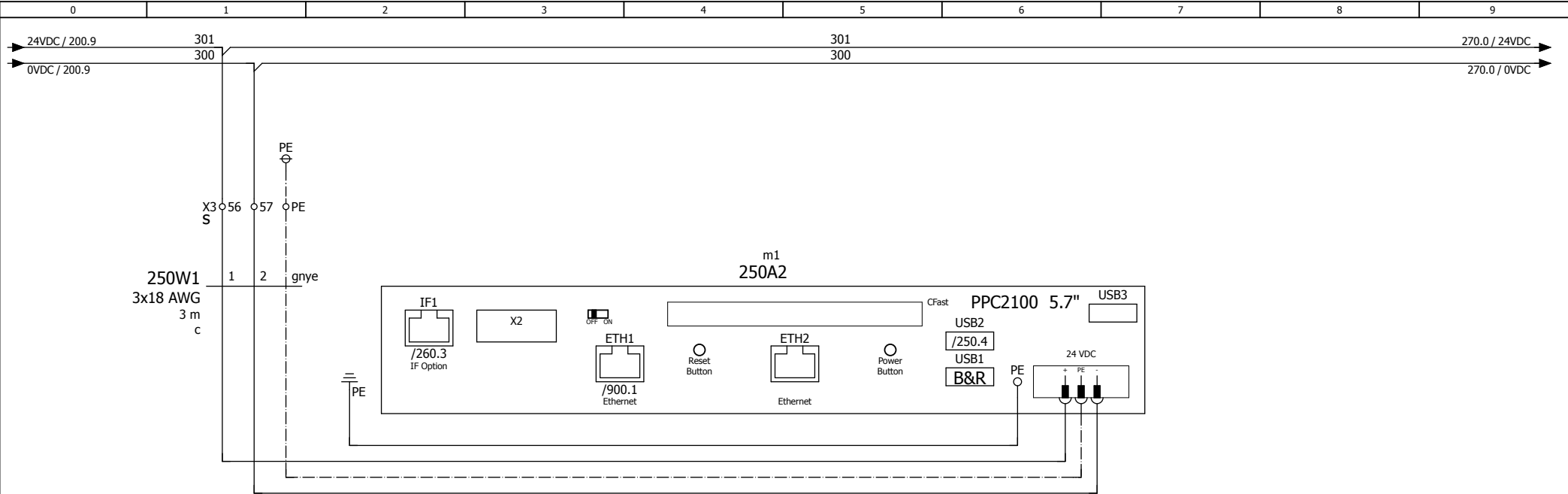
sensor hatch
channel 2

sensor hatch
channel 1

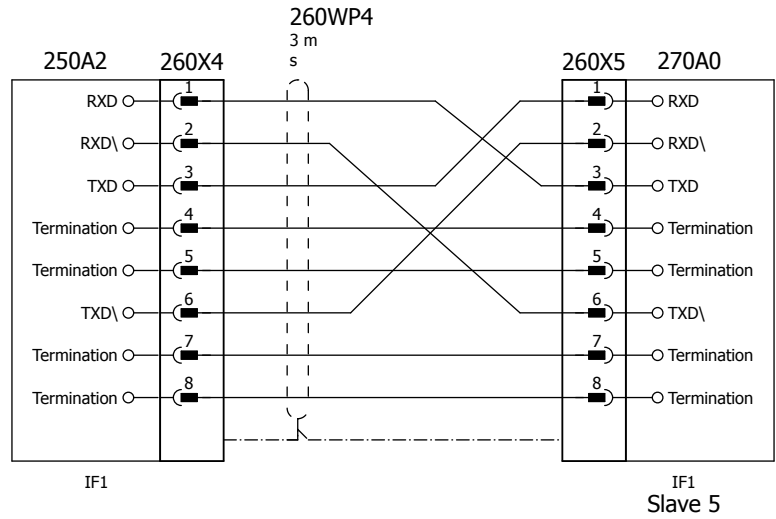
discharge device
position channel 2

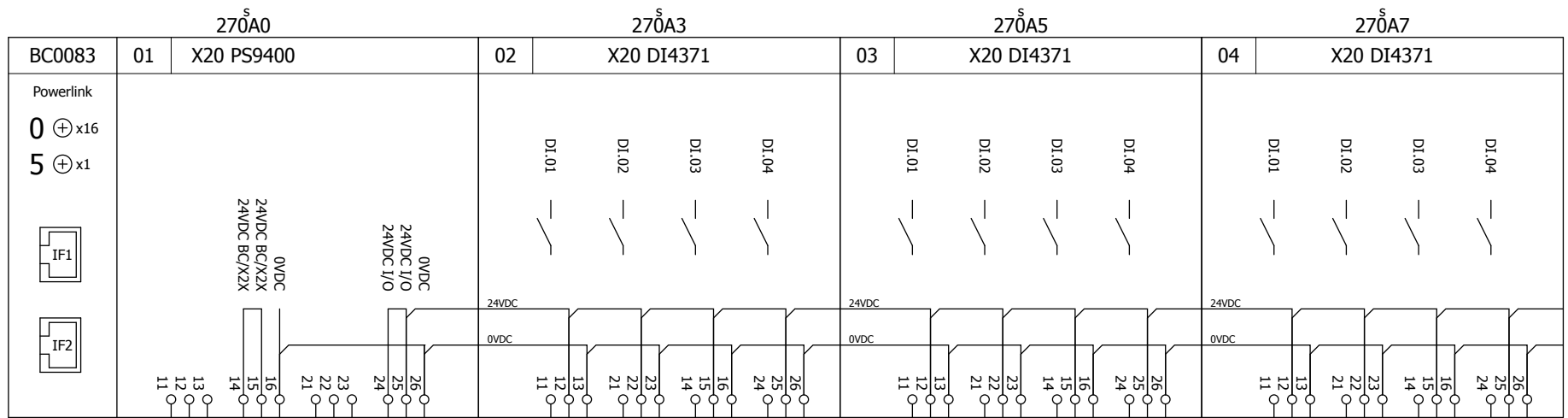
discharge device
position channel 1



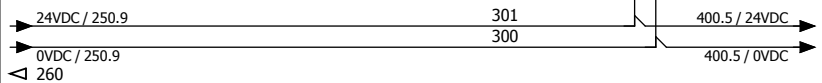


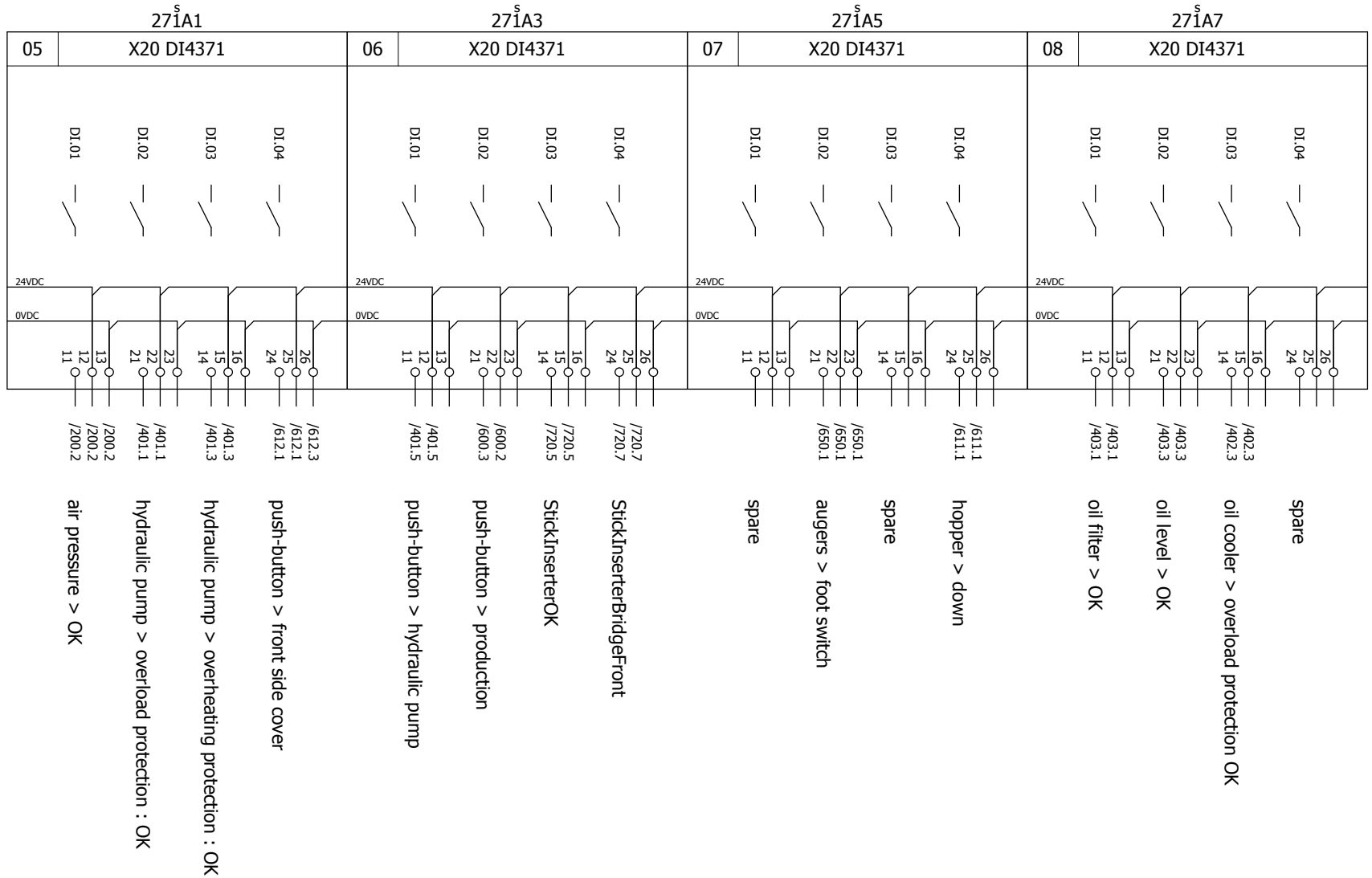
Last change: 18/87	1-10-2018	Revision: 03		Description: control panel	Machine: GEA MultiFormer 600	= 00
Released:					Serial Number:	+ EC00
Document number:	1000424726				Page:	250

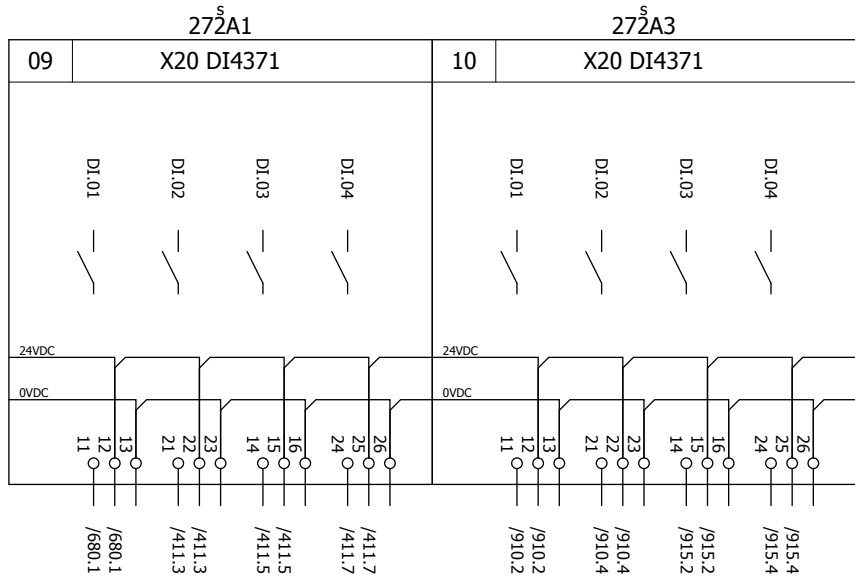




/260.6



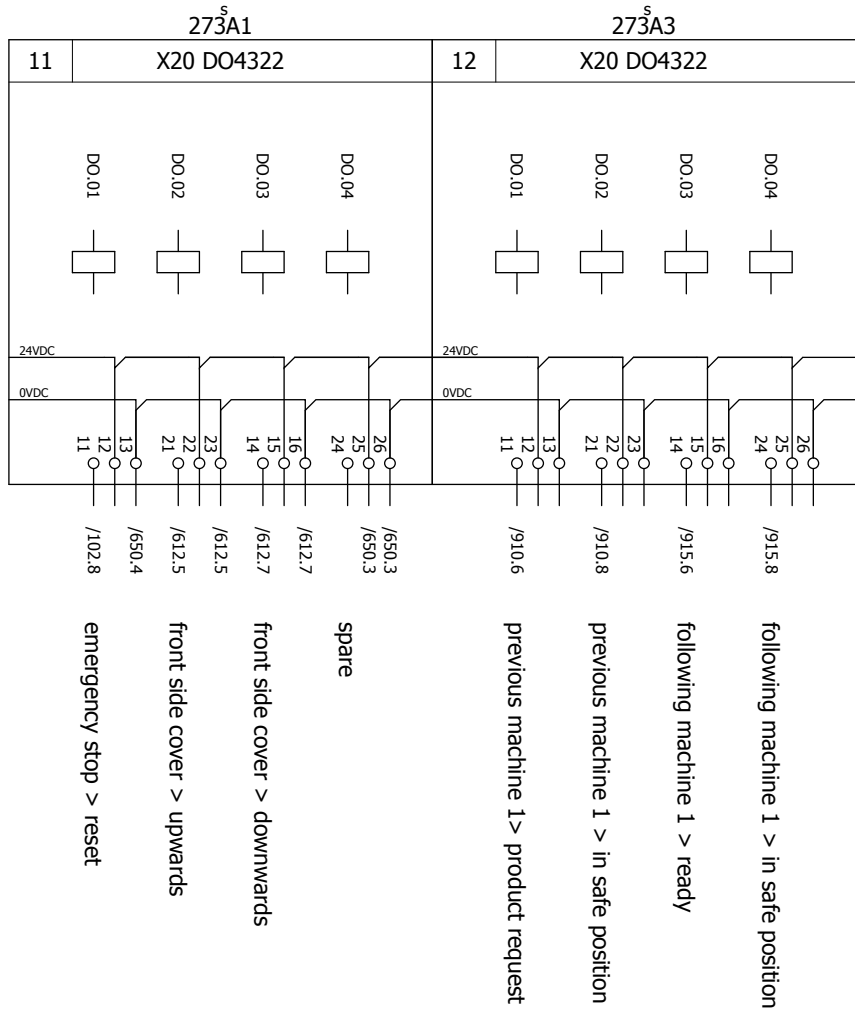


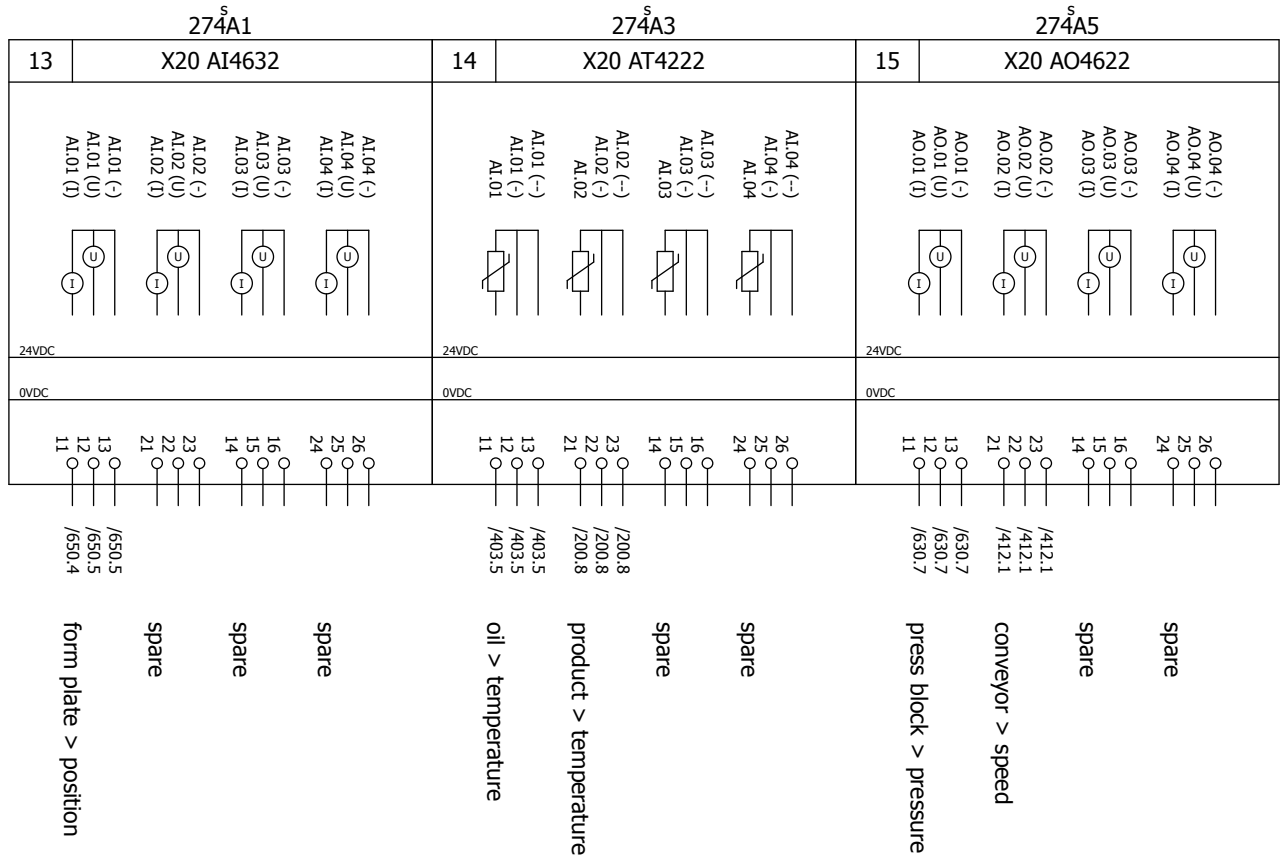


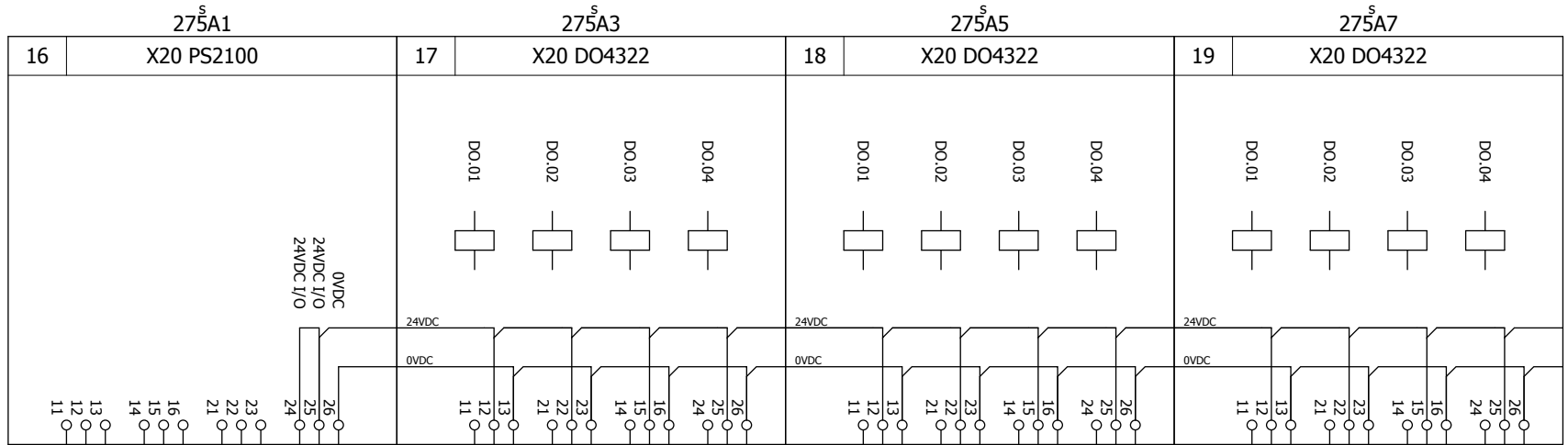
/680.1
 /680.1
 /411.3
 /411.3
 /411.5
 /411.5
 /411.7
 /411.7
 /910.2
 /910.2
 /910.4
 /910.4
 /915.2
 /915.2
 /915.4
 /915.4

synchronisation signal
 conveyor > overload protection : OK
 conveyor > overheating protection : OK
 conveyor > frequency converter : OK
 previous machine 1 > ready
 previous machine 1 > in safe position
 following machine 1 > product request
 following machine 1 > in safe position

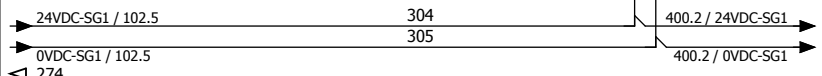


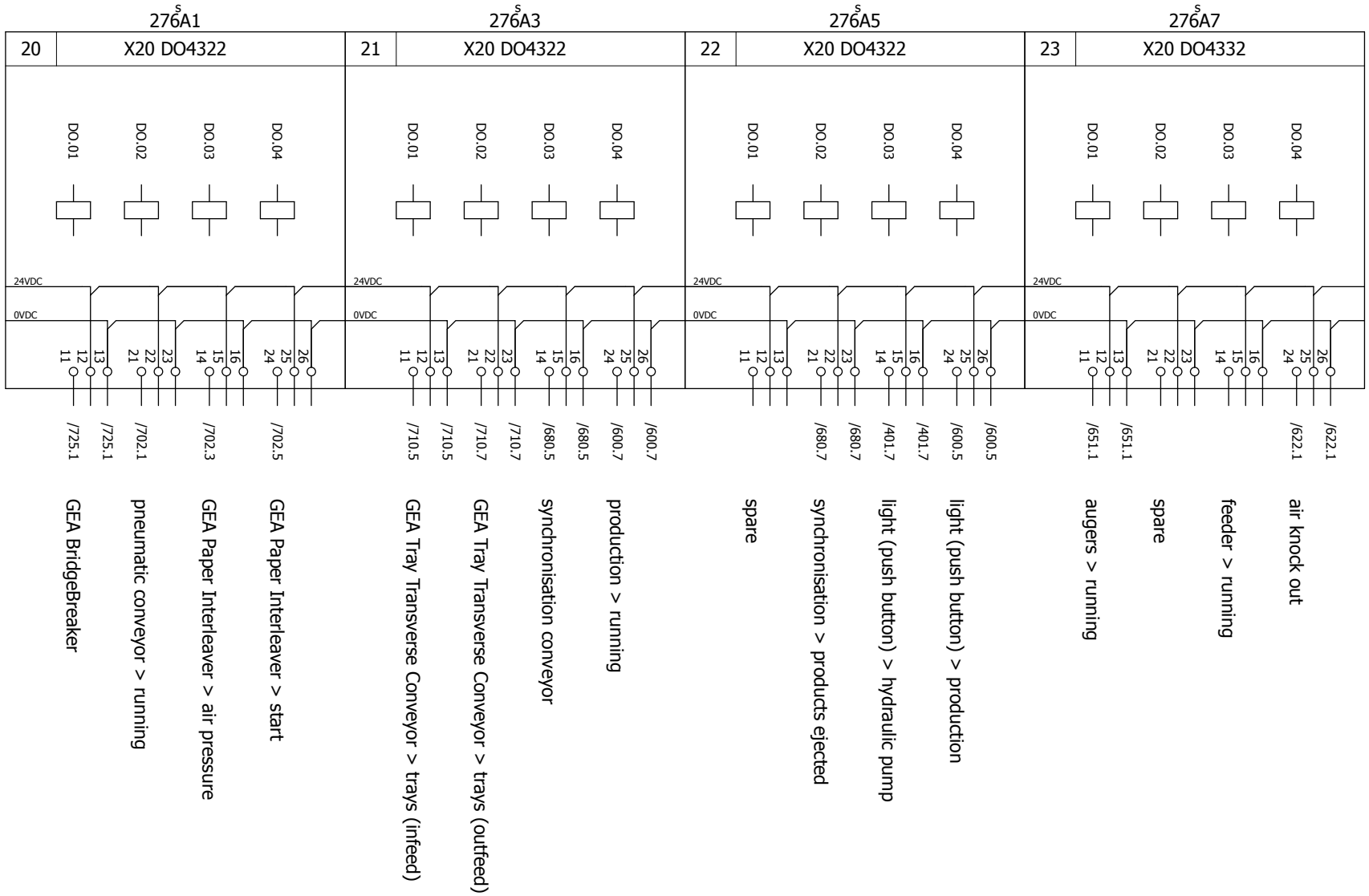






- DO.01 /402.5 oil cooler
- DO.02 /402.5 spare
- DO.03 /680.3 ready to eject
- DO.04 /680.3
- DO.01 /620.5 nozzle (knock out)
- DO.02 /620.5 spare
- DO.03 /670.1 nozzle (front side)
- DO.04 /670.1 nozzle (back side)
- DO.01 /200.5 spare
- DO.02 /200.5 spare
- DO.03 /200.3 air off
- DO.04 /200.3 air on
- DO.01 /400.6 start hydraulic pump
- DO.02 /400.6 spare



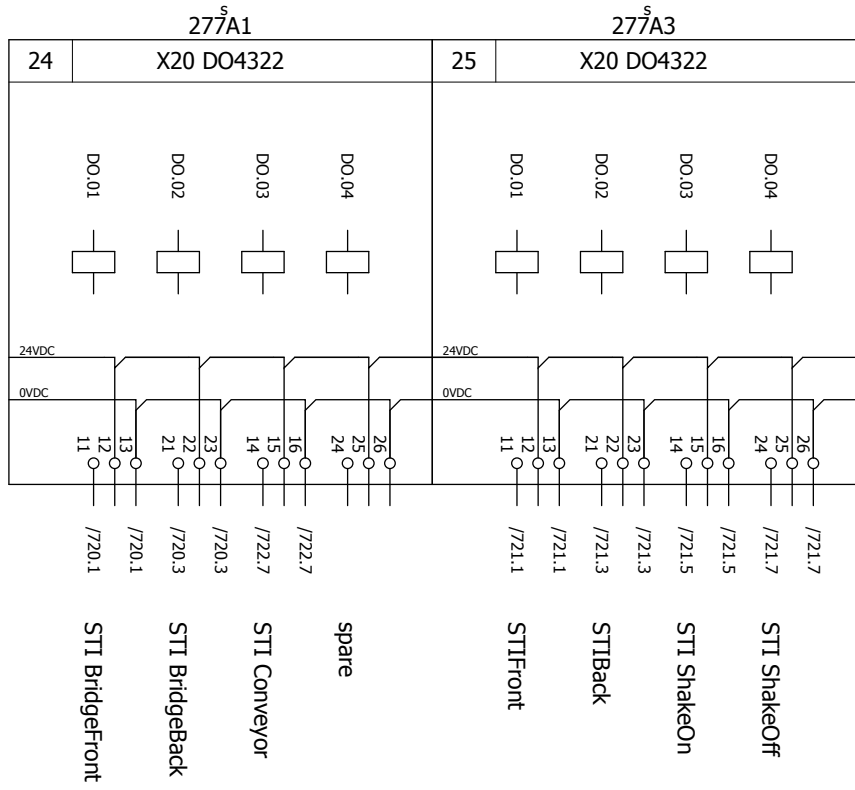


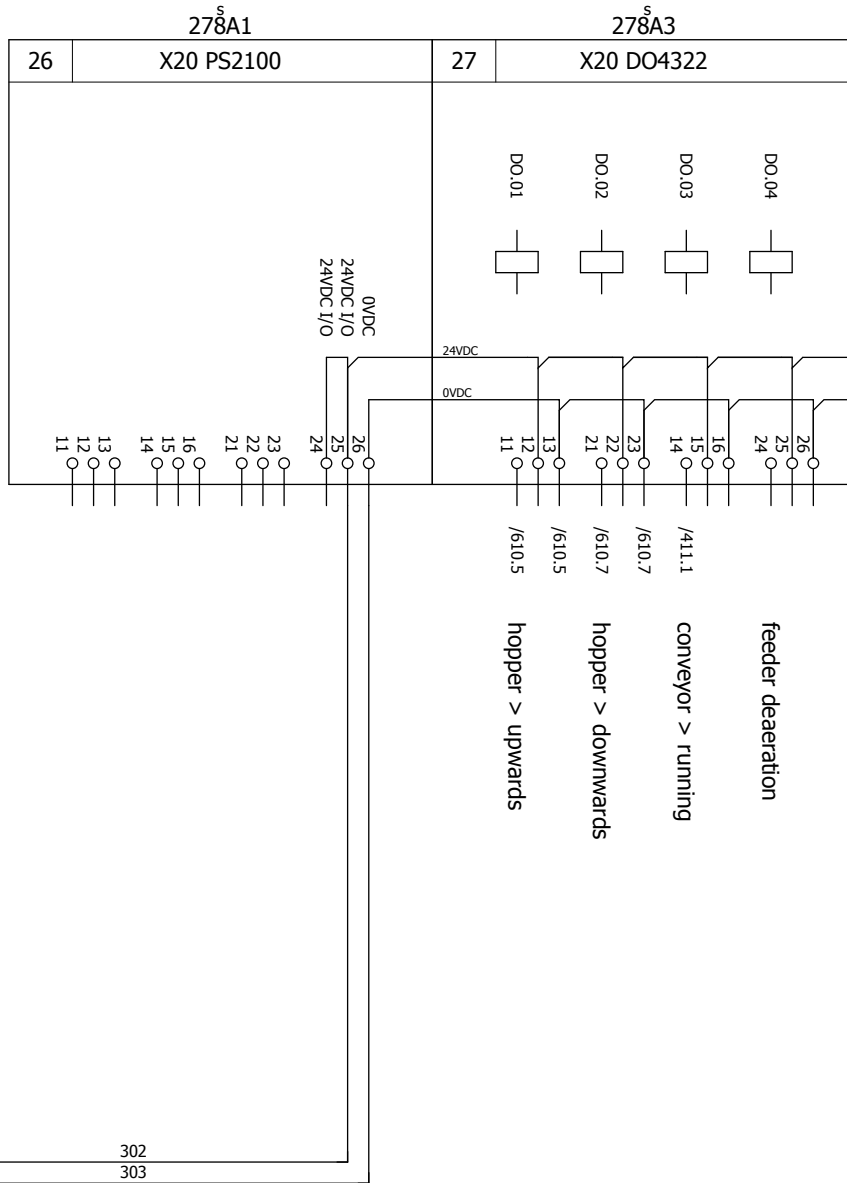
Released:	6-6-2018	Revision:	03
Document number:	1000424726		



Description:
plc overview slave 5

Machine:	GEA MultiFormer 600	= 00
Serial Number:		+ EC00
		Page: 276





24VDC-ES1 / 102.3 302
 0VDC-ES1 / 102.3 303
 277

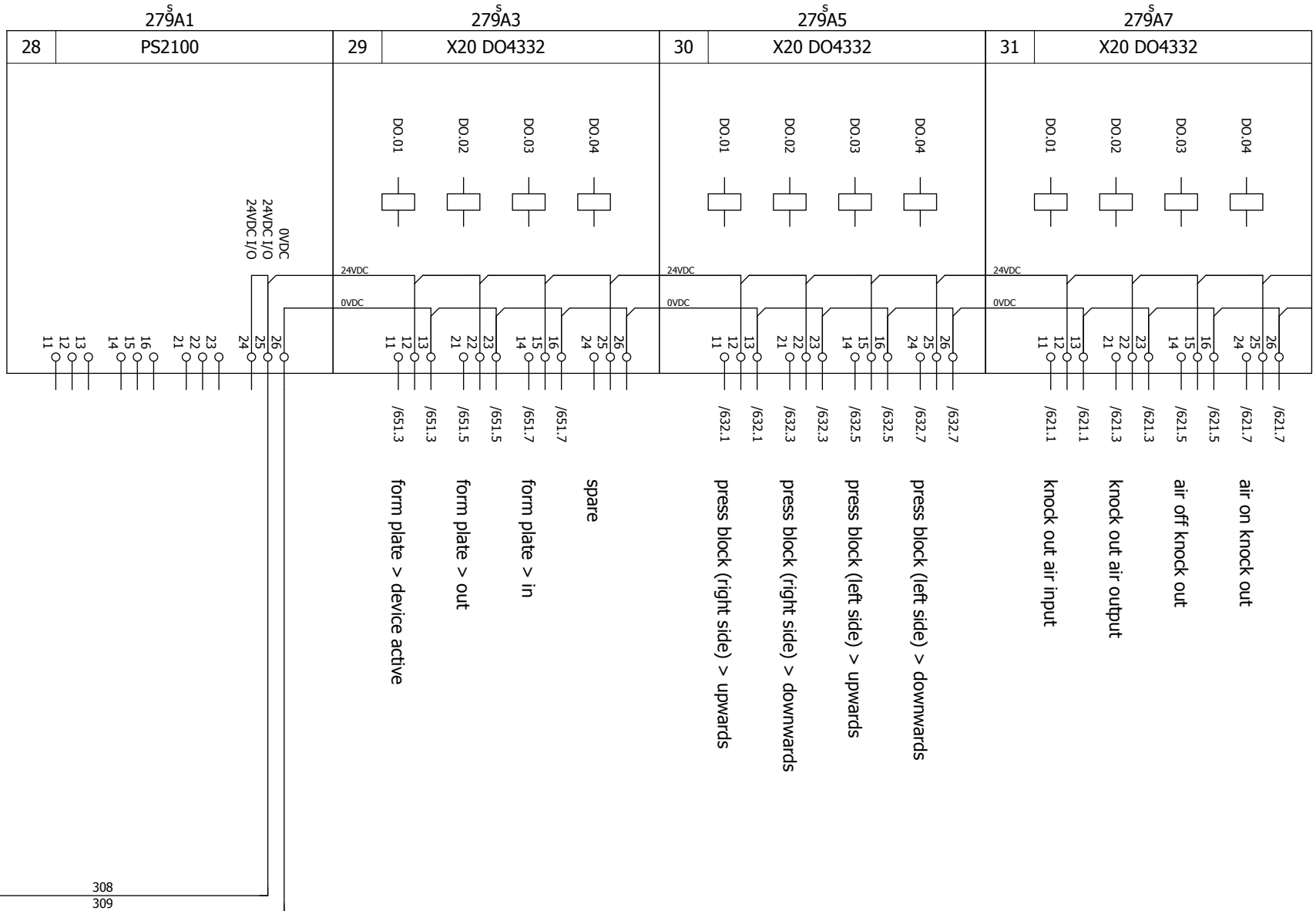
28/87	16-8-2018	Revision:
Released:		03
Document number:	1000424726	



Description:
 plc overview slave 5

Machine:	GEA MultiFormer 600
Serial Number:	

= 00
+ EC00
Page: 278



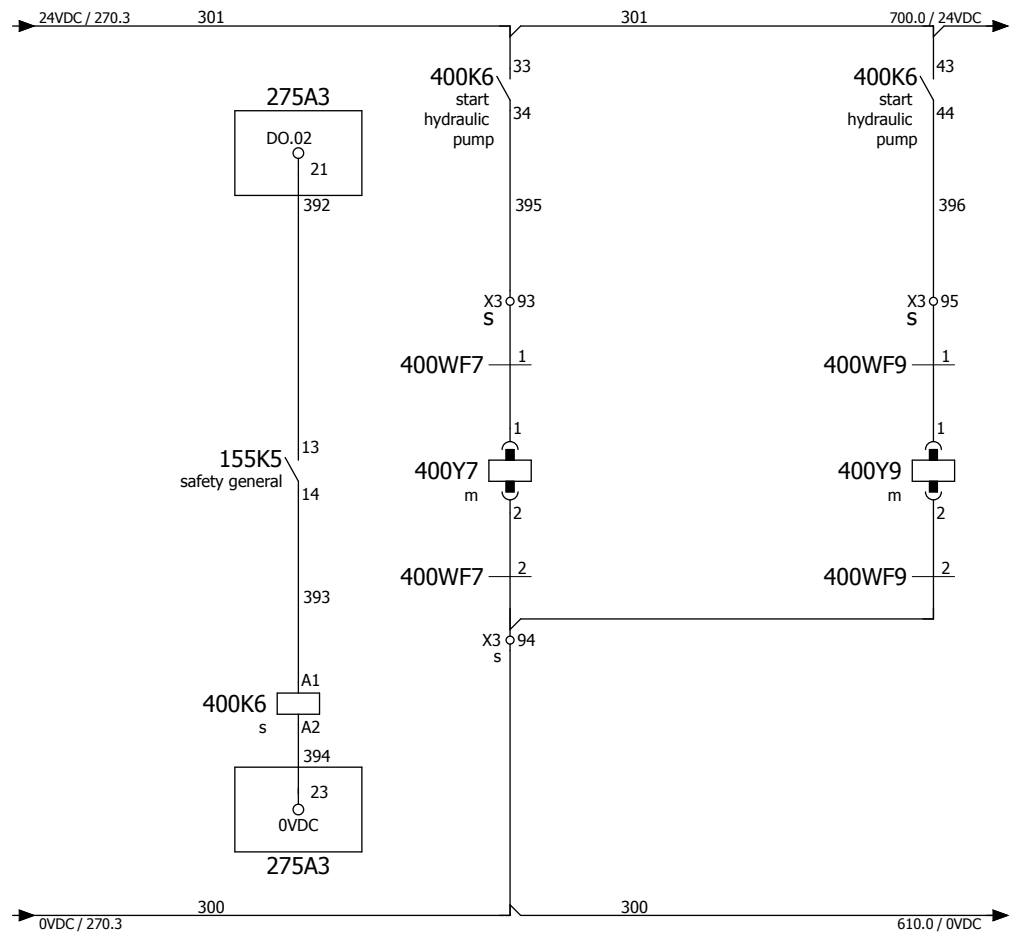
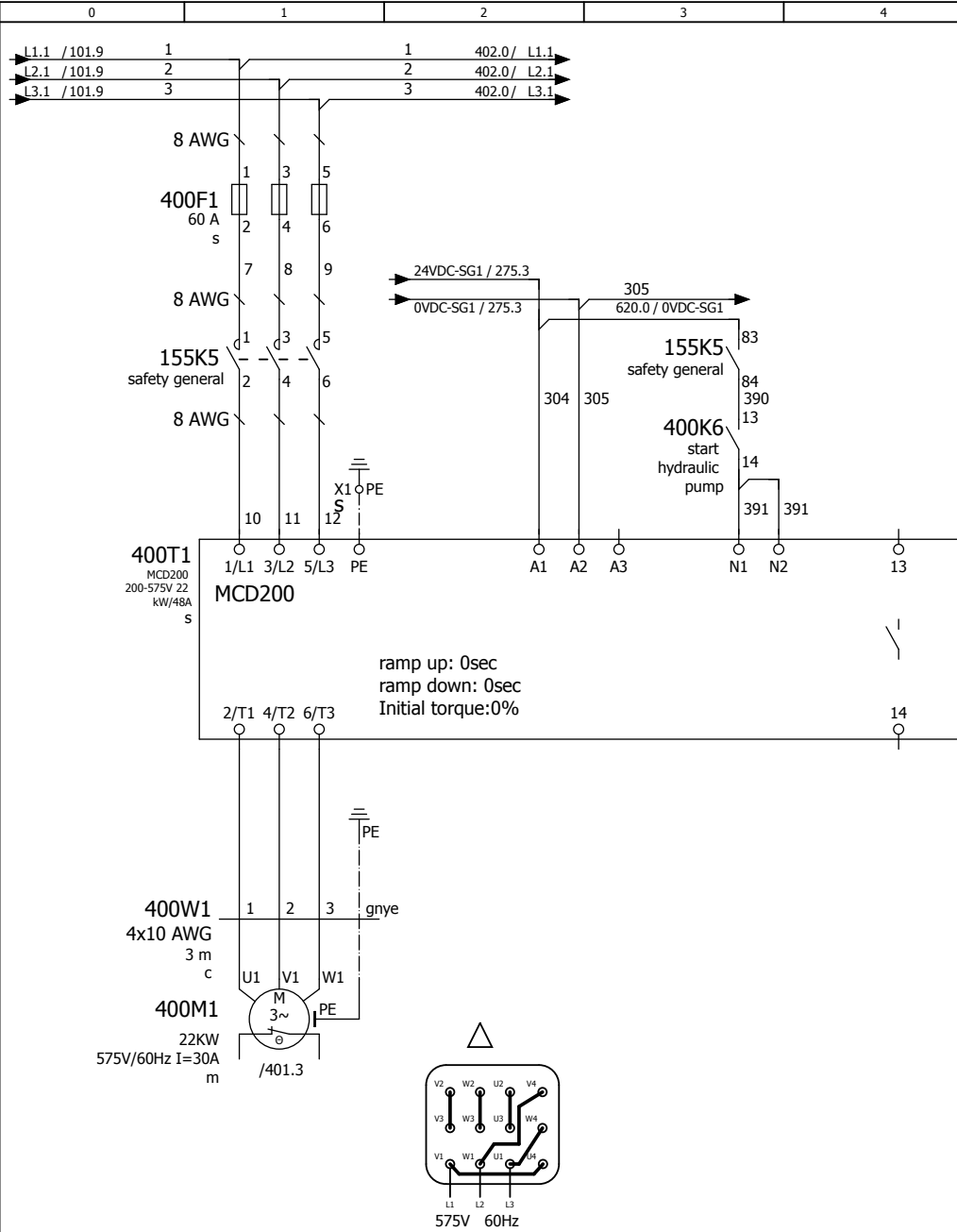
24VDC-HD1 / 102.7 308
 0VDC-HD1 / 102.7 309
 278

29/87	6-6-2018	Revision: 03
Released:		
Document number:	1000424726	

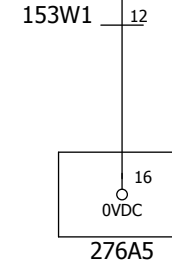
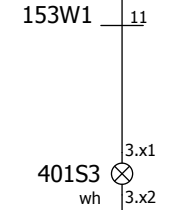
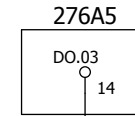
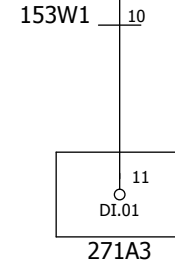
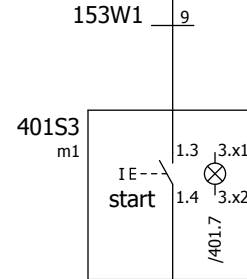
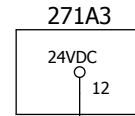
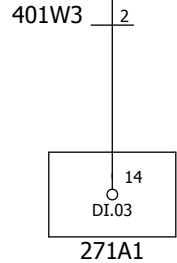
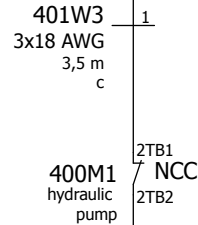
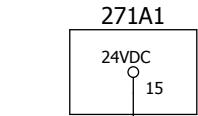
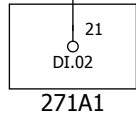
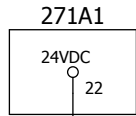


Description: plc overview slave 5

Machine: GEA MultiFormer 600
 Serial Number:



30/87	21-11-2018	Revision: 03		Description: hydraulic system	Machine: GEA MultiFormer 600	= 00
Released:					Serial Number:	+ EC00
Document number:	1000424726					Page: 400



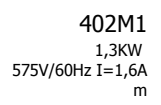
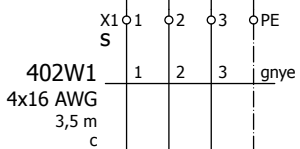
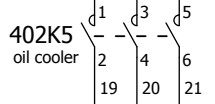
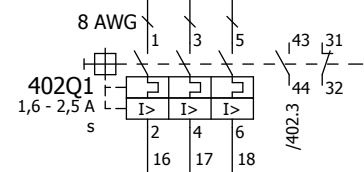
hydraulic pump >
overload protection
: OK

hydraulic pump >
overheating
protection : OK

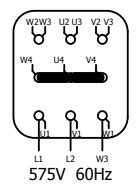
push-button >
hydraulic pump

light (push button)
> hydraulic pump

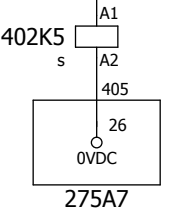
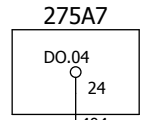
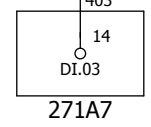
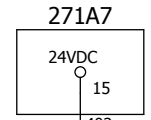
31/87	21-8-2018	Revision: 03		Description: hydraulic system	Machine: GEA MultiFormer 600	= 00
Released:					Serial Number:	+ EC00
Document number: 1000424726					Page: 401	



If water cooling device
Do Not connect 402M1



oil cooler >
overload protection
OK



- 1 - 2 /402.1
- 3 - 4 /402.1
- 5 - 6 /402.1
- 21 - 22

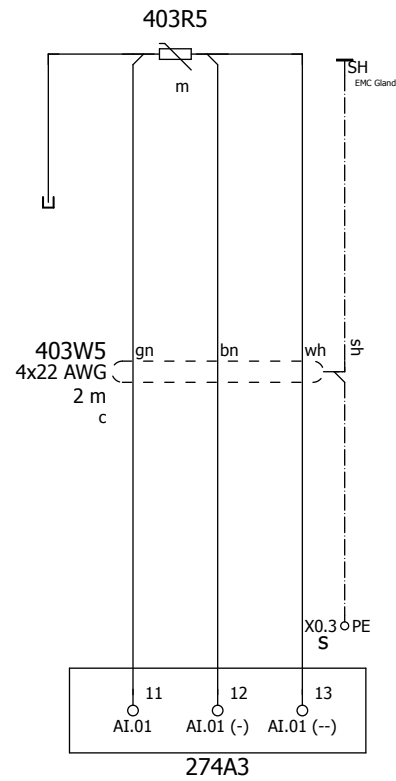
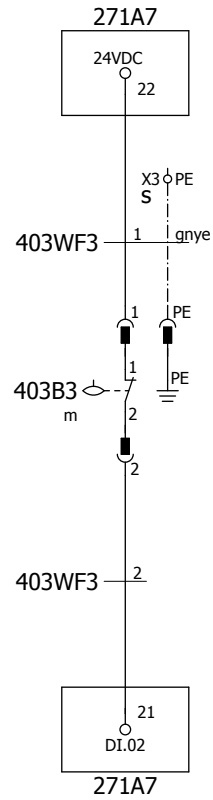
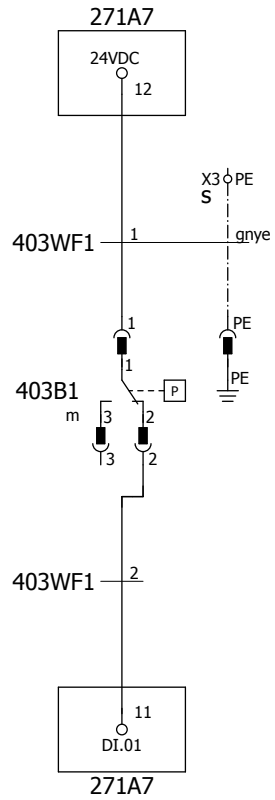
32/87	19-11-2018	Revision:
Released:		03
Document number:	1000424726	



Description:
hydraulic system oil cooler

Machine:	GEA MultiFormer 600
Serial Number:	

= 00
+ EC00
Page: 402

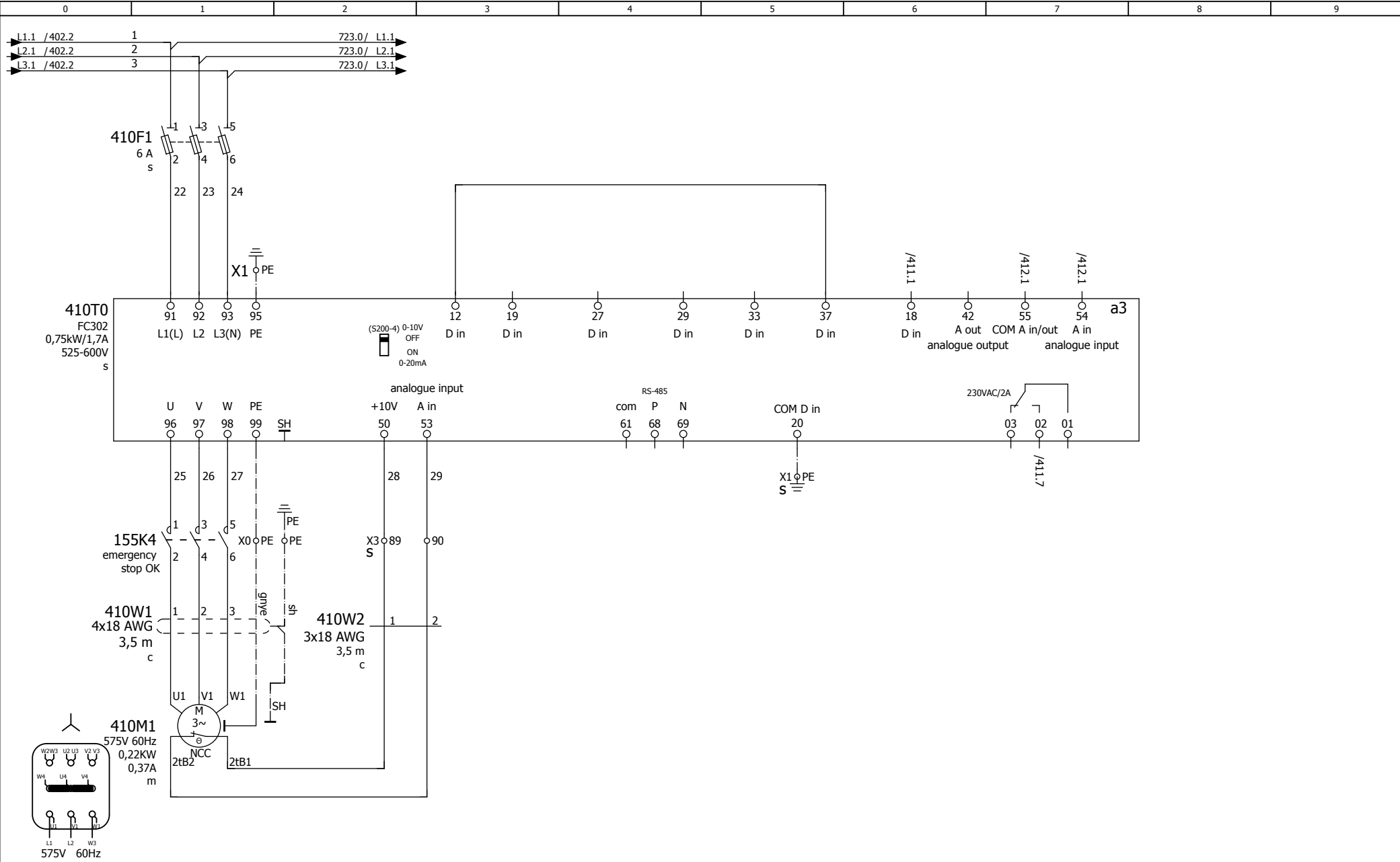


33/87	1-10-2018	Revision:
Released:		03
Document number:	1000424726	



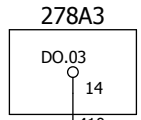
Description:
hydraulic system oil cooler

Machine:	= 00
GEA MultiFormer 600	+ EC00
Serial Number:	Page: 403

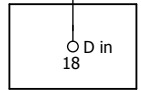


403 conveyor klixon speed + speed - warning start / stop conveyor alarm in safety 411

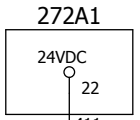
34/87	25-3-2019	Revision: 03		Description: conveyor	Machine: GEA MultiFormer 600	= 00
Released:					Serial Number:	+ EC00
Document number:	1000424726				Page: 410	



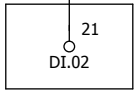
410



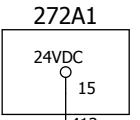
410T0



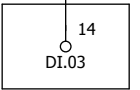
411



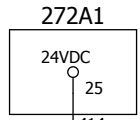
272A1



413



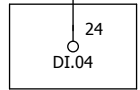
272A1



414



415



272A1

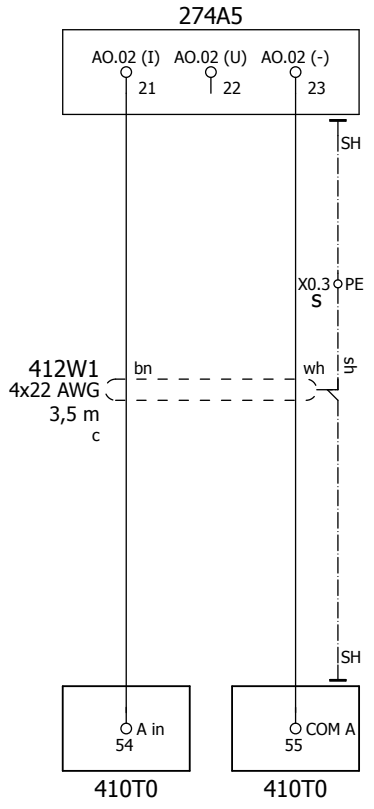


conveyor >
overload protection
: OK

conveyor >
overheating
protection : OK

conveyor >
frequency converter
: OK

conveyor > running



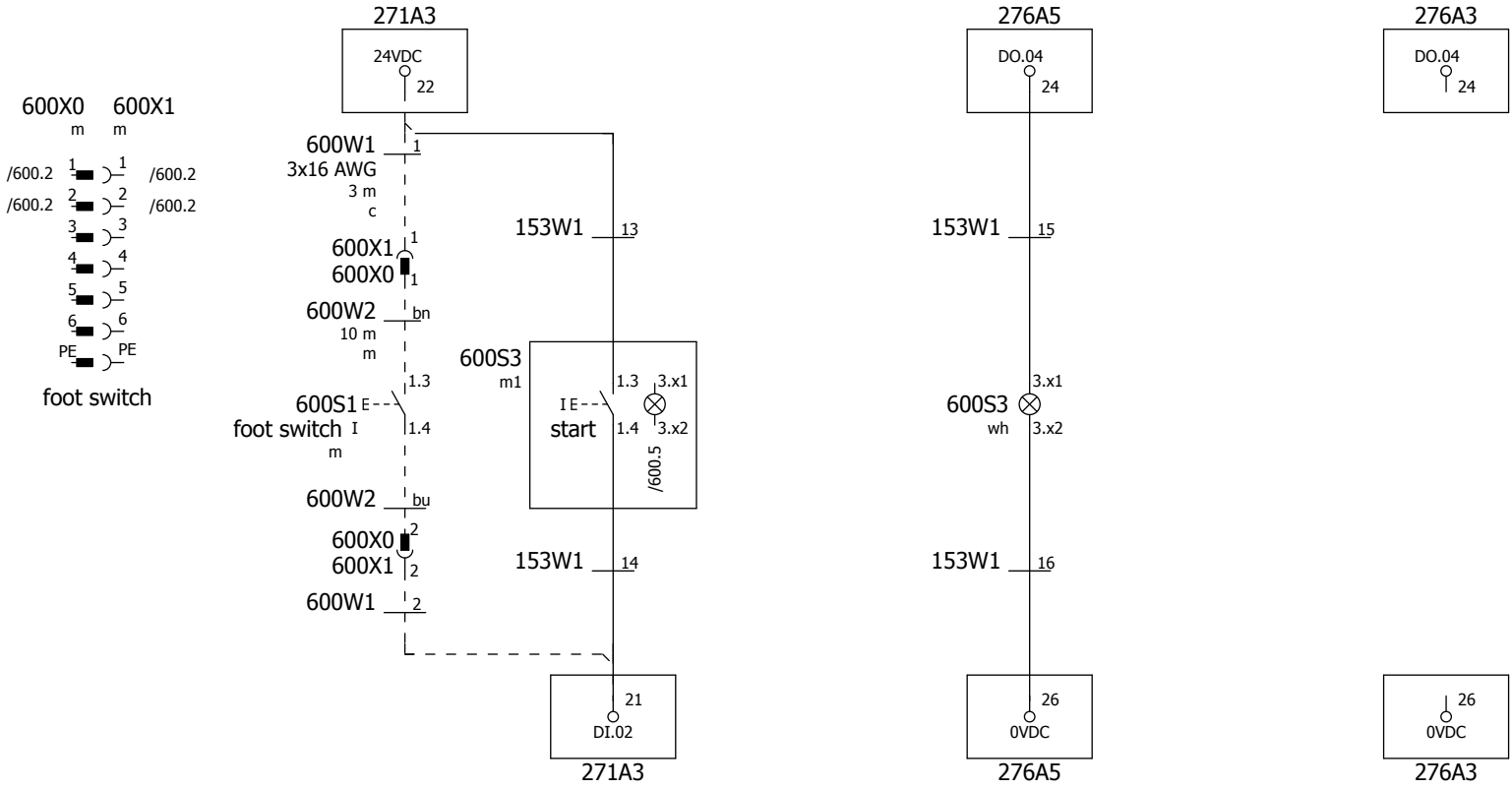
Released:	1-2-2019	Revision:	03
Document number:	1000424726		



Description:
conveyor

Machine:	GEA MultiFormer 600
Serial Number:	

= 00
+ EC00
Page: 412

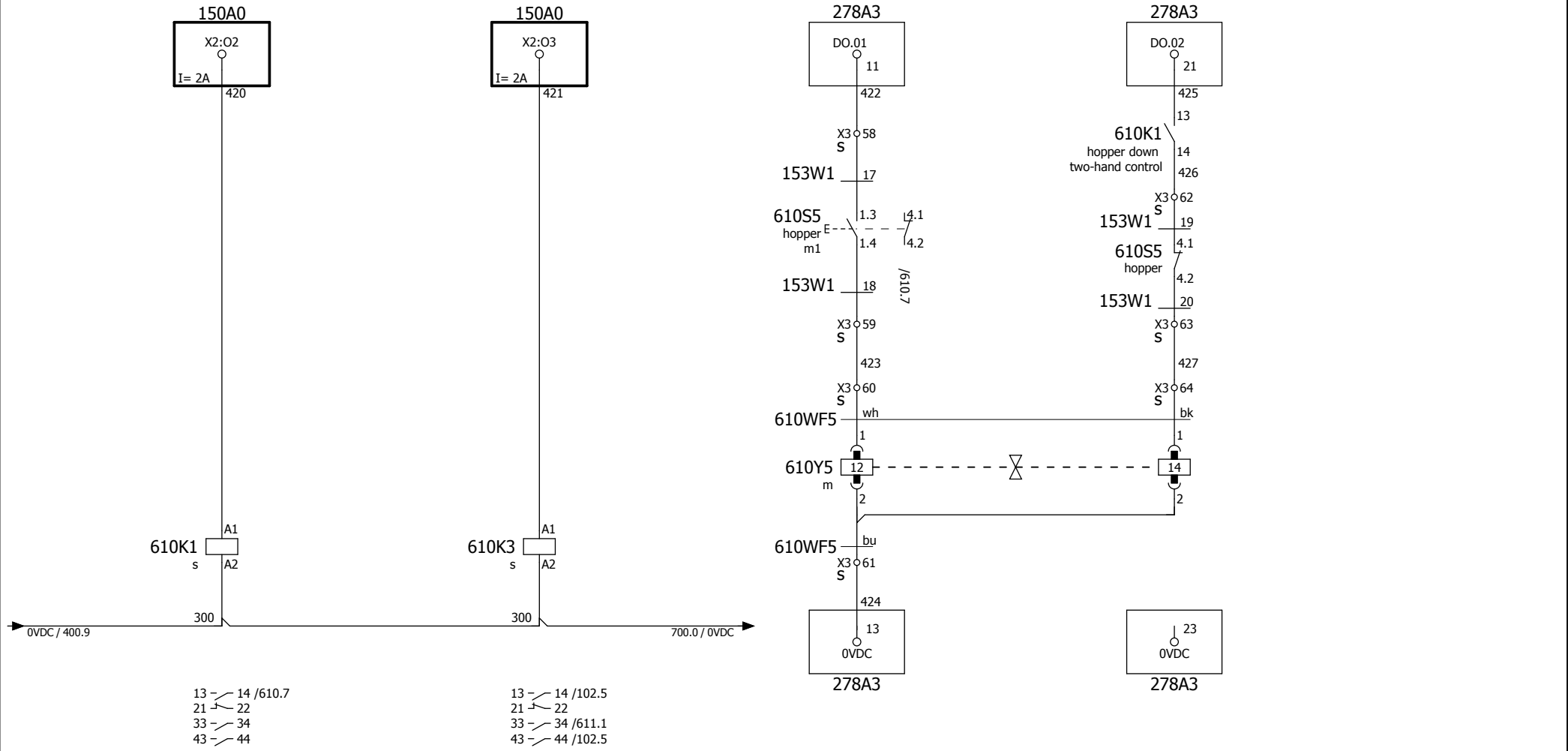


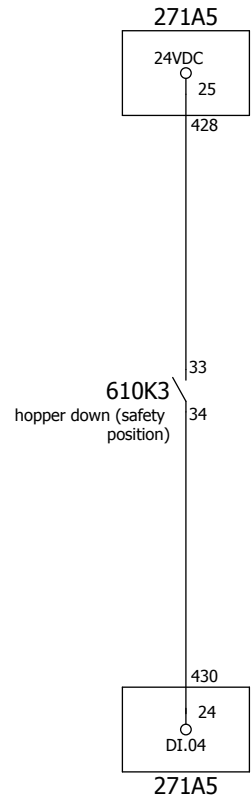
push-button >
 production




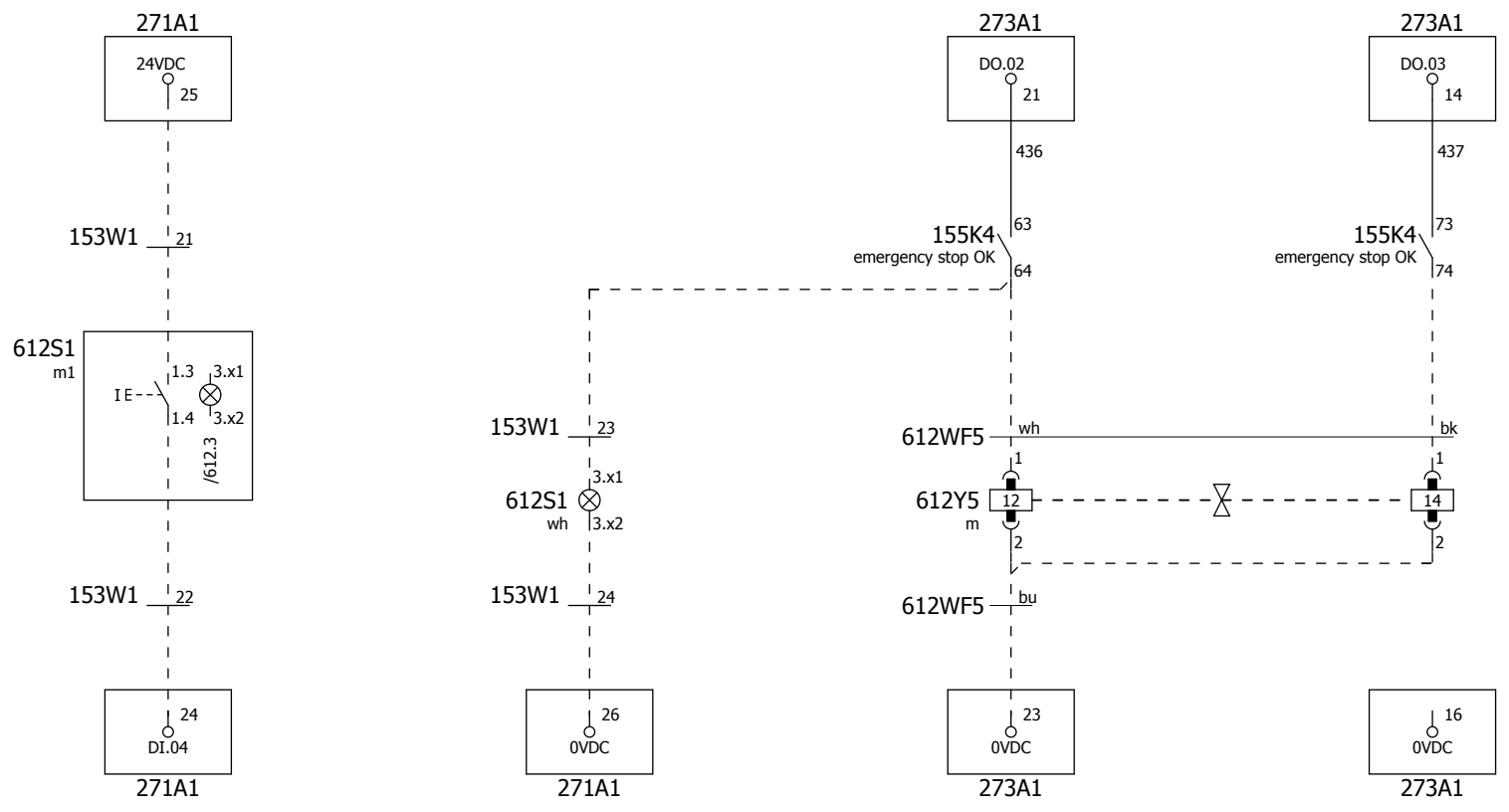
light (push button)
 > production

production >
 running





39/87	21-5-2015	Revision:		Description: hopper	Machine:	GEA MultiFormer 600	= 00
Released:	03	Serial Number:			+ EC00		
Document number:	1000424726	Page:			611		



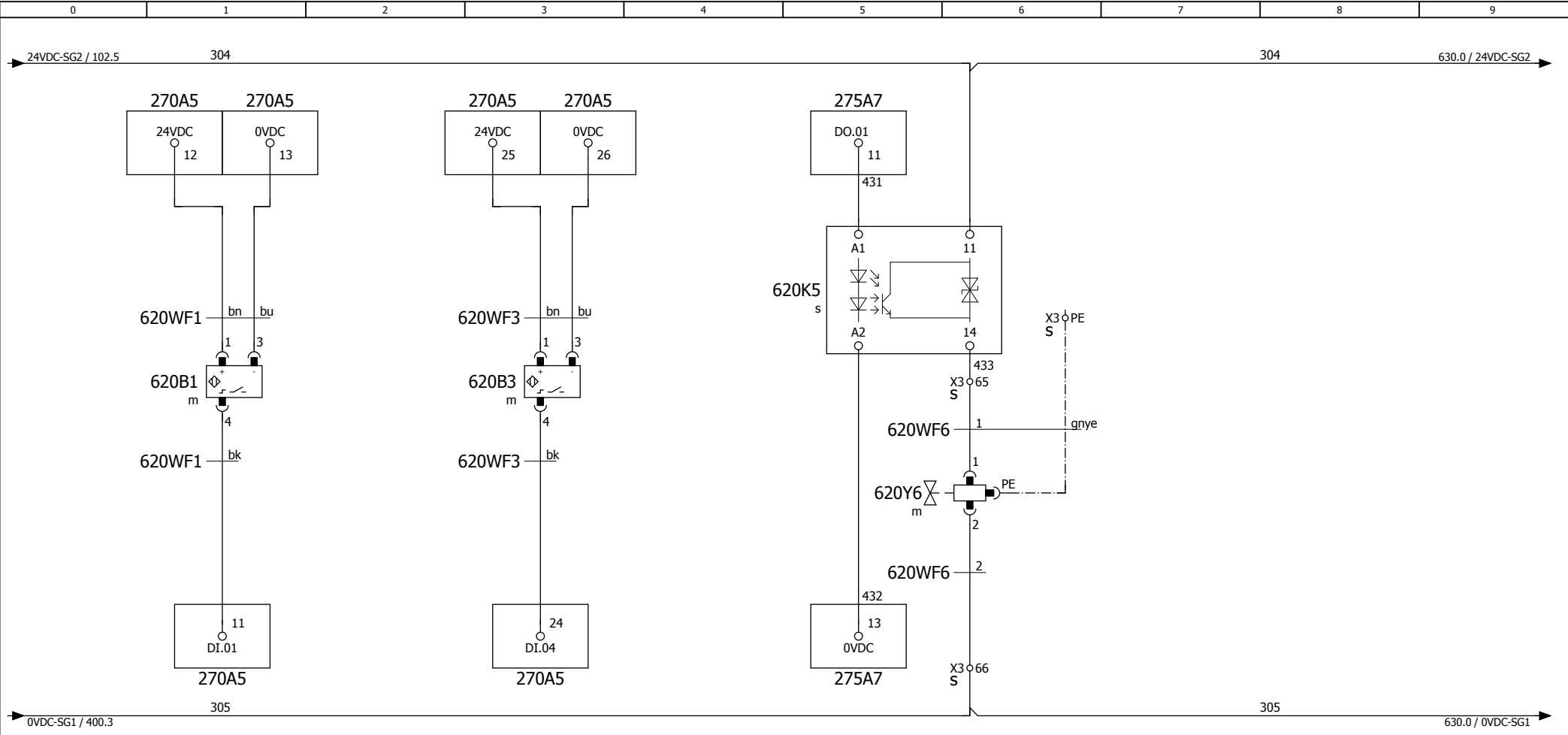
option MultiFormer 900

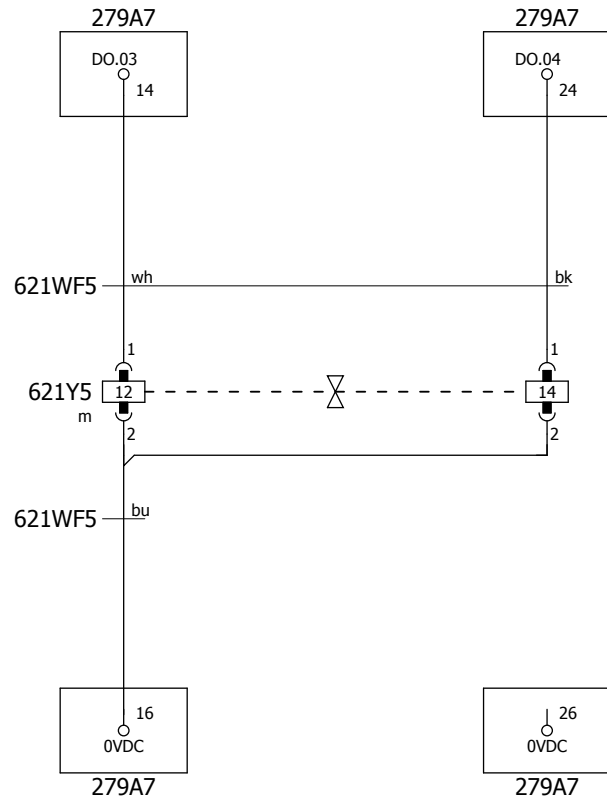
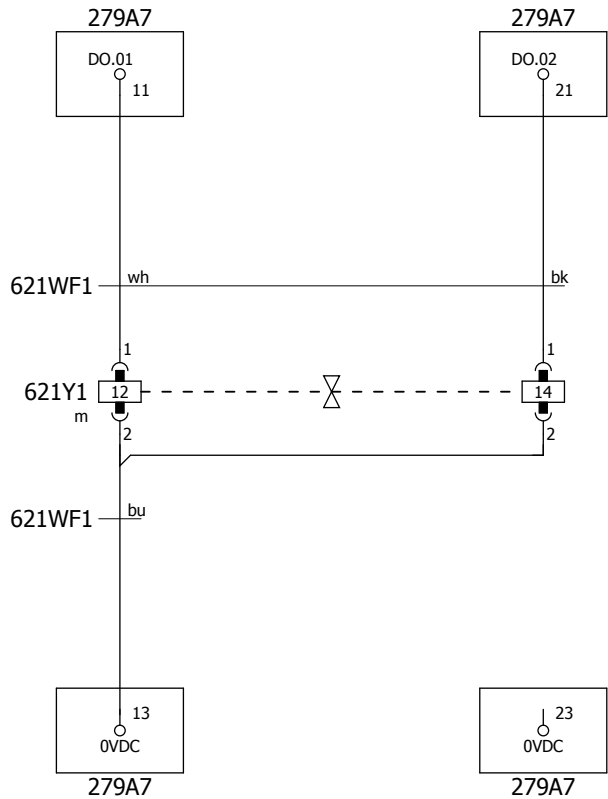
push-button > front side cover

front side cover > upwards

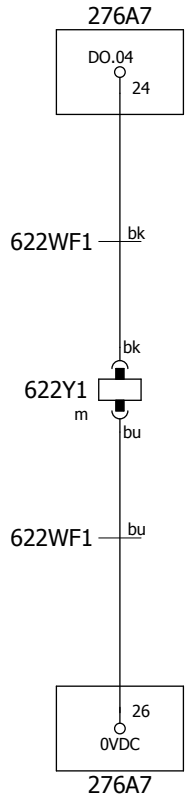
front side cover > downwards

Released:	27-8-2018	Revision: 03		Description: front side cover	Machine: GEA MultiFormer 600	= 00
Document number:	1000424726				Serial Number:	+ EC00
						Page: 612

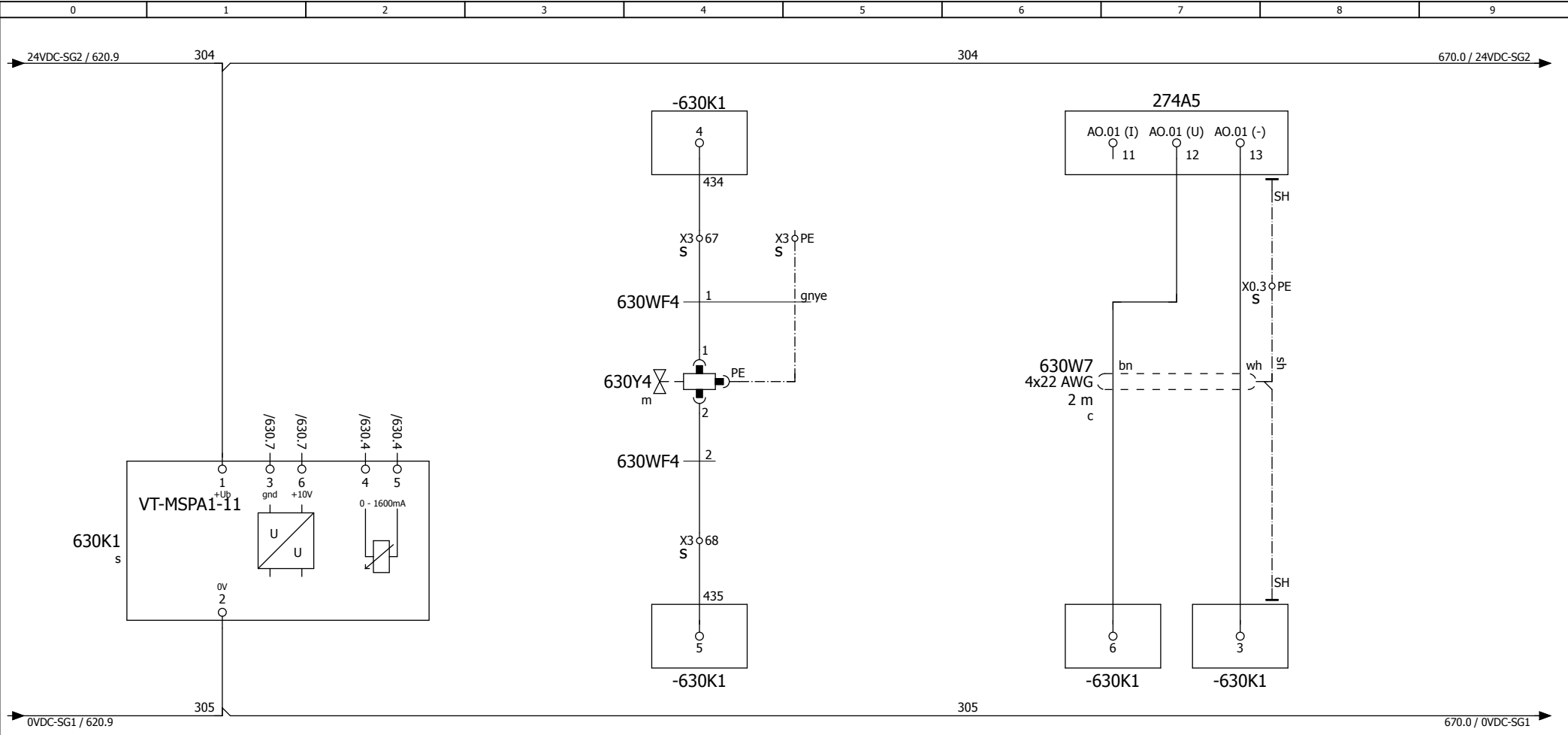


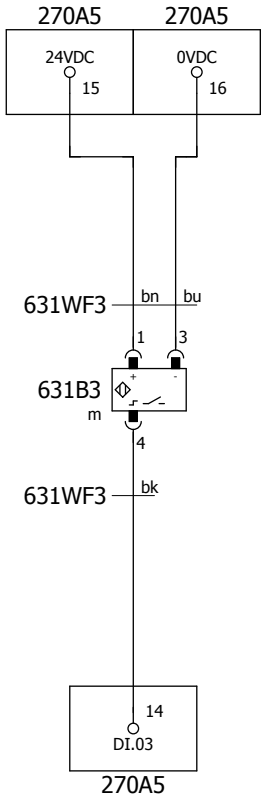
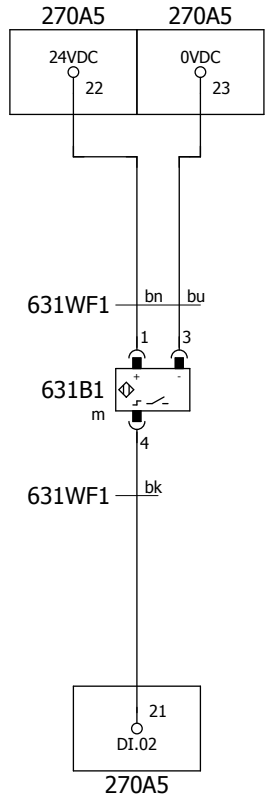


42/87	5-5-2015	Revision: 03		Description: knock out	Machine: GEA MultiFormer 600	= 00
Released:					Serial Number:	+ EC00
Document number: 1000424726						Page: 621




Last change: 43/87	16-8-2018	Revision: 03		Description: knock out	Machine: GEA MultiFormer 600	= 00
Released:					Serial Number:	+ EC00
Document number:	1000424726					Page: 622

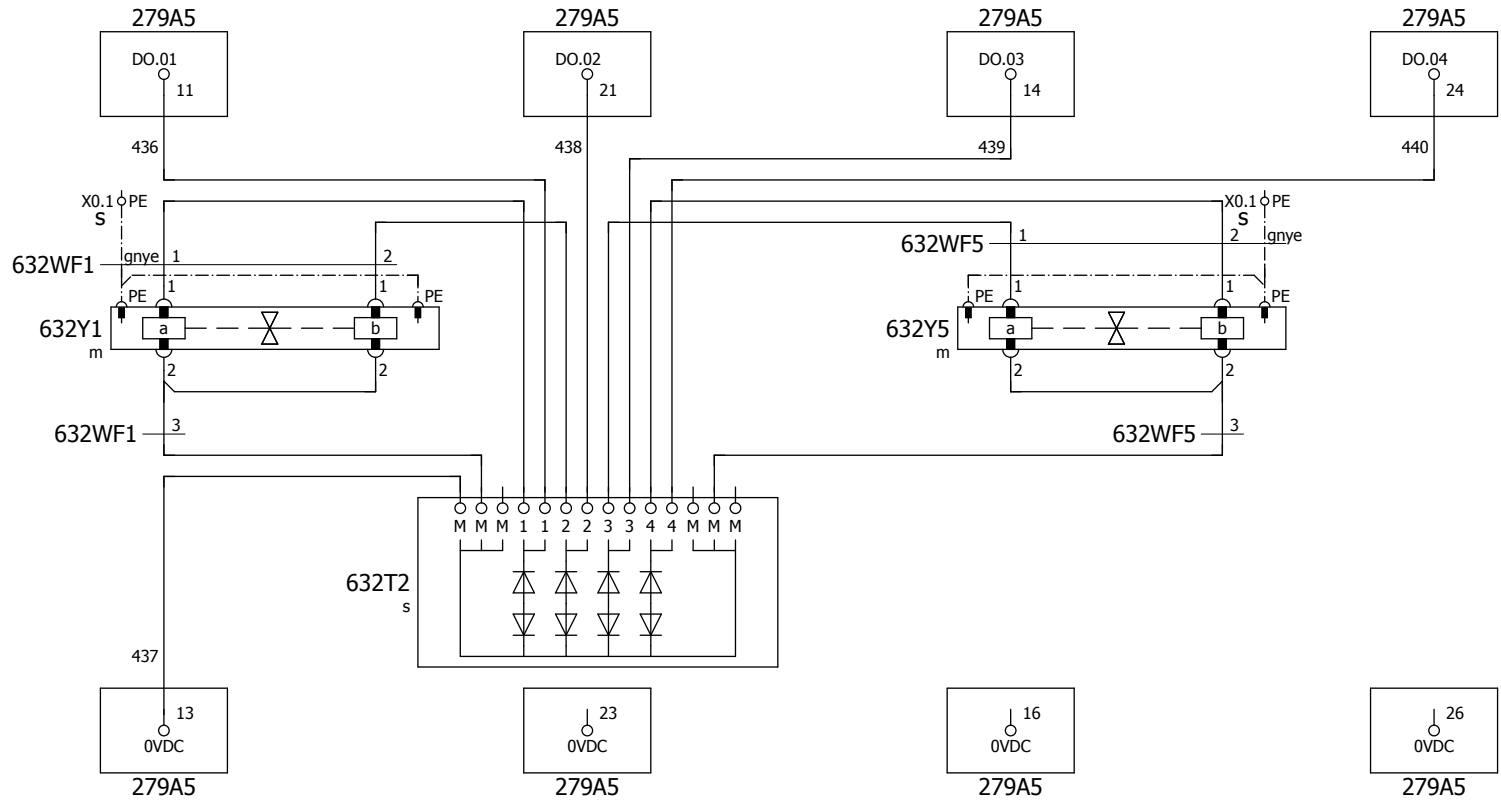




press block (right side) > down

press block (left side) > down

Last change: 45/87	13-4-2015	Revision: 03		Description: press block	Machine: GEA MultiFormer 600	= 00
Released:					Serial Number:	+ EC00
Document number: 1000424726						Page: 631



◀ 631
650 ▶

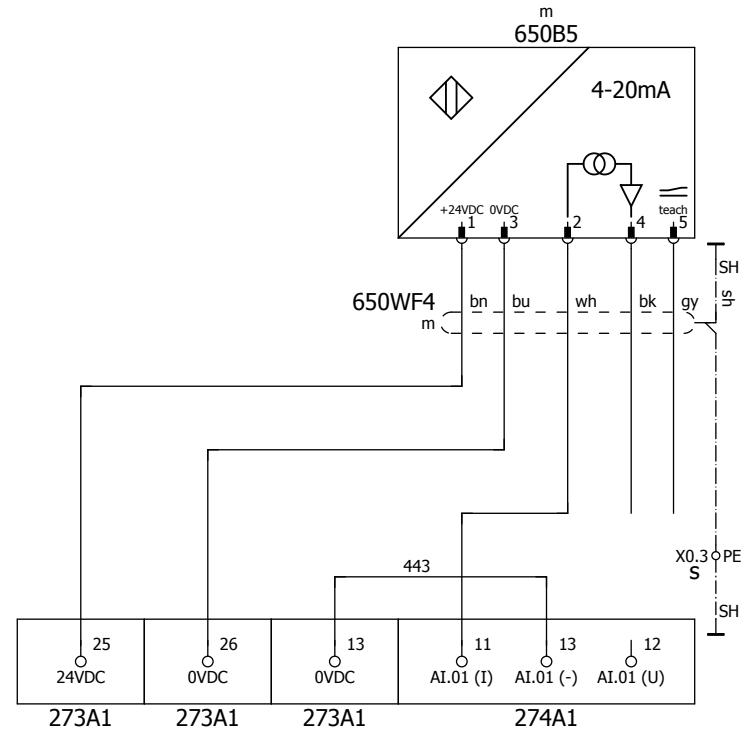
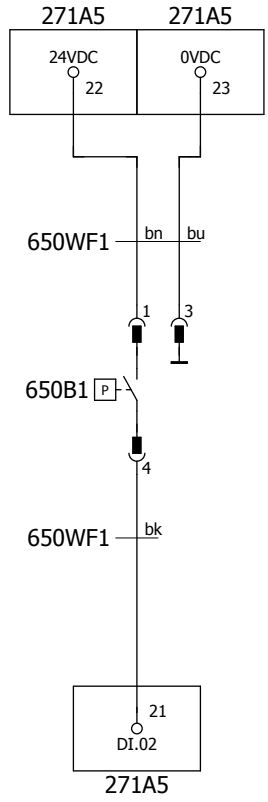
46/87 Last change Released:	6-6-2018 Revision: 03		Description: press block	Machine: GEA MultiFormer 600 Serial Number:	= 00 + EC00 Page:
Document number:	1000424726		632		

press block (right side) > upwards

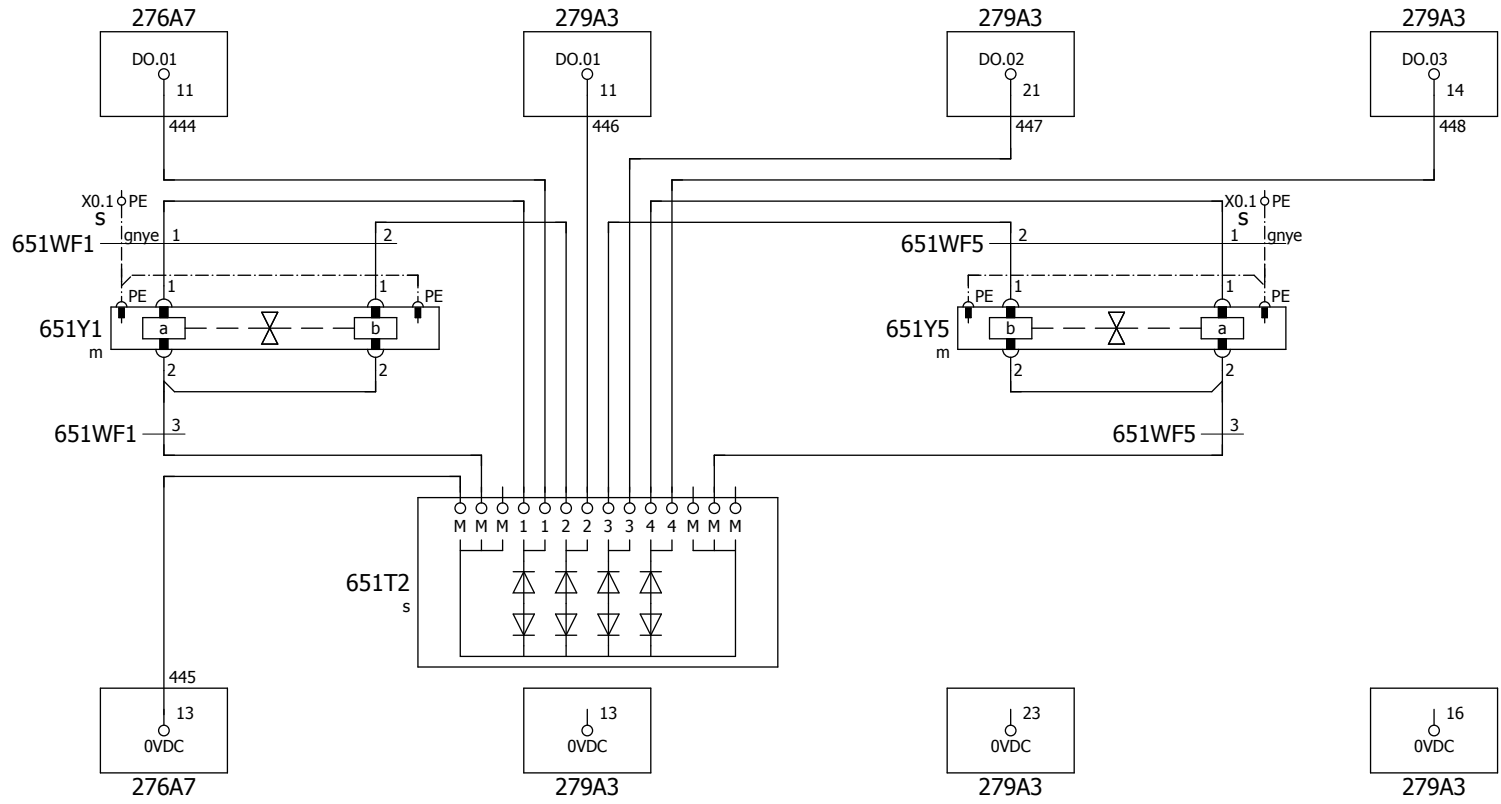
press block (right side) > downwards

press block (left side) > upwards

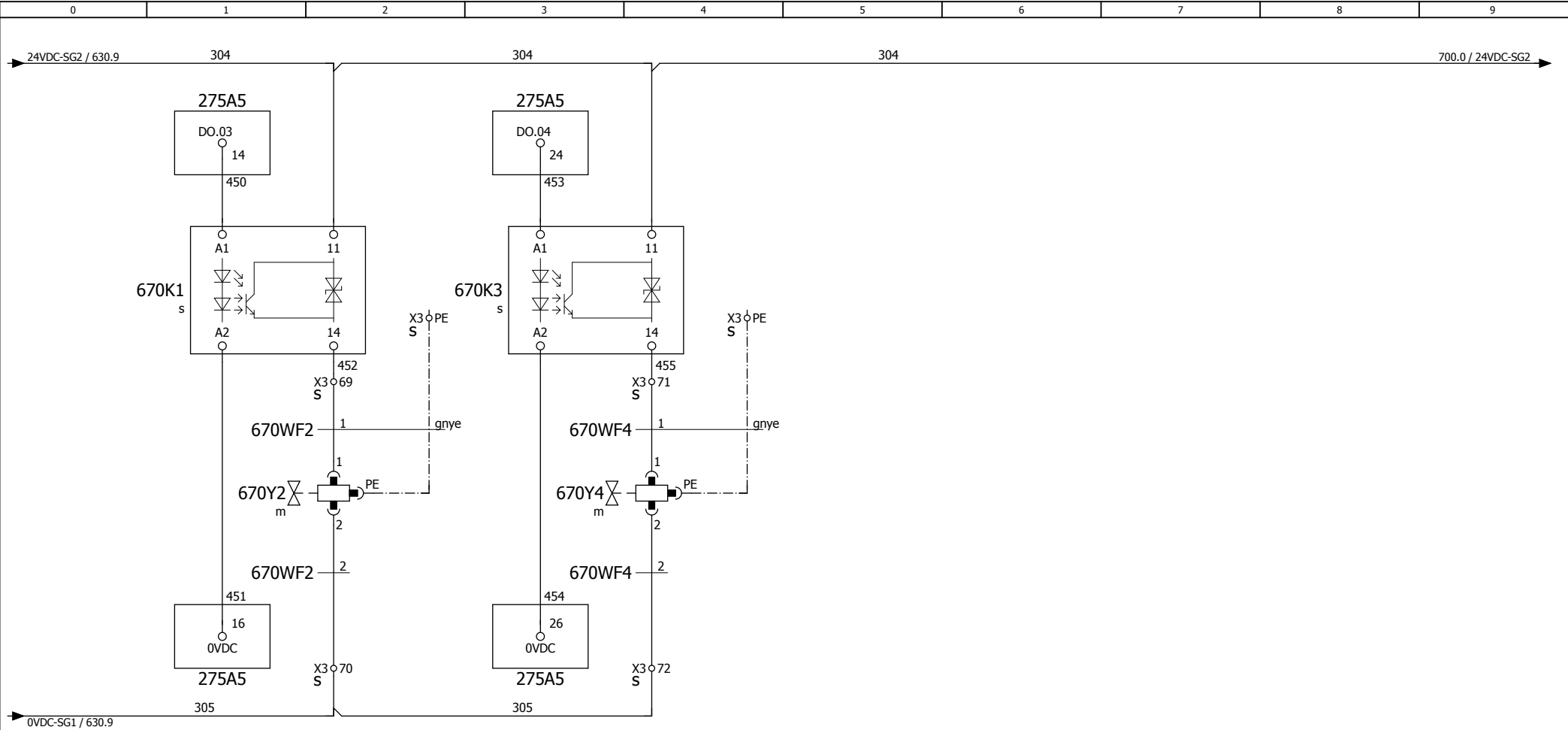
press block (left side) > downwards



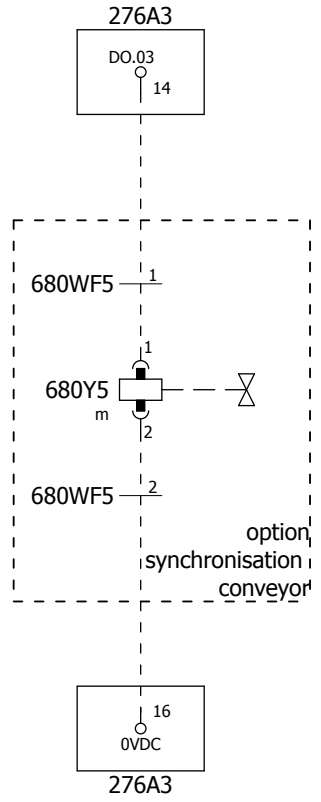
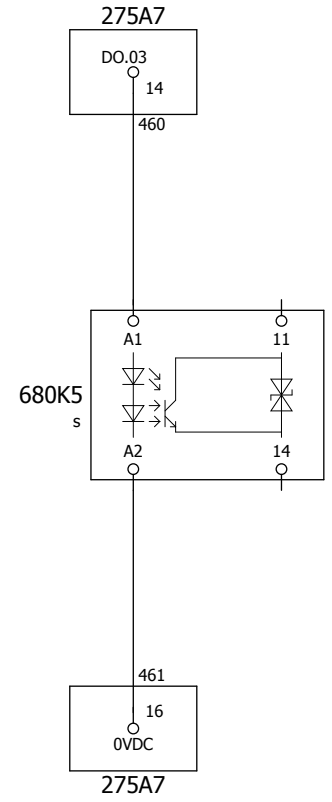
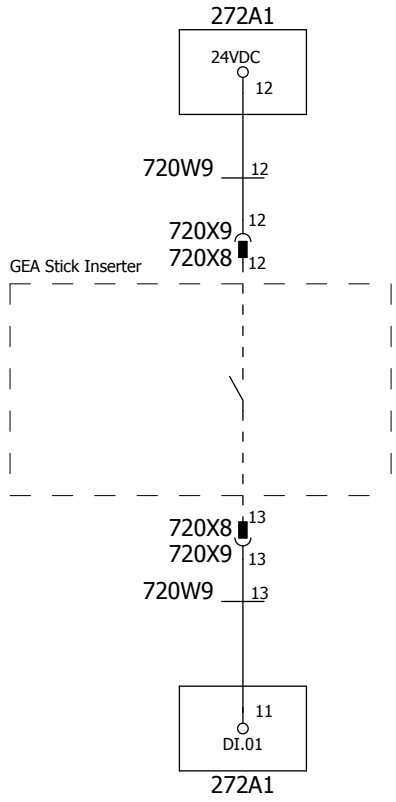
form plate > position

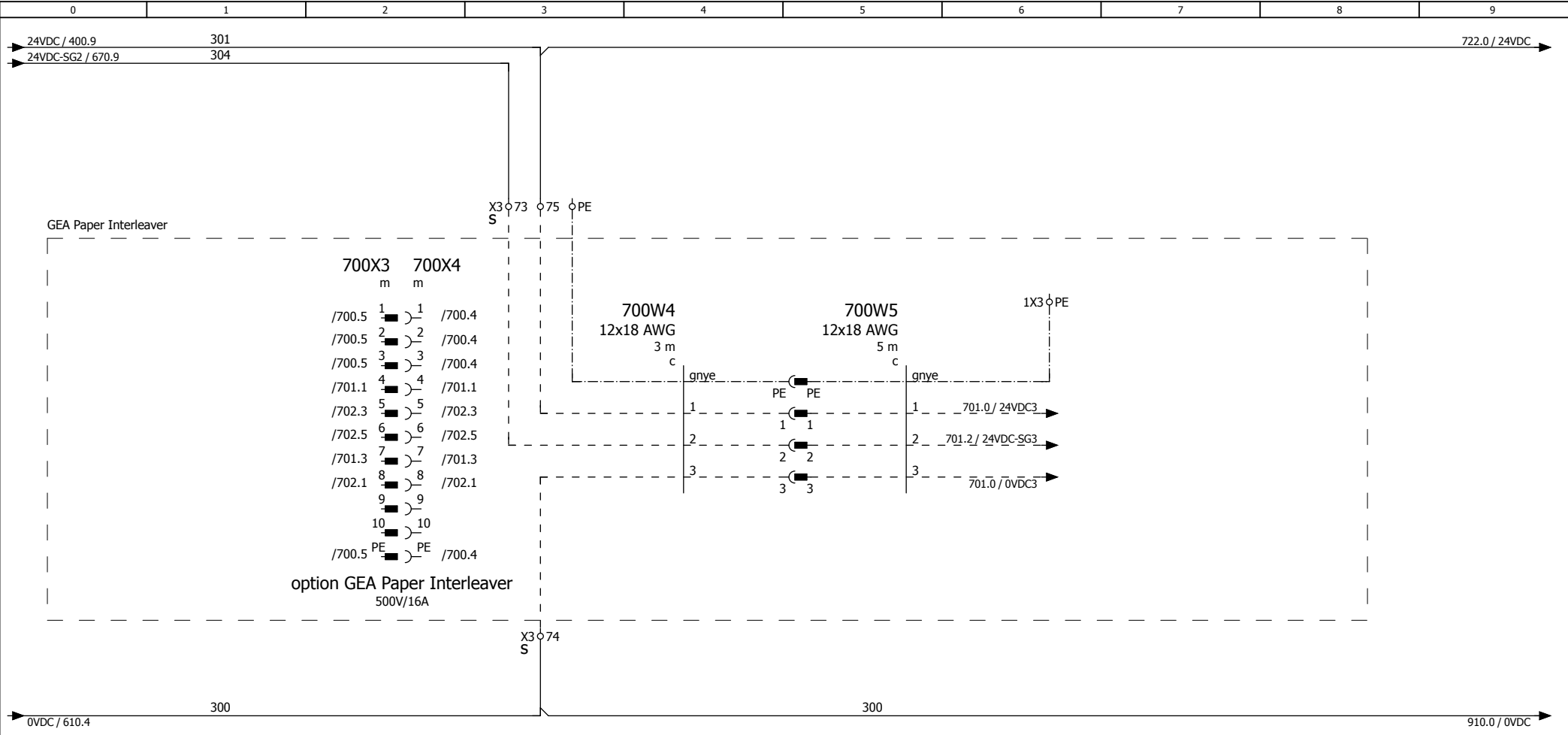



48/87	6-6-2018	Revision: 03		Description: augers / form plate	Machine: GEA MultiFormer 600	= 00
Released:					Serial Number:	+ EC00
Document number: 1000424726						Page: 651

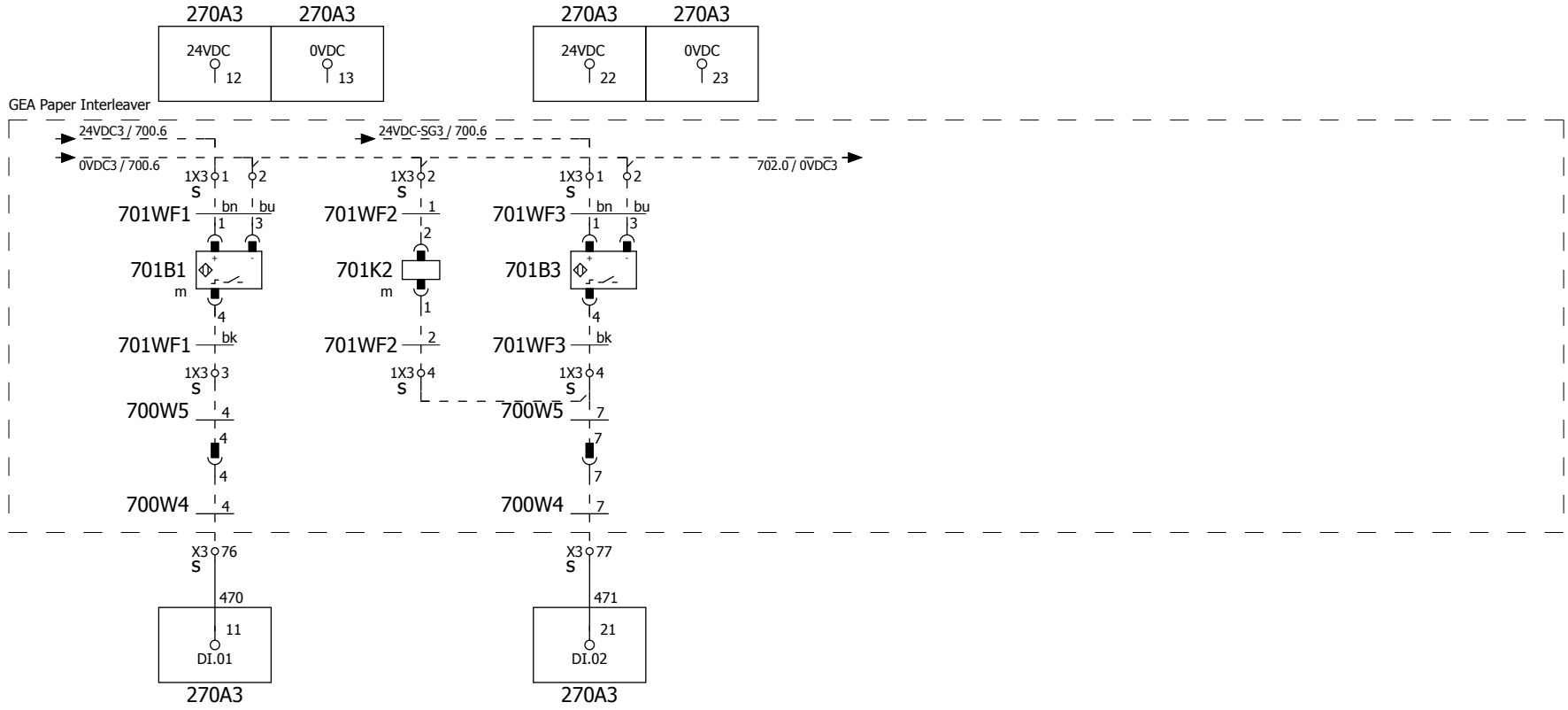


651	nozzle (front side)	nozzle (back side)	680
49/87	1-10-2018	Revision: 03	Machine: GEA MultiFormer 600
Released:			Description: nozzle
Document number: 1000424726			Serial Number:
			Page: 670





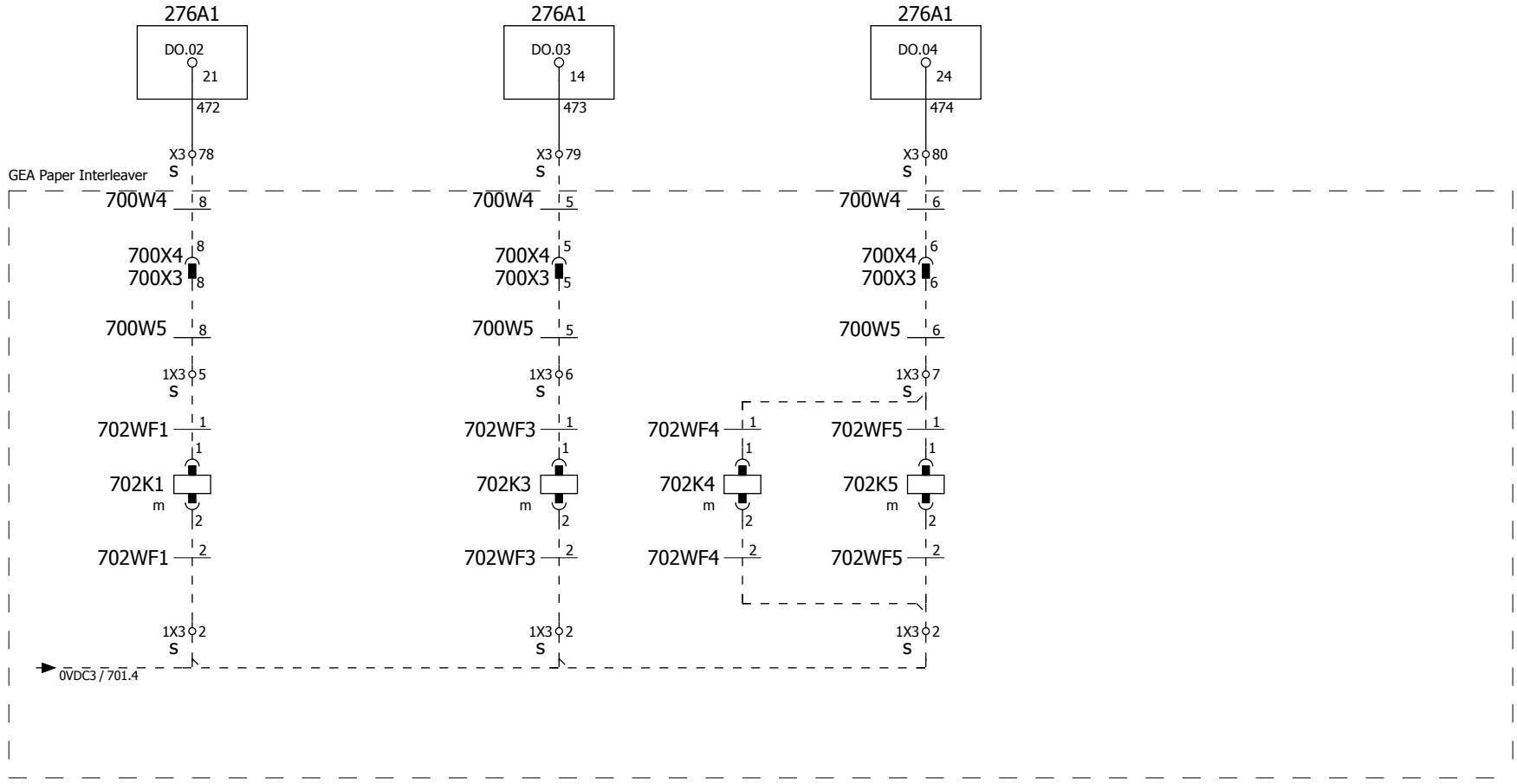
<p>51/87</p>	<p>1-10-2018</p>	<p>Revision:</p>		<p>Description:</p>	<p>Machine:</p>	<p>= 00</p>
<p>Released:</p>		<p>03</p>		<p>GEA Paper Interleaver (option)</p>	<p>GEA MultiFormer 600</p>	<p>+ EC00</p>
<p>Document number:</p>	<p>1000424726</p>				<p>Serial Number:</p>	<p>Page: 700</p>



GEA Paper Interleaver > knock out position paper position

GEA Paper Interleaver > loading position

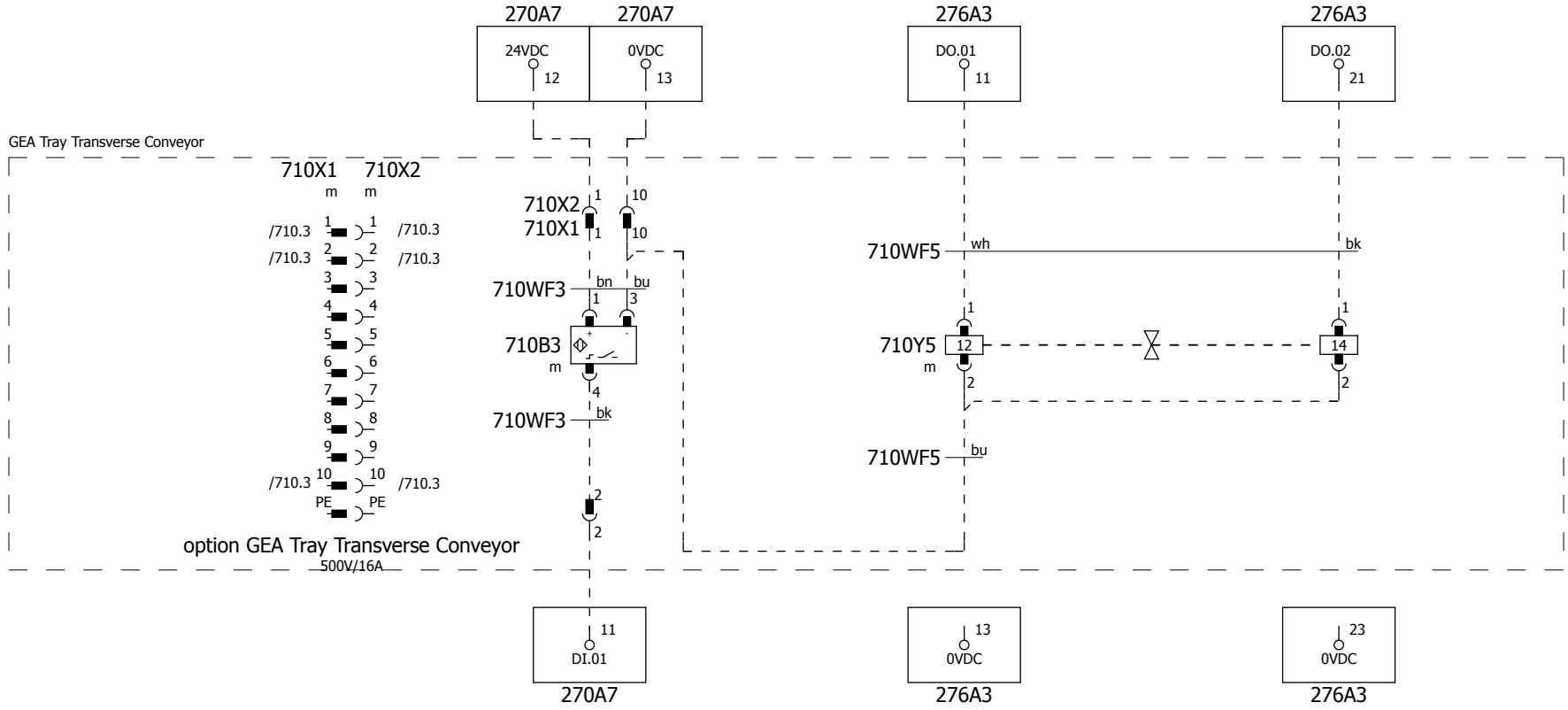
52/87	1-10-2018	Revision: 03		Description: GEA Paper Interleaver (option)	Machine: GEA MultiFormer 600	= 00
Released:					Serial Number:	+ EC00
Document number:	1000424726					Page: 701



pneumatic conveyor > running

GEA Paper Interleaver > air pressure

GEA Paper Interleaver > start

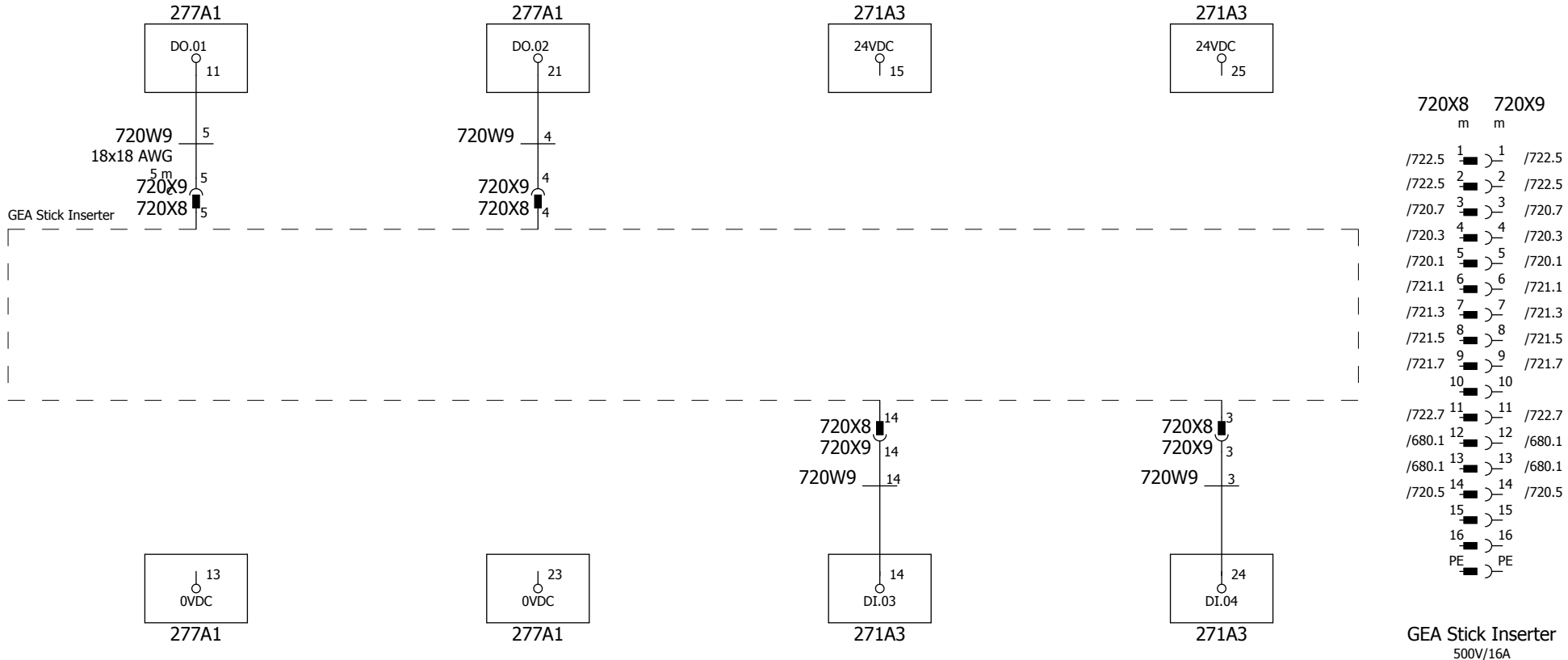


GEA Tray Transverse Conveyor > trays (infeed side)

GEA Tray Transverse Conveyor > trays (infeed)

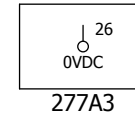
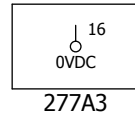
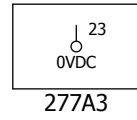
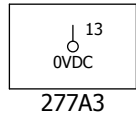
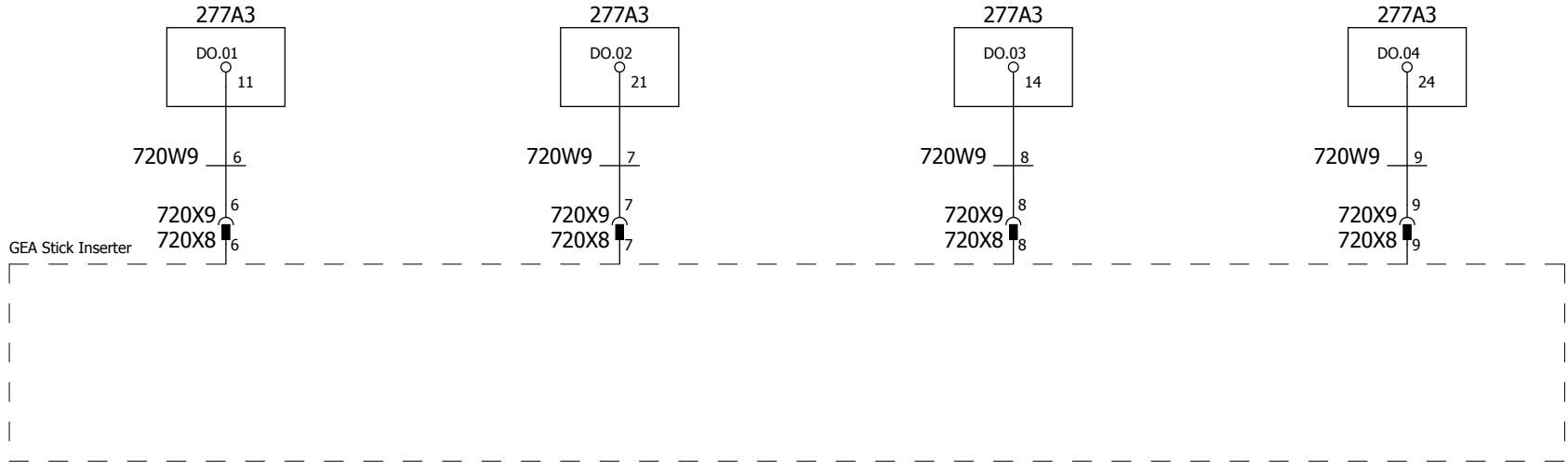
GEA Tray Transverse Conveyor > trays (outfeed)

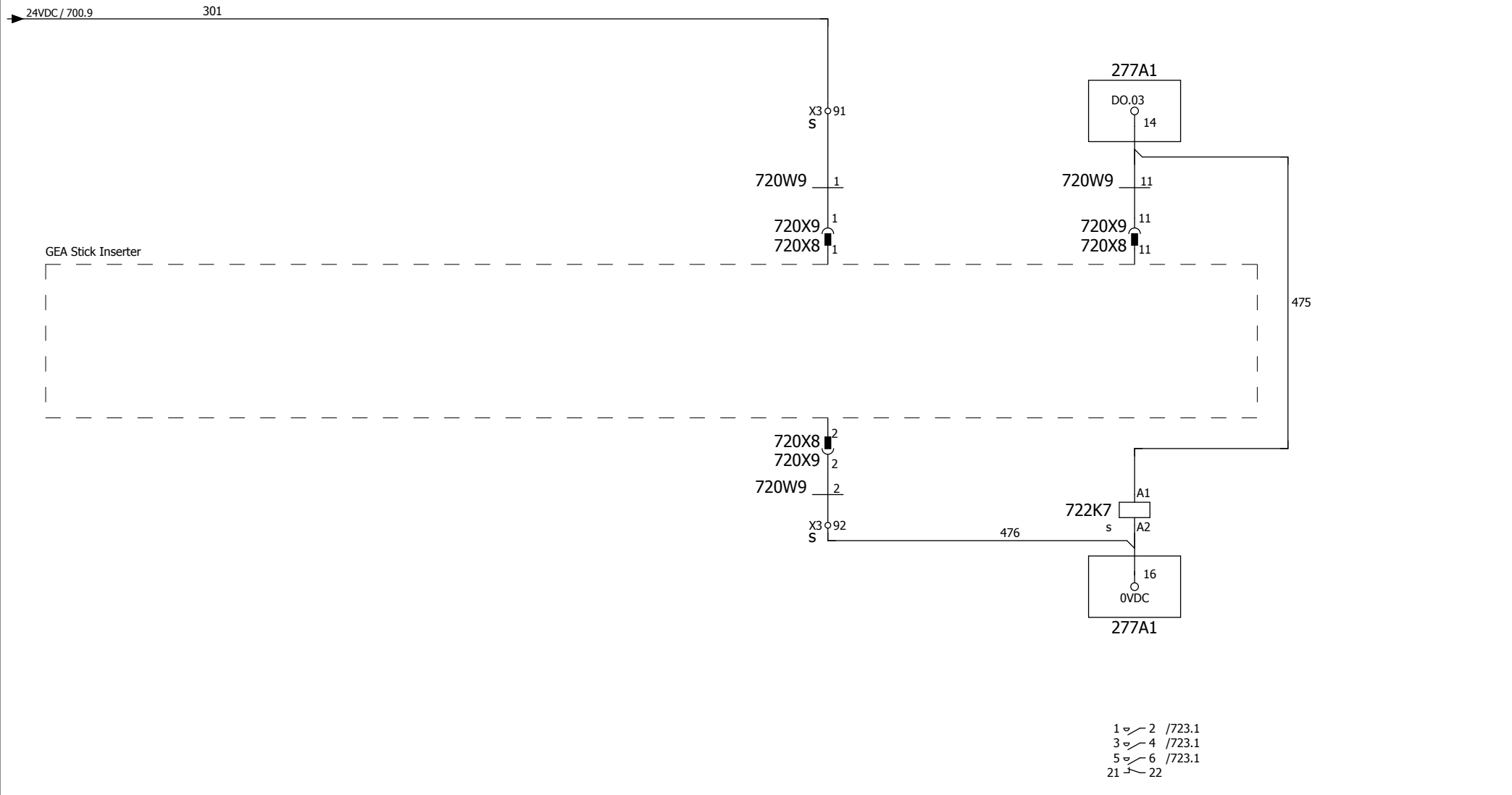
54/87	6-6-2018	Revision: 03		Description: GEA Tray Transverse Conveyor (option)	Machine: GEA MultiFormer 600	= 00
Released:					Serial Number:	+ EC00
Document number: 1000424726					Page: 710	




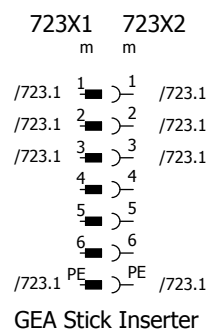
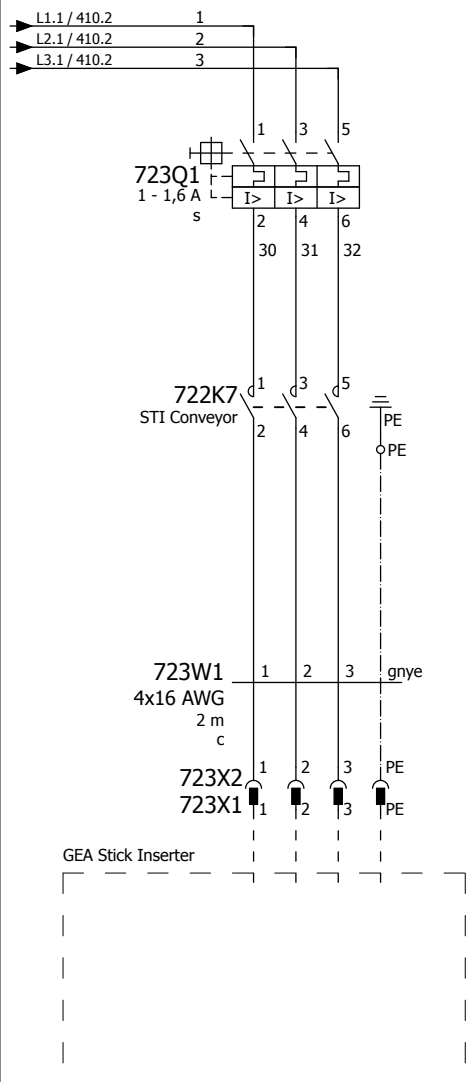
GEA Stick Inserter
500V/16A

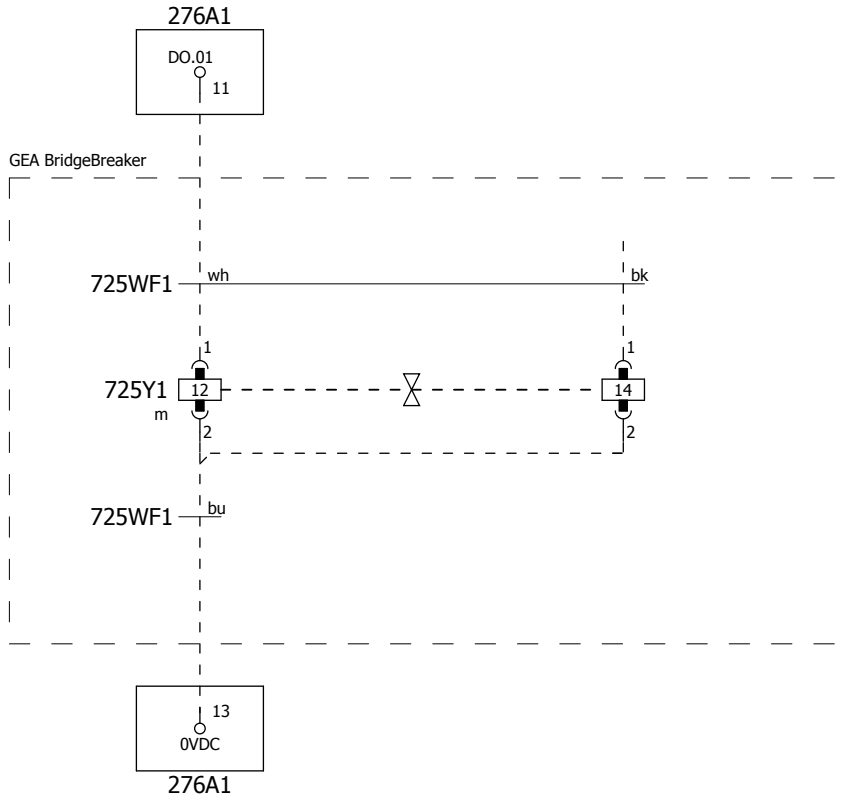
55/87	6-6-2018	Revision: 03		Description: GEA Stick Inserter (option)	Machine: GEA MultiFormer 600	= 00
Released:					Serial Number:	+ EC00
Document number: 1000424726						Page: 720




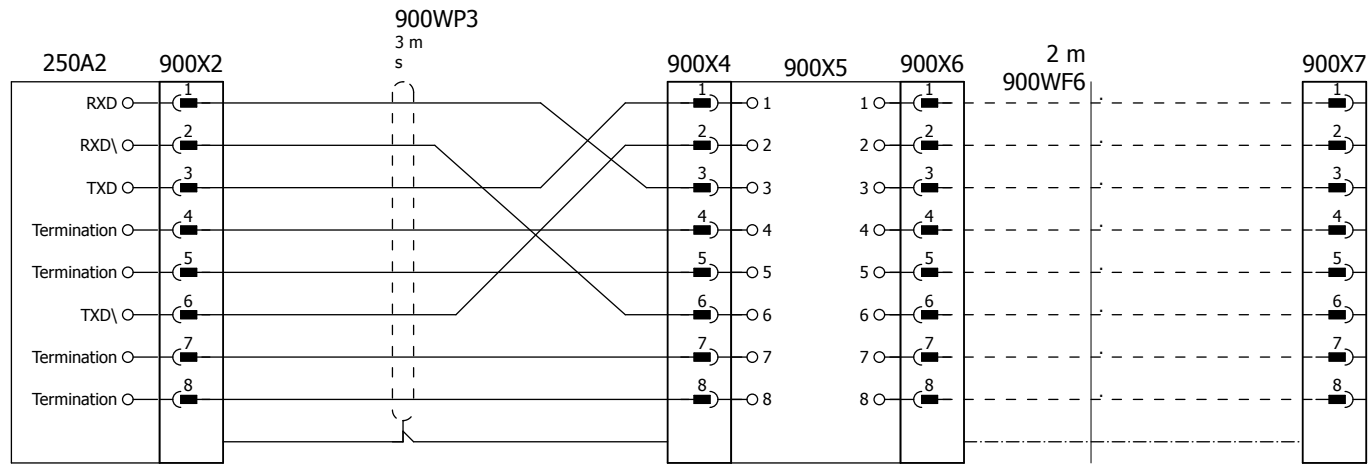


5787	1-10-2018	Revision: 03		Description: GEA Stick Inserter (option)	Machine: GEA MultiFormer 600	= 00
Released:					Serial Number:	+ EC00
Document number:	1000424726					Page: 722



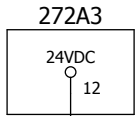


59/87	6-6-2018	Revision:		Description: GEA BridgeBreaker (option)	Machine:	= 00 + EC00 Page: 725
Released:		03			GEA MultiFormer 600	
Document number:	1000424726				Serial Number:	



Cable to Program or Trackmax

MDI



481



s

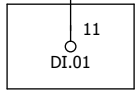


482

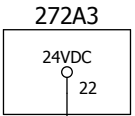


s

483



272A3



484



s

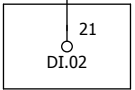


485



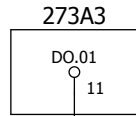
s

486



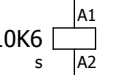
272A3

910K6
previous
machine 1 >
product
request



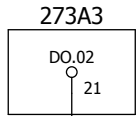
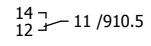
487

910K8
previous
machine 1 >
in safe
position

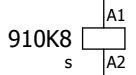


910K6

s

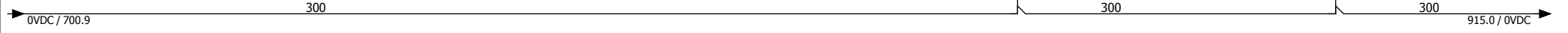
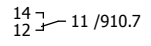


488



910K8

s



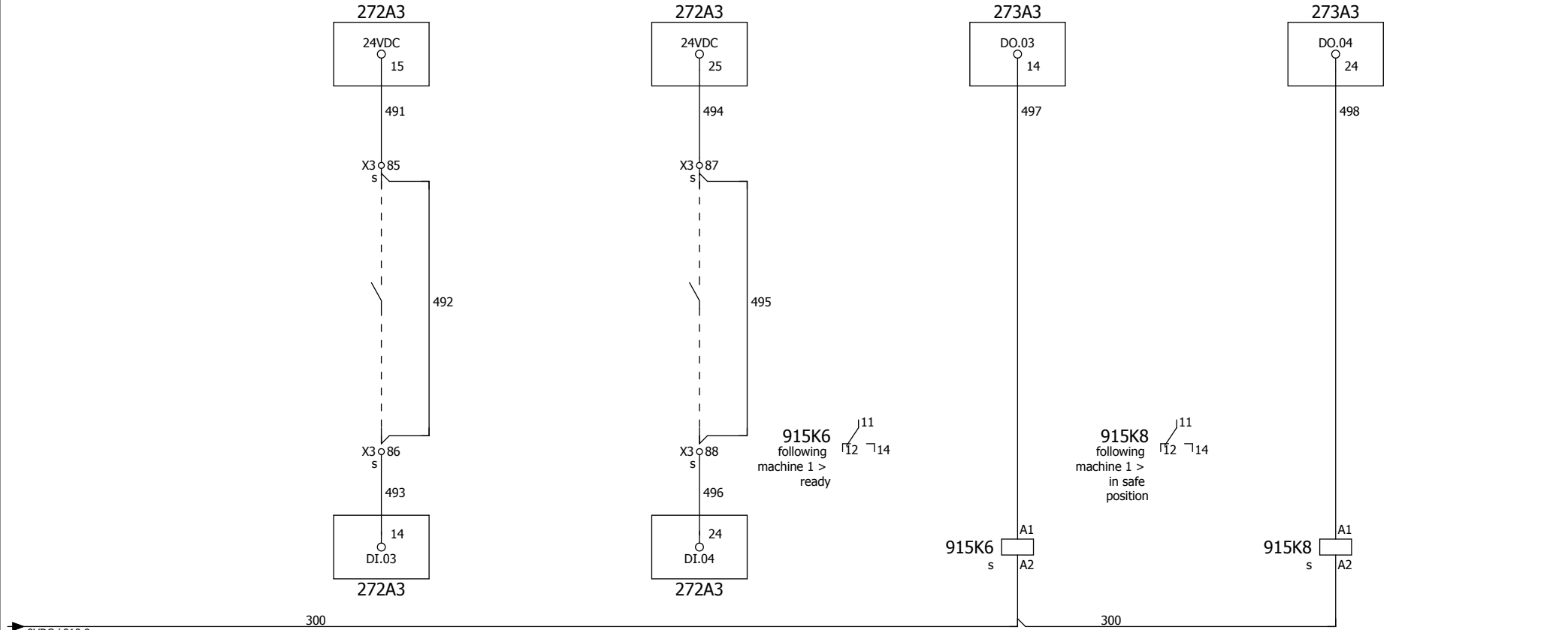
61/87	1-10-2018	Revision: 03		Description: interface infeed device 1	Machine: GEA MultiFormer 600 Serial Number:	= 00
Released:						+ EC00
Document number:	1000424726					Page: 910

previous machine 1
> ready

previous machine 1
> in safe position

previous machine
1 > product request


previous machine 1
> in safe position

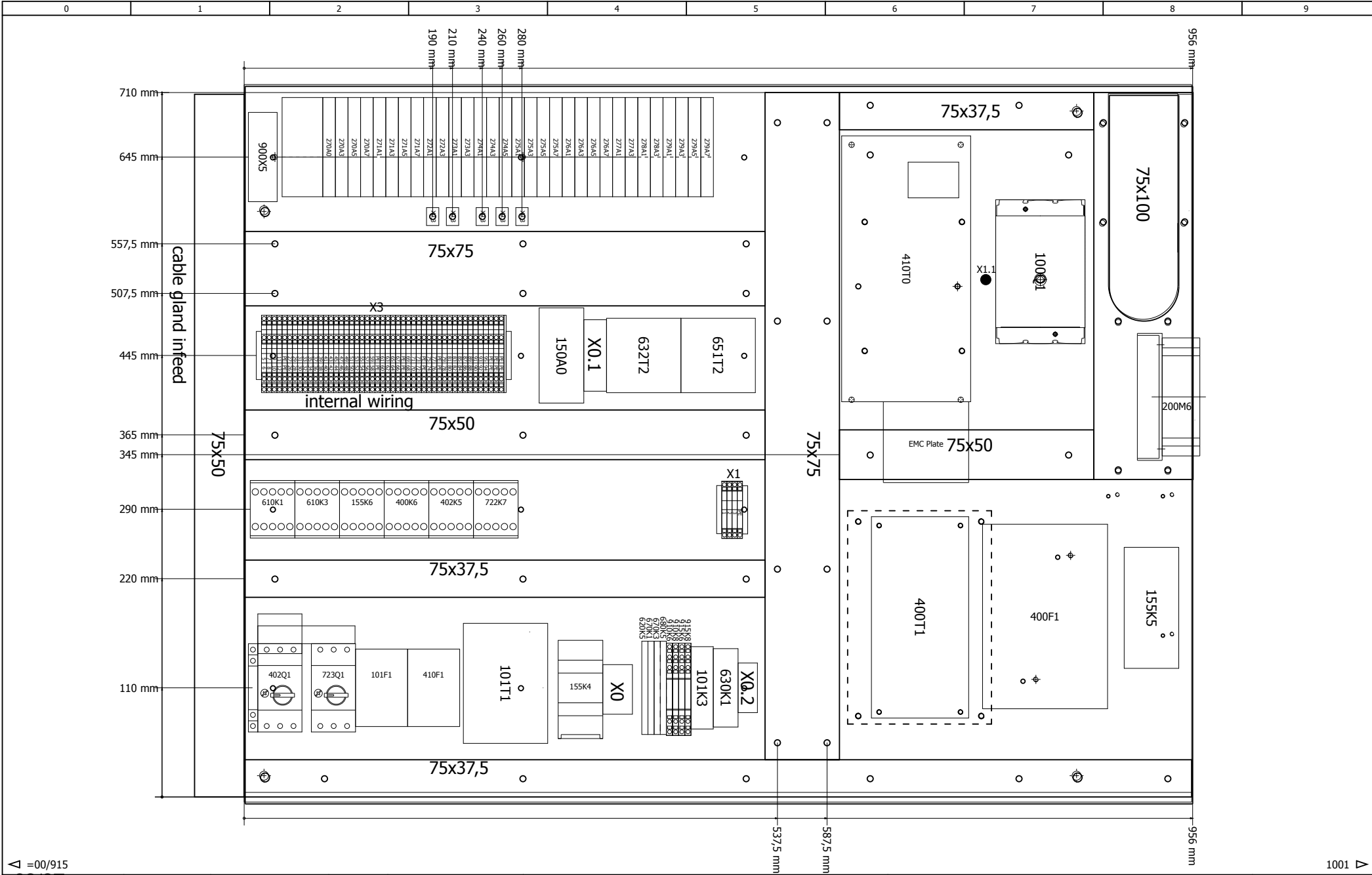


915K6
following
machine 1 >
ready

915K8
following
machine 1 >
in safe
position



910	following machine 1 > product request	following machine 1 > in safe position	following machine 1 > ready	following machine 1 > in safe position	=EC/1000 ▶
62/87	1-10-2018	Revision: 03	Description: interface outfeed device 1	Machine: GEA MultiFormer 600	= 00
Released:				Serial Number:	+ EC00
Document number:	1000424726				Page: 915



▷ =00/915

1001 ▷

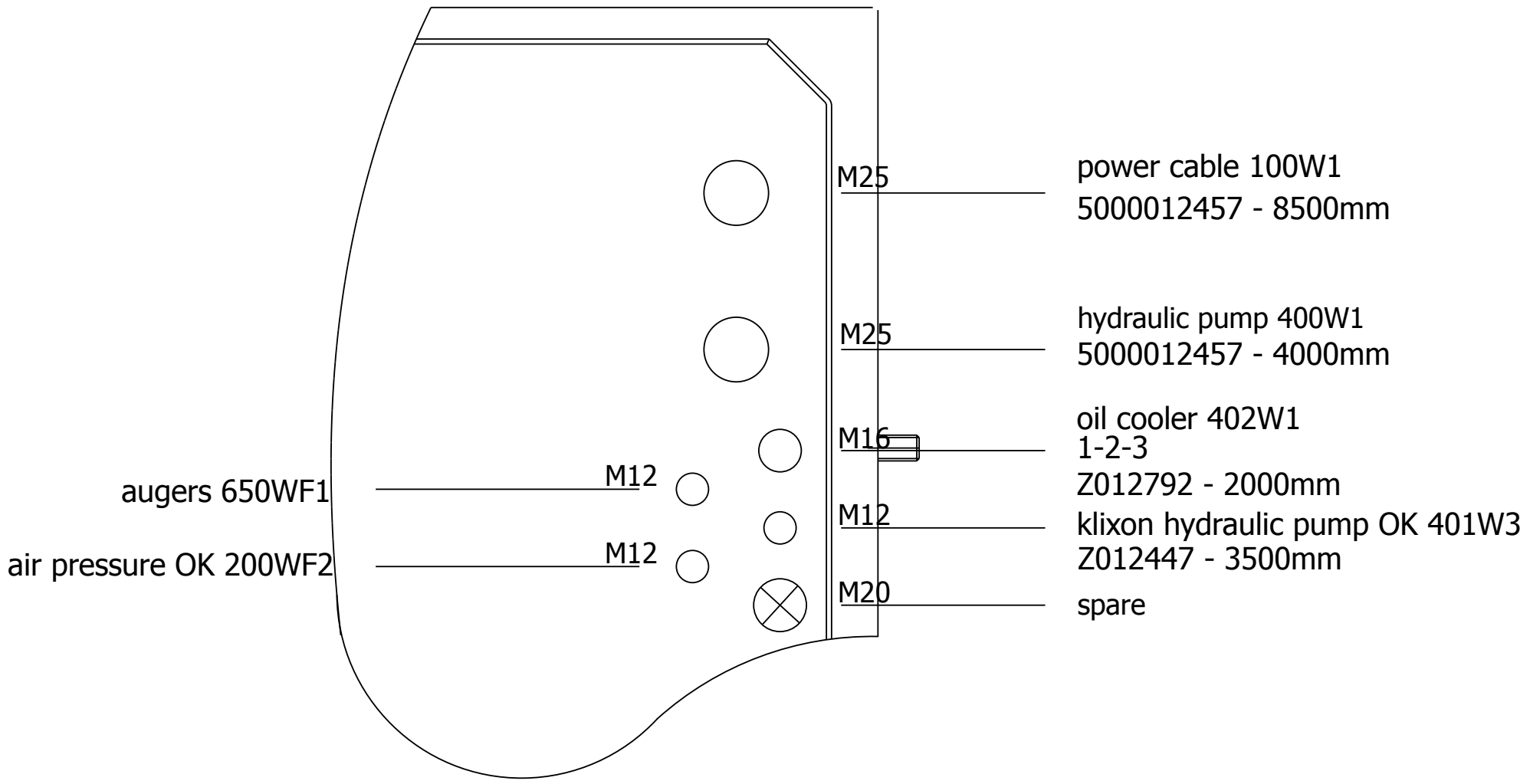
Released:	23-11-2018	Revision:	03
Document number:	1000424726		



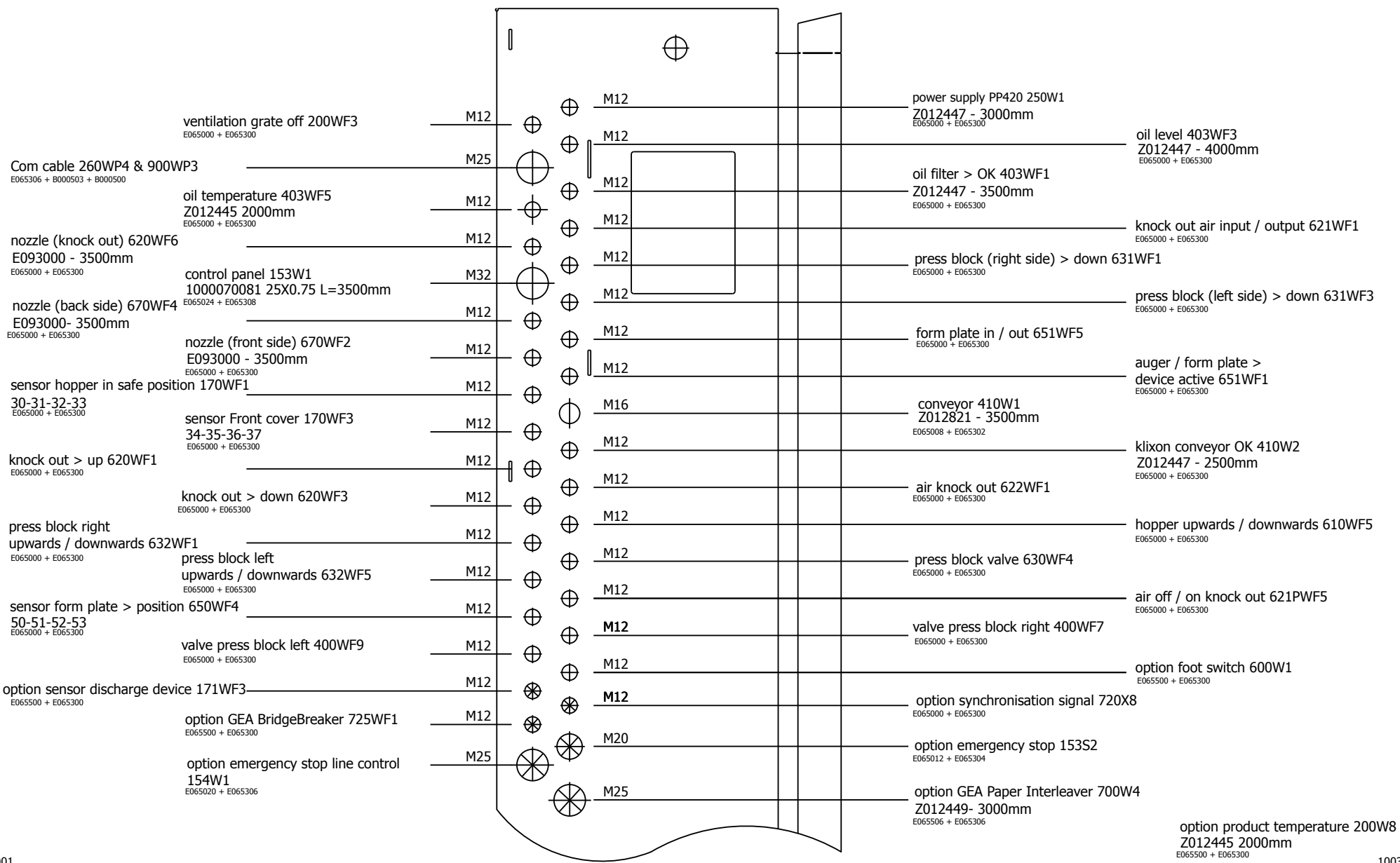
Description:
 mounting location s:
 mounting plate 955x710

Machine:
 GEA MultiFormer 600
 Serial Number:

= EC
 + EC00
 Page: 1000




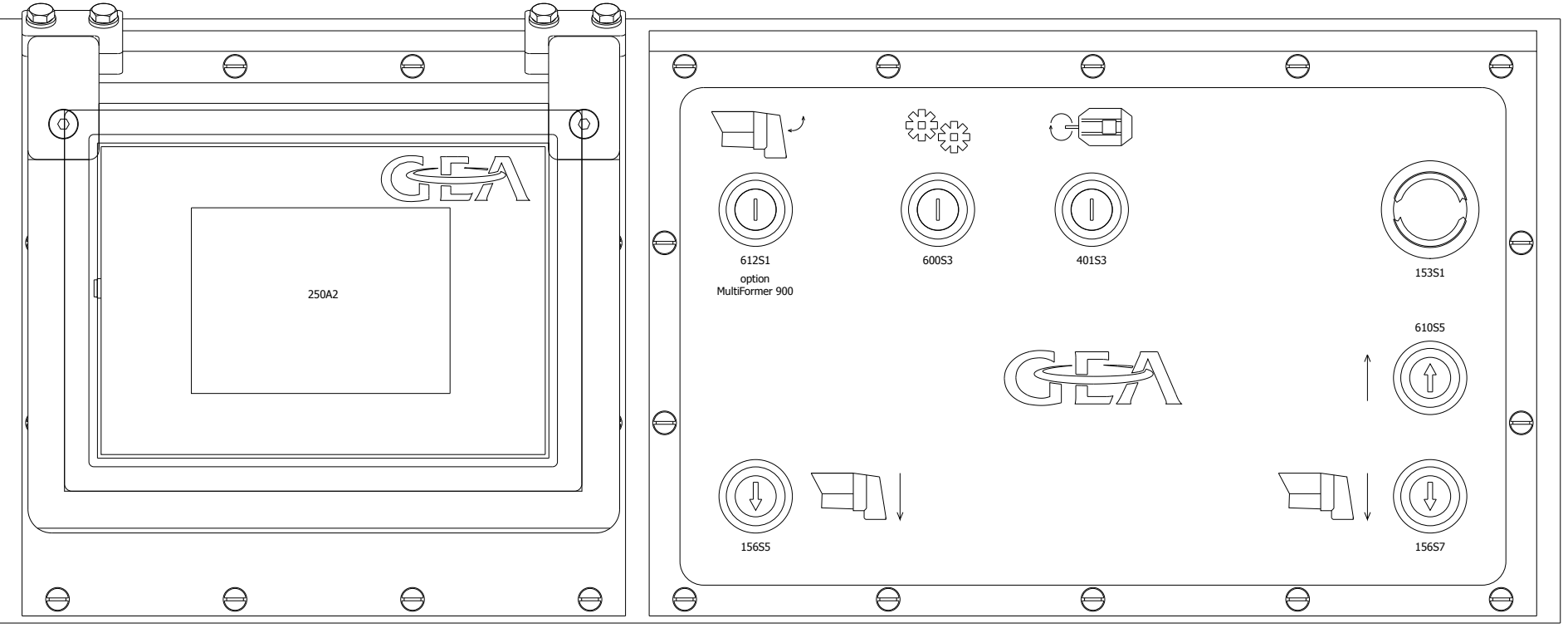
64/87	1-10-2018	Revision:		Description: mounting location s: gland overview	Machine:	GEA MultiFormer 600	= EC
Released:		03			Serial Number:		+ EC00
Document number:	1000424726						Page:




< 1001

1003 >

<p>65/87</p>	<p>1-10-2018</p>	<p>Revision: 03</p>		<p>Description: mounting location s: gland overview</p>	<p>Machine: GEA MultiFormer 600</p>	<p>= EC</p>
<p>Released:</p>					<p>Serial Number:</p>	<p>+ EC00</p>
<p>Document number:</p>	<p>1000424726</p>					<p>Page: 1002</p>



<p>66/87</p>	<p>27-8-2018</p>	<p>Revision: 03</p>		<p>Machine: GEA MultiFormer 600</p>	<p>= EC</p>
<p>Released:</p>			<p>Description: mounting location m1: operator panel</p>	<p>Serial Number:</p>	<p>+ EC00</p>
<p>Document number:</p>	<p>1000424726</p>				<p>Page: 1003</p>

ECN	Item number	Qty	Unit	Item description (native)	Item description	Specification	RSPC	Detail
MP	E065024	1	pcs	gland	gland	M32x1,5 brass, thread 9mm	D	
MP	E065310	3	pcs	connecting nut	connecting nut	M40x1,5 brass	D	
MP	B000503	1	pcs	gland	gland		D	
MP	E065506	2	pcs	cap	cap		D	
MP	E065008	2	pcs	gland	gland	M16x1,5 brass, thread 7mm	D	
MP	E065000	25	pcs	gland	gland	M12x1,5 brass, thread 6,5mm, 3-7mm	D	
MP	E065020	2	pcs	gland	gland	M25x1,5 brass, thread 8mm	D	
MP	E065200	1	pcs	gland	gland		D	
MP	E065300	32	pcs	connecting nut	connecting nut	M12x1,5 brass	D	
MP	B000500	1	pcs	insert	insert		D	
MP	E065302	2	pcs	connecting nut	connecting nut	M16x1,5 brass	D	
MP	E065504	3	pcs	cap	cap		D	
MP	E065028	1	pcs	gland	gland	M40x1,5 brass, thread 9mm	D	
MP	E065308	1	pcs	connecting nut	connecting nut	M32x1,5 brass	D	
MP	E065304	3	pcs	connecting nut	connecting nut	M20x1,5 brass	D	
MP	E065607	2	pcs	ring	ring		D	
MP	E065500	7	pcs	cap	cap		D	
MP	E065306	3	pcs	connecting nut	connecting nut	M25x1,5 brass	D	
MP	E065400	1	pcs	connecting nut	connecting nut	M12x1,5 EMC, brass	D	
MP	1000327474	1	pcs	mounting plate	mounting plate		D	
X0	2004566872	1	pcs	earth terminal	earth terminal		D	
X0	1000023465	1	pcs	terminal code	terminal code		D	
X0	2004166681	1	pcs	end piece	end piece		D	
X0.1	2004166681	2	pcs	end piece	end piece		D	
X0.1	2004566839	1	pcs	earth terminal	earth terminal		D	
X0.1	1000023465	1	pcs	terminal code	terminal code		D	
X0.1	2004167099	1	pcs	cover sheet	cover sheet		D	
X0.2	1000023479	1	pcs	earthed conductor clamp	earthed conductor clamp	4-13,5mm ² 10-6 AWG	D	
X0.3	1000342831	1	pcs	earthed conductor clamp	earthed conductor clamp	3-8mm ² 12-10 AWG	D	
X0.3	1000342831	1	pcs	earthed conductor clamp	earthed conductor clamp	3-8mm ² 12-10 AWG	D	
X0.3	1000342831	1	pcs	earthed conductor clamp	earthed conductor clamp	3-8mm ² 12-10 AWG	D	
X0.3	1000342831	1	pcs	earthed conductor clamp	earthed conductor clamp	3-8mm ² 12-10 AWG	D	
X0.3	1000342831	1	pcs	earthed conductor clamp	earthed conductor clamp	3-8mm ² 12-10 AWG	D	
X1	2004566872	1	pcs	earth terminal	earth terminal		D	
X1	2004566872	1	pcs	earth terminal	earth terminal		D	

ECN	Item number	Qty	Unit	Item description (native)	Item description	Specification	RSPC	Detail
X3	1000023473	1	pcs	terminal	terminal		D	
X3	1000023473	1	pcs	terminal	terminal		D	
X3	1000023473	1	pcs	terminal	terminal		D	
X3	1000023473	1	pcs	terminal	terminal		D	
X3	1000023472	1	pcs	terminal	terminal		D	
X3	1000023472	1	pcs	terminal	terminal		D	
X3	1000023472	1	pcs	terminal	terminal		D	
X3	1000023472	1	pcs	terminal	terminal		D	
X3	1000023472	1	pcs	terminal	terminal		D	
X3	1000023465	1	pcs	terminal code	terminal code		D	
X3	1000023472	1	pcs	terminal	terminal		D	
X3	1000023472	1	pcs	terminal	terminal		D	
X3	1000023472	1	pcs	terminal	terminal		D	
X3	1000023474	1	pcs	end piece	end piece		D	
X3	1000023472	1	pcs	terminal	terminal		D	
X3	1000023472	1	pcs	terminal	terminal		D	
X3	1000023472	1	pcs	terminal	terminal		D	
X3	1000023472	1	pcs	terminal	terminal		D	
X3	1000023472	1	pcs	terminal	terminal		D	
X3	1000023472	1	pcs	terminal	terminal		D	
X3	1000023472	1	pcs	terminal	terminal		D	
X3	1000023472	1	pcs	terminal	terminal		D	
X3	1000023472	1	pcs	terminal	terminal		D	
X3	1000023472	1	pcs	terminal	terminal		D	
X3	1000023472	1	pcs	terminal	terminal		D	
X3	1000023472	1	pcs	terminal	terminal		D	
100Q1	E062580	1	pcs	main switch	main switch	3P, 63A, with thermal contact	C	
100Q1	E062585	2	pcs	safety cover	safety cover		D	
100Q1	1000037060	1	pcs	text plate	text plate	English/German for N1,N2,N3, N4	D	
100Q1	E062090	1	pcs	handle	handle	63A UL/CSA, handle + adapter	C	
100W1	5000012456	8000	m	cable	cable	4G6 numbered, CSA	C	
101F1	E002379	1	pcs	fuse-holder	fuse-holder	UL-listed, CSA Certified, DIN Mount	D	
101F1	E002544	3	pcs	fuse	fuse	UL-listed, CSA Certified	D	
101K3	1000212034	1	pcs	phase sequence control	phase sequence control	160-690V, 1 C/O 3A, 50/60Hz, UL	C	
101T1	1000308505	1	pcs	power supply	power supply	prim. 320/575V sec. 24VDC/10A AC input	C	
150A0	1000280285	1	pcs	safety module	safety module	MultiFormer/FreshFormer	C	y
153S1	1000022514	1	pcs	adapter	adapter		C	
153S1	1000022490	1	pcs	emergency stop	emergency stop		C	

ECN	Item number	Qty	Unit	Item description (native)	Item description	Specification	RSPC	Detail
153S1	1000022511	2	pcs	connection element	connection element		C	
153S1	1000277649	1	pcs	cover	cover		D	
153S2	1000022514	1	pcs	adapter	adapter		C	
153S2	1000022490	1	pcs	emergency stop	emergency stop		C	
153S2	1000277649	1	pcs	cover	cover		D	
153S2	1000022511	2	pcs	connection element	connection element		C	
153W1	1000070081	3500	m	cable	cable	25G0,75 numbered, CSA	D	
155K4	1000022186	1	pcs	auxiliary contact	auxiliary contact		C	
155K4	1000022148	1	pcs	magnetic switch	magnetic switch		C	
155K5	1000022184	1	pcs	auxiliary contact	auxiliary contact		C	
155K5	1000022180	1	pcs	magnetic switch	magnetic switch	To combine with 1000022224	D	
155K6	1000022240	1	pcs	relay	relay		C	
156S5	1000022514	1	pcs	adapter	adapter		C	
156S5	1000268040	1	pcs	push button	push button	heads only, IP66, UL/CSA	D	
156S5	1000022510	1	pcs	connection element	connection element		C	
156S5	1000022519	1	pcs	membrane	membrane		B	
156S7	1000022514	1	pcs	adapter	adapter		C	
156S7	1000022519	1	pcs	membrane	membrane		B	
156S7	1000268040	1	pcs	push button	push button	heads only, IP66, UL/CSA	D	
156S7	1000022510	1	pcs	connection element	connection element		C	
200M6	E012301	1	pcs	filter	filter		B	
200M6	E012305	1	pcs	ventilator	ventilator	12...28VDC, 3,2W, 168m3/h, CE-UL-CSA	D	
200W8	Z012445	2000	m	cable	cable	4x0,34 colored, shielded, CSA	D	
250A2	4016085196	1	pcs	memorycard	memorycard		C	
250A2	3000342363	1	pcs	input unit	input unit		C	
250W1	Z012447	3000	m	cable	cable	3G0,75 numbered, CSA	D	
250X6	4016002623	1	pcs	cap	cap		D	
250X6	4016002622	1	pcs	power socket	power socket		D	
250WP5	1000078830	1	pcs	cable	cable		D	
260WP4	E099108	1	pcs	cable	cable	RJ-45 AWG24	D	
270A0	1000036784	1	pcs	bus controller module	bus controller module		C	
270A0	1000036789	1	pcs	power supply	power supply		C	
270A0	1000036783	1	pcs	bus controller module	bus controller module		C	
270A0	1000023005	1	pcs	text plate	text plate		C	
270A0	1000008085	1	pcs	terminal block	terminal block		D	
270A0	1000023004	1	pcs	holder	holder		C	

ECN	Item number	Qty	Unit	Item description (native)	Item description	Specification	RSPC	Detail
270A3	1000008302	1	pcs	bus controller module	bus controller module		C	
270A3	1000023004	1	pcs	holder	holder		C	
270A3	1000023005	1	pcs	text plate	text plate		C	
270A3	1000008085	1	pcs	terminal block	terminal block		D	
270A3	1000036779	1	pcs	input module	input module		C	
270A5	1000023005	1	pcs	text plate	text plate		C	
270A5	1000008302	1	pcs	bus controller module	bus controller module		C	
270A5	1000023004	1	pcs	holder	holder		C	
270A5	1000008085	1	pcs	terminal block	terminal block		D	
270A5	1000036779	1	pcs	input module	input module		C	
270A7	1000008302	1	pcs	bus controller module	bus controller module		C	
270A7	1000008085	1	pcs	terminal block	terminal block		D	
270A7	1000023005	1	pcs	text plate	text plate		C	
270A7	1000023004	1	pcs	holder	holder		C	
270A7	1000036779	1	pcs	input module	input module		C	
271A1	1000023005	1	pcs	text plate	text plate		C	
271A1	1000008085	1	pcs	terminal block	terminal block		D	
271A1	1000008302	1	pcs	bus controller module	bus controller module		C	
271A1	1000023004	1	pcs	holder	holder		C	
271A1	1000036779	1	pcs	input module	input module		C	
271A3	1000008302	1	pcs	bus controller module	bus controller module		C	
271A3	1000023004	1	pcs	holder	holder		C	
271A3	1000008085	1	pcs	terminal block	terminal block		D	
271A3	1000036779	1	pcs	input module	input module		C	
271A3	1000023005	1	pcs	text plate	text plate		C	
271A5	1000036779	1	pcs	input module	input module		C	
271A5	1000023005	1	pcs	text plate	text plate		C	
271A5	1000008085	1	pcs	terminal block	terminal block		D	
271A5	1000008302	1	pcs	bus controller module	bus controller module		C	
271A5	1000023004	1	pcs	holder	holder		C	
271A7	1000036779	1	pcs	input module	input module		C	
271A7	1000008085	1	pcs	terminal block	terminal block		D	
271A7	1000008302	1	pcs	bus controller module	bus controller module		C	
271A7	1000023005	1	pcs	text plate	text plate		C	
271A7	1000023004	1	pcs	holder	holder		C	
272A1	1000008085	1	pcs	terminal block	terminal block		D	

ECN	Item number	Qty	Unit	Item description (native)	Item description	Specification	RSPC	Detail
272A1	1000008302	1	pcs	bus controller module	bus controller module		C	
272A1	1000036779	1	pcs	input module	input module		C	
272A1	1000023004	1	pcs	holder	holder		C	
272A1	1000023005	1	pcs	text plate	text plate		C	
272A3	1000008302	1	pcs	bus controller module	bus controller module		C	
272A3	1000036779	1	pcs	input module	input module		C	
272A3	1000023005	1	pcs	text plate	text plate		C	
272A3	1000023004	1	pcs	holder	holder		C	
272A3	100008085	1	pcs	terminal block	terminal block		D	
273A1	100008085	1	pcs	terminal block	terminal block		D	
273A1	1000023004	1	pcs	holder	holder		C	
273A1	1000023006	1	pcs	output module	output module		C	
273A1	1000023005	1	pcs	text plate	text plate		C	
273A1	1000008302	1	pcs	bus controller module	bus controller module		C	
273A3	1000023004	1	pcs	holder	holder		C	
273A3	1000023005	1	pcs	text plate	text plate		C	
273A3	1000008302	1	pcs	bus controller module	bus controller module		C	
273A3	100008085	1	pcs	terminal block	terminal block		D	
273A3	1000023006	1	pcs	output module	output module		C	
274A1	1000008302	1	pcs	bus controller module	bus controller module		C	
274A1	1000023005	1	pcs	text plate	text plate		C	
274A1	1000023004	1	pcs	holder	holder		C	
274A1	1000023010	1	pcs	input module	input module		C	
274A1	100008085	1	pcs	terminal block	terminal block		D	
274A3	1000008302	1	pcs	bus controller module	bus controller module		C	
274A3	1000023005	1	pcs	text plate	text plate		C	
274A3	1000036778	1	pcs	input module	input module		C	
274A3	100008085	1	pcs	terminal block	terminal block		D	
274A3	1000023004	1	pcs	holder	holder		C	
274A5	1000036780	1	pcs	output module	output module		C	
274A5	1000023004	1	pcs	holder	holder		C	
274A5	1000023005	1	pcs	text plate	text plate		C	
274A5	100008085	1	pcs	terminal block	terminal block		D	
274A5	1000008302	1	pcs	bus controller module	bus controller module		C	
275A1	1000023004	1	pcs	holder	holder		C	
275A1	100008085	1	pcs	terminal block	terminal block		D	

ECN	Item number	Qty	Unit	Item description (native)	Item description	Specification	RSPC	Detail
275A1	1000008301	1	pcs	bus controller module	bus controller module		C	
275A1	1000036786	1	pcs	power supply	power supply		C	
275A1	1000023005	1	pcs	text plate	text plate		C	
275A3	1000023004	1	pcs	holder	holder		C	
275A3	1000023005	1	pcs	text plate	text plate		C	
275A3	1000008302	1	pcs	bus controller module	bus controller module		C	
275A3	1000008085	1	pcs	terminal block	terminal block		D	
275A3	1000023006	1	pcs	output module	output module		C	
275A5	1000008085	1	pcs	terminal block	terminal block		D	
275A5	1000008302	1	pcs	bus controller module	bus controller module		C	
275A5	1000023006	1	pcs	output module	output module		C	
275A5	1000023004	1	pcs	holder	holder		C	
275A5	1000023005	1	pcs	text plate	text plate		C	
275A7	1000008085	1	pcs	terminal block	terminal block		D	
275A7	1000023005	1	pcs	text plate	text plate		C	
275A7	1000023004	1	pcs	holder	holder		C	
275A7	1000023006	1	pcs	output module	output module		C	
275A7	1000008302	1	pcs	bus controller module	bus controller module		C	
276A1	1000008085	1	pcs	terminal block	terminal block		D	
276A1	1000023004	1	pcs	holder	holder		C	
276A1	1000023006	1	pcs	output module	output module		C	
276A1	1000023005	1	pcs	text plate	text plate		C	
276A1	1000008302	1	pcs	bus controller module	bus controller module		C	
276A3	1000023004	1	pcs	holder	holder		C	
276A3	1000023005	1	pcs	text plate	text plate		C	
276A3	1000008302	1	pcs	bus controller module	bus controller module		C	
276A3	1000023006	1	pcs	output module	output module		C	
276A3	1000008085	1	pcs	terminal block	terminal block		D	
276A5	1000008302	1	pcs	bus controller module	bus controller module		C	
276A5	1000008085	1	pcs	terminal block	terminal block		D	
276A5	1000023005	1	pcs	text plate	text plate		C	
276A5	1000023006	1	pcs	output module	output module		C	
276A5	1000023004	1	pcs	holder	holder		C	
276A7	1000023004	1	pcs	holder	holder		C	
276A7	1000023007	1	pcs	output module	output module		C	
276A7	1000008085	1	pcs	terminal block	terminal block		D	

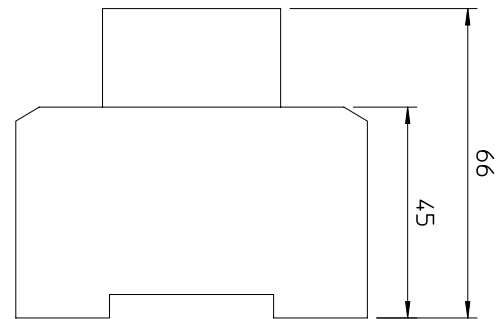
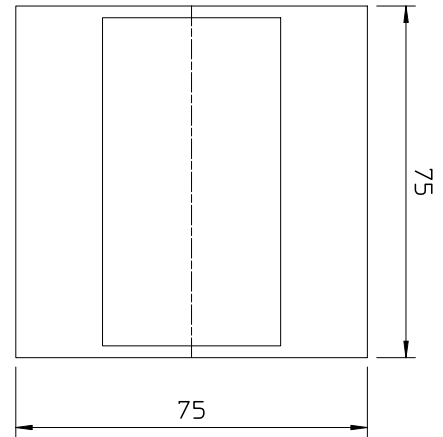
ECN	Item number	Qty	Unit	Item description (native)	Item description	Specification	RSPC	Detail
276A7	1000023005	1	pcs	text plate	text plate		C	
276A7	1000008302	1	pcs	bus controller module	bus controller module		C	
277A1	1000023006	1	pcs	output module	output module		C	
277A1	1000023005	1	pcs	text plate	text plate		C	
277A1	1000023004	1	pcs	holder	holder		C	
277A1	1000008302	1	pcs	bus controller module	bus controller module		C	
277A1	1000008085	1	pcs	terminal block	terminal block		D	
277A3	1000008085	1	pcs	terminal block	terminal block		D	
277A3	1000023006	1	pcs	output module	output module		C	
277A3	1000023005	1	pcs	text plate	text plate		C	
277A3	1000008302	1	pcs	bus controller module	bus controller module		C	
277A3	1000023004	1	pcs	holder	holder		C	
278A1	1000036786	1	pcs	power supply	power supply		C	
278A1	1000023004	1	pcs	holder	holder		C	
278A1	1000023005	1	pcs	text plate	text plate		C	
278A1	1000008085	1	pcs	terminal block	terminal block		D	
278A1	1000008301	1	pcs	bus controller module	bus controller module		C	
278A3	1000008302	1	pcs	bus controller module	bus controller module		C	
278A3	1000023005	1	pcs	text plate	text plate		C	
278A3	1000008085	1	pcs	terminal block	terminal block		D	
278A3	1000023006	1	pcs	output module	output module		C	
278A3	1000023004	1	pcs	holder	holder		C	
279A1	1000008085	1	pcs	terminal block	terminal block		D	
279A1	1000023004	1	pcs	holder	holder		C	
279A1	1000008301	1	pcs	bus controller module	bus controller module		C	
279A1	1000036786	1	pcs	power supply	power supply		C	
279A1	1000023005	1	pcs	text plate	text plate		C	
279A3	1000023004	1	pcs	holder	holder		C	
279A3	1000008302	1	pcs	bus controller module	bus controller module		C	
279A3	1000008085	1	pcs	terminal block	terminal block		D	
279A3	1000023005	1	pcs	text plate	text plate		C	
279A3	1000023007	1	pcs	output module	output module		C	
279A5	1000008085	1	pcs	terminal block	terminal block		D	
279A5	1000023004	1	pcs	holder	holder		C	
279A5	1000008302	1	pcs	bus controller module	bus controller module		C	
279A5	1000023007	1	pcs	output module	output module		C	

ECN	Item number	Qty	Unit	Item description (native)	Item description	Specification	RSPC	Detail
279A5	1000023005	1	pcs	text plate	text plate		C	
279A7	1000008085	1	pcs	terminal block	terminal block		D	
279A7	1000023007	1	pcs	output module	output module		C	
279A7	1000023004	1	pcs	holder	holder		C	
279A7	1000023005	1	pcs	text plate	text plate		C	
279A7	1000008302	1	pcs	bus controller module	bus controller module		C	
400F1	Z013125	3	pcs	fuse	fuse	UL-listed, CSA Certified	C	
400F1	Z013124	1	pcs	fuse-holder	fuse-holder	UL-listed, CSA Certified	D	
400K6	1000022240	1	pcs	relay	relay		C	
400T1	1000023853	1	pcs	soft starter	soft starter		C	
400W1	5000012456	3000	m	cable	cable	4G6 numbered, CSA	C	
401S3	1000022510	1	pcs	connection element	connection element		C	
401S3	1000022467	1	pcs	push button	push button		C	
401S3	1000022519	1	pcs	membrane	membrane		B	
401S3	1000022514	1	pcs	adapter	adapter		C	
401S3	1000022533	1	pcs	led	led		C	
401W3	Z012447	3500	m	cable	cable	3G0,75 numbered, CSA	D	
402K5	1000022253	1	pcs	magnetic switch	magnetic switch		D	
402Q1	1000022363	1	pcs	motor-protective switch	motor-protective switch		C	
402Q1	1000022375	1	pcs	rail	rail		D	
402Q1	1000022387	1	pcs	auxiliary contact	auxiliary contact		D	
402Q1	1000022385	1	pcs	terminal	terminal		C	
402W1	Z012792	3500	m	cable	cable	4G1,5 numbered, CSA	D	
403W5	Z012445	2000	m	cable	cable	4x0,34 colored, shielded, CSA	D	
410F1	E002544	3	pcs	fuse	fuse	UL-listed, CSA Certified	D	
410F1	E002379	1	pcs	fuse-holder	fuse-holder	UL-listed, CSA Certified, DIN Mount	D	
410T0	1000425295	1	pcs	frequency converter	frequency converter		C	y
410W1	5000323961	3500	m	cable	cable	4G0,75 numbered, shielded, CSA	C	
410W2	Z012447	3500	m	cable	cable	3G0,75 numbered, CSA	D	
412W1	Z012445	3500	m	cable	cable	4x0,34 colored, shielded, CSA	D	
600S3	1000022510	1	pcs	connection element	connection element		C	
600S3	1000022467	1	pcs	push button	push button		C	
600S3	1000022533	1	pcs	led	led		C	
600S3	1000022519	1	pcs	membrane	membrane		B	
600S3	1000022514	1	pcs	adapter	adapter		C	
600W1	Z012450	3000	m	cable	cable	3G1,5 numbered, CSA	D	

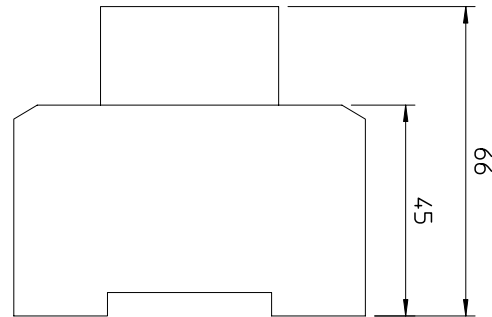
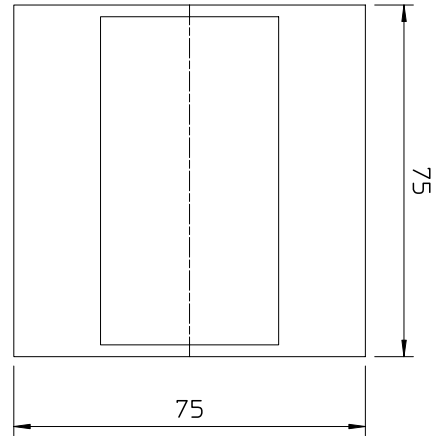
ECN	Item number	Qty	Unit	Item description (native)	Item description	Specification	RSPC	Detail
600W2	1000101848	10000	m	cable	cable		D	
610K1	1000022240	1	pcs	relay	relay		C	
610K3	1000022240	1	pcs	relay	relay		C	
610S5	1000022519	1	pcs	membrane	membrane		B	
610S5	1000022514	1	pcs	adapter	adapter		C	
610S5	1000268040	1	pcs	push button	push button	heads only, IP66, UL/CSA	D	
610S5	1000022510	1	pcs	connection element	connection element		C	
610S5	1000022511	1	pcs	connection element	connection element		C	
612S1	1000022467	1	pcs	push button	push button		C	
612S1	1000022514	1	pcs	adapter	adapter		C	
612S1	1000022519	1	pcs	membrane	membrane		B	
612S1	1000022533	1	pcs	led	led		C	
612S1	1000022510	1	pcs	connection element	connection element		C	
620K5	1000023409	1	pcs	relay	relay		D	
630K1	1000203489	1	pcs	amplifier module	amplifier module	24 VDC +40 % -10 %	C	
630W7	Z012445	2000	m	cable	cable	4x0,34 colored, shielded, CSA	D	
632T2	1000104310	1	pcs	spark absorber	spark absorber		D	y
651T2	1000104310	1	pcs	spark absorber	spark absorber		D	y
670K1	1000023409	1	pcs	relay	relay		D	
670K3	1000023409	1	pcs	relay	relay		D	
680K5	1000023409	1	pcs	relay	relay		D	
700W4	Z012449	3000	m	cable	cable	12G0,75 numbered, CSA	D	
700W5	Z012449	5000	m	cable	cable	12G0,75 numbered, CSA	D	
720W9	5000362508	5000	m	cable	cable	18G0,75 numbered, CSA	C	
722K7	1000022253	1	pcs	magnetic switch	magnetic switch		D	
723Q1	1000022362	1	pcs	motor-protective switch	motor-protective switch		C	
723W1	Z012792	2000	m	cable	cable	4G1,5 numbered, CSA	D	
900X2	1000311164	1	pcs	electrical connector	electrical connector	RJ45-connector, Angled, 8P, IP20	D	
900X5	1000023477	1	pcs	connection block	connection block	Patchpanel RJ45-RJ45	D	
900WP3	E099108	1	pcs	cable	cable	RJ-45 AWG24	D	
910K6	1000277518	1	pcs	relay	relay	24VDC, 1 PDT	C	
910K8	1000277518	1	pcs	relay	relay	24VDC, 1 PDT	C	
915K6	1000277518	1	pcs	relay	relay	24VDC, 1 PDT	C	
915K8	1000277518	1	pcs	relay	relay	24VDC, 1 PDT	C	



ECN	Item number	Qty	Unit	Item description (native)	Item description	Specification	RSPC	Detail



Pos	Item number	Quantity	Unit	Item description (native)	Item description	Specification	RSPC	Detail
1	1000104046	1	pcs	housing	housing		D	
2	1000110412	1	pcs	printed circuit board	printed circuit board		D	
3	1000104049	4	pcs	diode	diode		C	
4	1000104050	4	pcs	diode	diode		C	
5	1000110461	1	pcs	cooling plate	cooling plate		D	
6	1000104296	2	pcs	support	support		D	
7	K001172	4	pcs	cheese-head screw	cheese-head screw		D	
8	K001125	4	pcs	spring ring	spring ring	M4	D	
9	E005025	2	pcs	eye-cable lug	eye-cable lug		D	



Pilz PNOZ Multi mm0.1p 24VDC

Safety Relay

Spring loaded terminals (set)

Memory Card

GEA FS article no: 1000240681

GEA FS article no: 1000257162

GEA FS article no: 1000075000

Built in

MultiFormer / FreshFormer



password: 13100 (view funktion and saving)
safety level 2

Troubleshooting doc.: 1090113240

CFS SERVICE

Provide safety control with settings archived in relevant software folder.

K:\ELEKTRO\MONTAGE_Settings\Pilz\Forming\1000280285_V1.00_MLF_PNOZ multi mm0.1p standard\
1000280285_V1.00_MLF_PNOZ multi mm0.1p standard

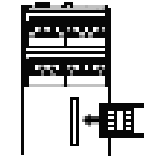
Item no:

1000280285

Load project via USB port

Procedure:

- ▶ Insert a chip card into the card slot on the base unit



- ▶ Connect the computer containing the PNOZmulti Configurator to the base unit via the USB port
- ▶ Switch on the supply voltage
- ▶ Download the project
- ▶ Once the project has been successfully downloaded, the status of the inputs and outputs and the supply voltage will be shown on the display. The "RUN"LED will be lit



The safety is safe if it has been tested according to PDI

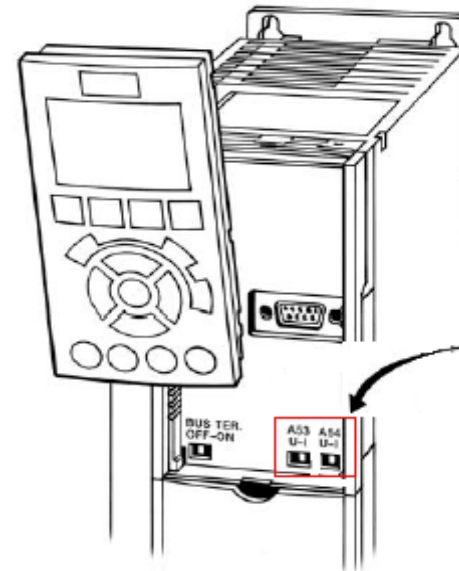
1000425295 frequency converter (frequency converter)

Danfoss FC302 0,75KW, 1,7A 525/600VAC 60Hz without brake

Frequency converter CFS article no: 1000023641
Graphic Display CFS article no: 1000023601

Machine Transport Conveyor
Motor Conveyor

NOTE 1:
Execution AMA: Factory Settings



Select the configuration of the analog input
by putting the switch S201 (A53) on "U" (0-10V)
by putting the switch S202 (A54) on "I" (0-20mA)

CFS SERVICE

Provide frequency converter with settings archived in relevant software folder.

O:\Elektro\MONTAGE_Settings\Danfoss\Forming\MultiFormer
1000425295_V1.00_Conveyor_575V (0,18kW_0,31A, 2-20m.min)

Item no:

1000425295

