

Right side motor as shown  
Left side motor opp. hand

**ELECTRICAL OPTIONS:**

- 110 VAC - 1ph
- 208/230 VAC - 1ph
- 208/230 VAC - 3ph
- 460 VAC - 3ph
- 575 VAC - 3ph
- ADDITIONAL CABLES
- STEEL CONTROL BOX
- STAINLESS CONTROL BOX

**ACTIVATORS:**

- PHOTOEYE
- PULL CORDS
- MOTION DETECTOR **OPTIONAL**
- RADIO CONTROL
- ADDITIONAL TRANSMITTERS
- PUSHBUTTON
- FLOOR LOOP
- OTHERS (see notes)

**MATERIAL:**

- SS SIDE GUIDES **OPTIONAL**
- SS SHAFTS, DRUMS, BEARINGS

**SIDE GUIDE COVERS:**

- STAINLESS **OPTIONAL**
- GALVANIZED
- POWDER COAT

**MOTOR COVER:**

- STAINLESS **OPTIONAL**
- GALVANIZED
- POWDER COAT

**DRUM HOOD COVER:**

- STAINLESS **OPTIONAL**
- GALVANIZED
- POWDER COAT

**CURTAIN:**

- BLACK 9005
- BROWN 8017
- BLUE 5002
- GREY 7035
- RED 3000
- YELLOW 1003
- GREEN 6005
- ORANGE 2004
- WHITE 9010
- FDA COMPLIANT
- T EGRESS
- SIMPLE EGRESS
- LOGO
- SPECIAL



**DYNACO**

**ENTRE//MATIC**

MADE IN USA

TEL. (800) 459 1930

**SLIMLINE BEAD SERIES**

APPROVAL DRAWING

PROJECT TITLE: Down Under

LOCATION:

QUOTE NO.: 290371A

END USER:

DEALER: Down Under

ARCHITECT ORG.:

REGIONAL MANAGER: Ken Malczyk

SCALE: DO NOT SCALE DRAWING

DATE: 7/11/17

REV.:

DRAWING NO.: Slimline Approval

SHEET: 1 of 3

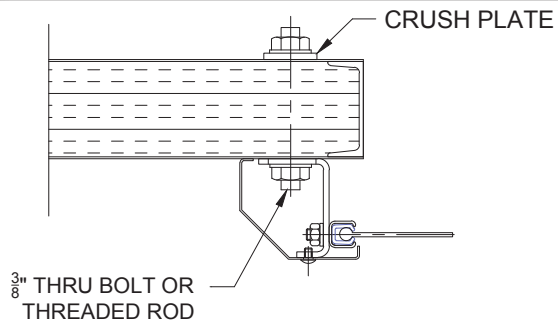
DOOR NO.:	QTY.:	OPENING SIZE (W x H):		NOTES:
	1	Width = 6' x 10'	Height =	
		Width =	Height =	
		Width =	Height =	
		Width =	Height =	
		Width =	Height =	
		Width =	Height =	

**APPROVED BY:**

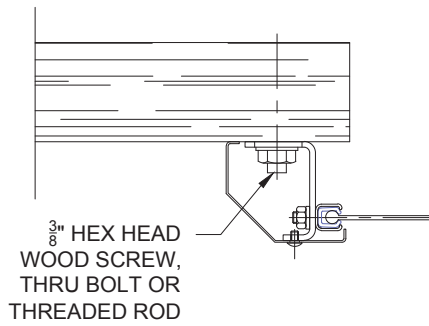
PRINT NAME: \_\_\_\_\_

SIGNATURE: \_\_\_\_\_

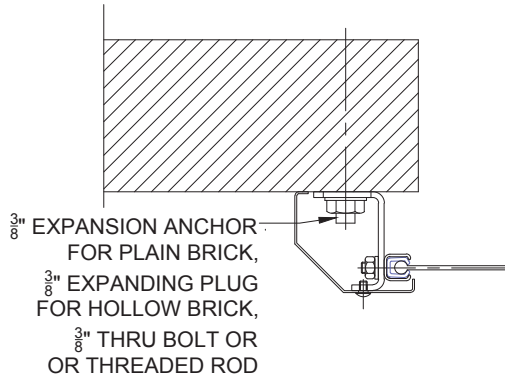
DATE: \_\_\_\_\_



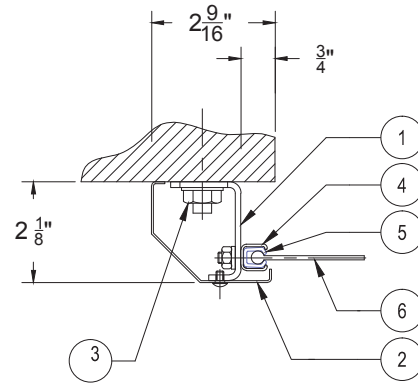
**INSULATED WALL**



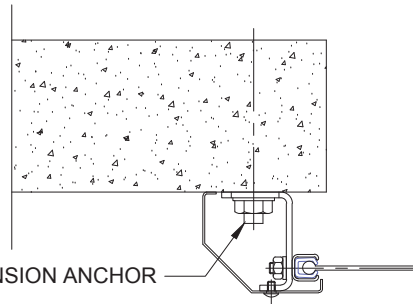
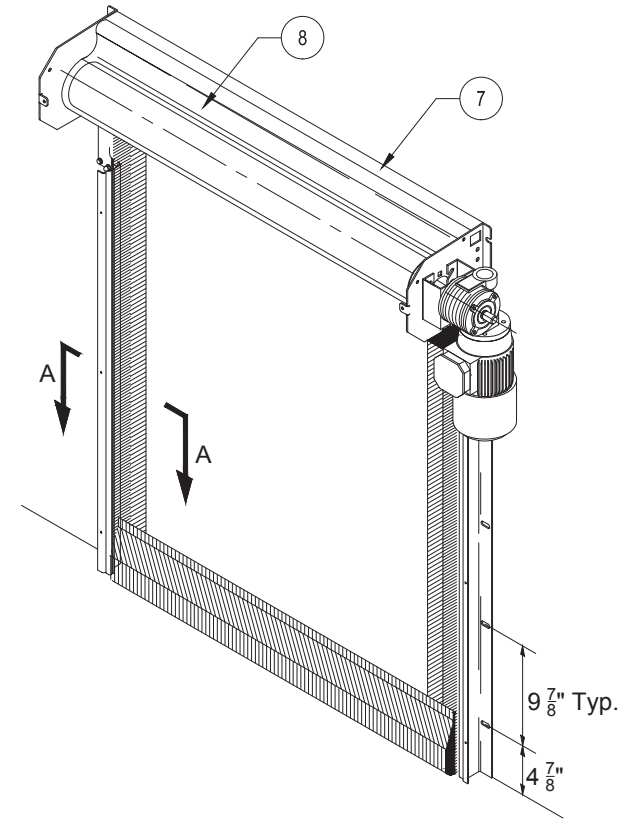
**WOODEN WALL**



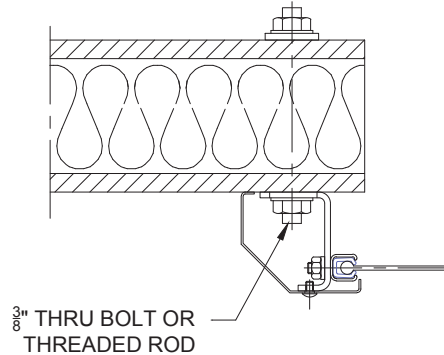
**BRICK WALL**



**TYPICAL SECTION "A-A"**



**CONCRETE WALL**



**METAL STUD WALL**

- 1 SIDE GUIDE
- 2 SIDE GUIDE COVER
- 3 ANCHOR/FASTENER
- 4 INNER SIDE GUIDE C-CHANNEL
- 5 INNER SIDE GUIDE PLASTIC
- 6 BEAD MATERIAL
- 7 TOP SEALING PROFILE
- 8 TOP SEALING FLAP

NOTES:

**APPROVED BY:**

PRINT NAME: \_\_\_\_\_

SIGNATURE: \_\_\_\_\_

DATE: \_\_\_\_\_



# DYNACO

## ENTRE//MATIC

MADE IN USA      TEL. (800) 459 1930

**SLIMLINE BEAD SERIES**

MOUNTING DETAILS (RIGHT HAND DRIVE)

PROJECT TITLE: Down Under

LOCATION: \_\_\_\_\_

QUOTE NO.: 290371A

END USER: \_\_\_\_\_

DEALER: Down Under

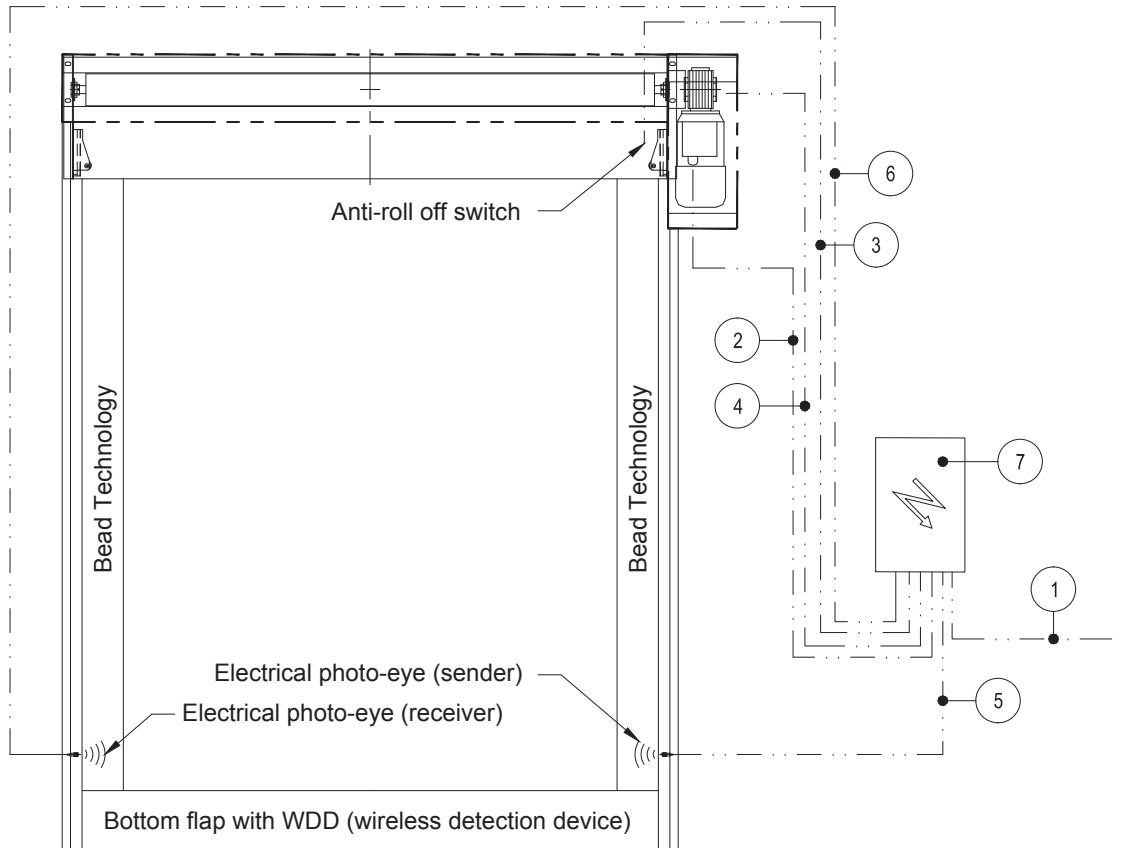
ARCHITECT ORG.: \_\_\_\_\_

REGIONAL MANAGER: Ken Malczyk

SCALE: DO NOT SCALE DRAWING

DATE: 7/11/17      REV.: \_\_\_\_\_

DRAWING NO.: Slimline Approval      SHEET: 2 of 3



- 1 Main power supply with bonded ground
- 2 Variable frequency drive cable to motor
- 3 Anti-roll off switch
- 4 Absolute encoder cable
- 5 Wiring for the photo-eye (sender)
- 6 Wiring for the photo-eye (receiver)
- 7 Control box 14" x 16" x 7"

Notes:

- When Dynaco cables are required to be routed in conduit, conduit is supplied by others.
- For Activator selection & motor side selection, see main APPROVAL DRAWING.



**DYNACO**

**ENTRE//MATIC**

MADE IN USA

TEL. (800) 459 1930

**SLIMLINE BEAD SERIES**

Approval drawing (electrical)

PROJECT TITLE: Down Under

LOCATION:

QUOTE NO.: 290371A

END-USER:

DEALER: Down Under

ARCHITECT ORG.:

REGIONAL MANAGER: Ken Malczyk

SCALE: DO NOT SCALE DRAWING

DATE: 7/11/17

REV.:

DRAWING NO.: Slimline Approval

SHEET: 3 of 3

NOTES:

**APPROVED BY:**

PRINT NAME: \_\_\_\_\_

SIGNATURE: \_\_\_\_\_

DATE: \_\_\_\_\_