

STEEL NOTES:

1. THE DESIGN, FABRICATION & ERECTION OF ALL STEEL COMPONENTS SHALL CONFORM TO CSA-S16-(LATEST) LIMIT STATES DESIGN OF STEEL STRUCTURES.
2. STRUCTURAL STEEL TO CONFORM TO MIN. CAN/CSA-G40.21, GRADE 350W (CLASS "H") FOR HOLLOW STRUCTURAL SECTIONS AND GRADE 300W FOR PLATES AND ALL OTHER SHAPES UNLESS OTHERWISE NOTED.
3. ALL NON STAINLESS STEEL BOLTS AND THREADED ROD TO BE MINIMUM 300W STEEL TO CAN/CSA-G40.21. BOLTS MAY BE ASTM A325, GALVANIZED.
4. WELDING SHALL CONFORM TO THE REQUIREMENTS OF CSA-W59-(LATEST) WELDED STEEL CONSTRUCTION AND SHALL BE CARRIED OUT BY WELDERS QUALIFIED IN ACCORDANCE WITH CSA-W47.1-(LATEST) CERTIFICATION OF COMPANIES FOR FUSION WELDING OF STEEL STRUCTURES.
5. STRUCTURAL STEEL SECTION SHALL BE NEW AND CONFORM TO CSA STANDARD G40.21 350W FOR WIDE FLANGE BEAM AND HOLLOW STRUCTURAL SECTIONS CLASS H, UNLESS NOTED OTHERWISE.
6. ALL CONNECTIONS TO BE DESIGNED BY FABRICATOR UNLESS NOTED OTHERWISE. ALL BEAM CONNECTIONS TO BE STANDARD FRAME BEAM CONNECTIONS OR EQUIVALENT AS APPROVED BY AJW ENGINEERING IN WRITING, UNLESS NOTED OTHERWISE.
7. CONNECTIONS AND SPLICES NOT SHOWN ON THE STRUCTURAL DRAWINGS BUT REQUESTED BY THE FABRICATOR MUST BE ACCEPTABLE TO AJW ENGINEERING AND DETAILED ON THE SHOP DRAWINGS. TESTING OF THESE CONNECTIONS SHALL BE AT THE DISCRETION OF AJW ENGINEERING AND TO THE CONTRACTORS ACCOUNT.
8. FABRICATION, ERECTION, STRUCTURAL DESIGN AND DETAILING OF ALL STEEL SHALL BE IN ACCORDANCE WITH CAN/CSA-S16.
9. FILLET WELDS SHALL BE 6mm MINIMUM UNLESS NOTED OTHERWISE.
10. BOLTS SHALL BE A325 3/4" Ø MINIMUM UNLESS NOTED OTHERWISE.
11. BOLTED CONNECTIONS SHALL HAVE A MINIMUM OF TWO BOLTS IN EACH CONNECTED PIECE AND BE DESIGNED AS BEARING CONNECTIONS, UNLESS NOTED OTHERWISE.
12. PROVIDE 6.4mm CAP PLATES FOR ALL HSS MEMBERS UNLESS NOTED OTHERWISE.
13. CONNECTION DETAILS SHOWN ON THE STRUCTURAL DRAWINGS SHALL NOT BE ALTERED BY THE CONTRACTOR WITHOUT WRITTEN APPROVAL FROM AJW ENGINEERING.
14. STEEL TO BE EXPOSED IN FINISHED WORK SHALL BE CLEANED, PREPARED, PRIMED AND PAINTED IN ACCORDANCE WITH CAN/CSA-S16 AND THE ARCHITECTURAL DRAWINGS AND PAINTING SPECIFICATION.
15. UPON INSTALLATION ALL ADJACENT CONTAINERS SHALL BE CONNECTED USING BRIDGE FITTINGS
16. FOUNDATIONS TO BEAR DIRECTLY ON MATERIAL SUITABLE NOTED BASE REACTIONS.

DESIGN LOAD :

CLIMATIC DATA- BARRIE/ELMVALE :

Sr = 0.4 kPa

SS = (Snow not Considered, activation is temporary)

q1/50 = 0.36 kPa

LL (GROUND FLOOR) = 4.8 kPa = 100 PSF

LL (SECOND FLOOR) = 2.4 kPa = 50 PSF

DL (WEIGHT OF 20' SHIPPING CONTAINER )= 5,000 LBS = 22.24 KN (TO BE CONFIRMED BY THE SUPPLIER)

F.S (OVERTURNING ) = 2.0

THE MAXIMUM (UN-FACTORED) AXIAL REACTIONS UNDER EACH CORNER NODE IS:

	Z (kN)	X (kN)	Y (kN)
DL =	7.14	0.0	0.0
LL =	31.0	0.0	0.0
WIND (X) =	-/+0.67	-/+0.55	-/+0.19
WIND (Y) =	-/+1.07	-/+0.42	-/+1.27
WIND (ROOF) =	-2.47	-/+0.82	-/+0.20

SEE A-001 FOR AXIS ORIENTATION.



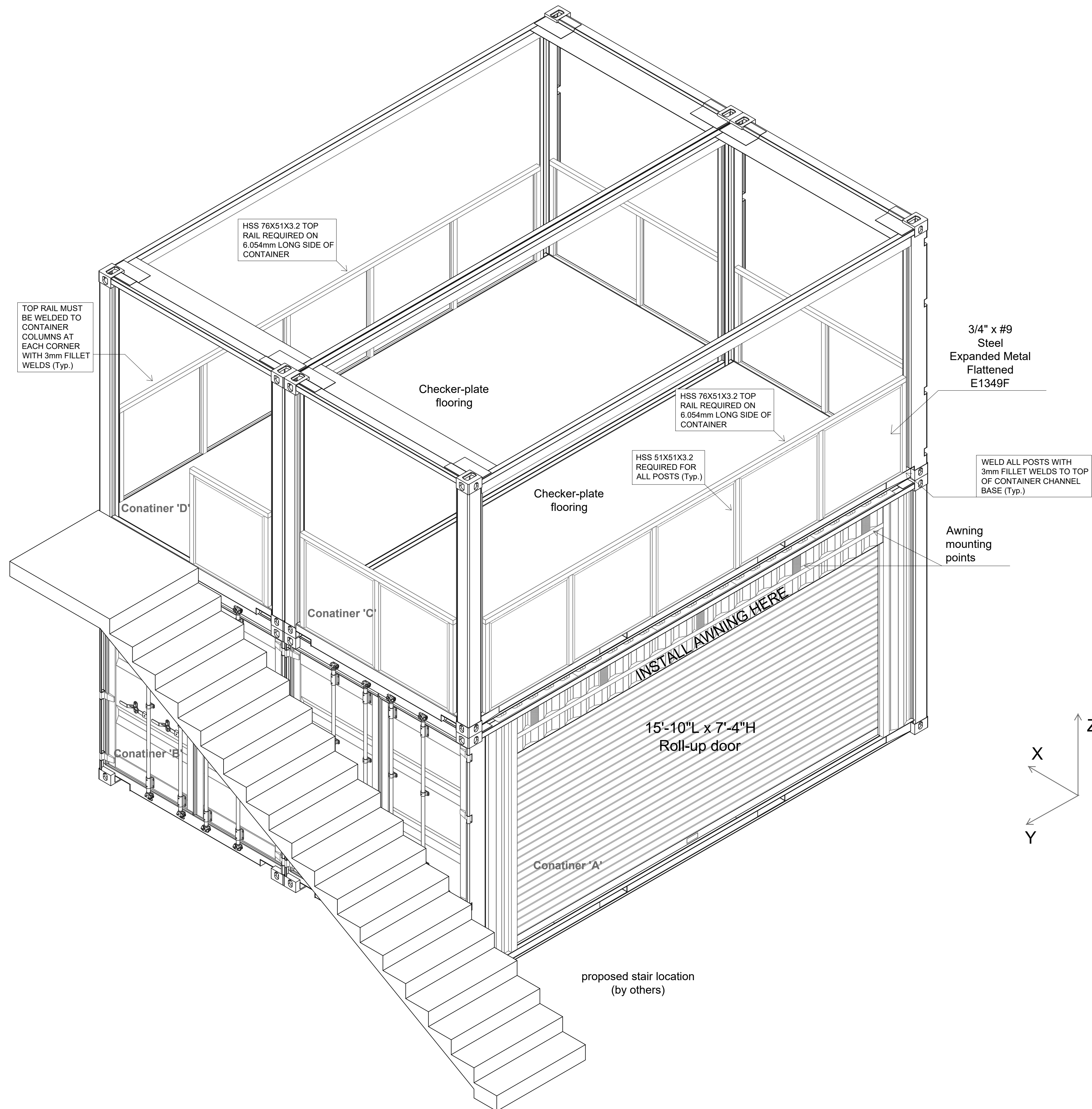
PID 10840 R2

DWG # GPS475

17 JUNE 2019

- ASTOUND-

V 6



NW ISO VIEW

CLIENT  
**Astound**

DWG #  
**GCS475**

DATE  
**17-Jun-19**

DRAWN BY  
**F. Fontana**

SALES REP  
**R. Lasagna**

DRAWINGS STATUS  
**DETAIL DRAWINGS**

REVISIONS LOG

#	DATE	DESCRIPTION
1	May, 29	First issue

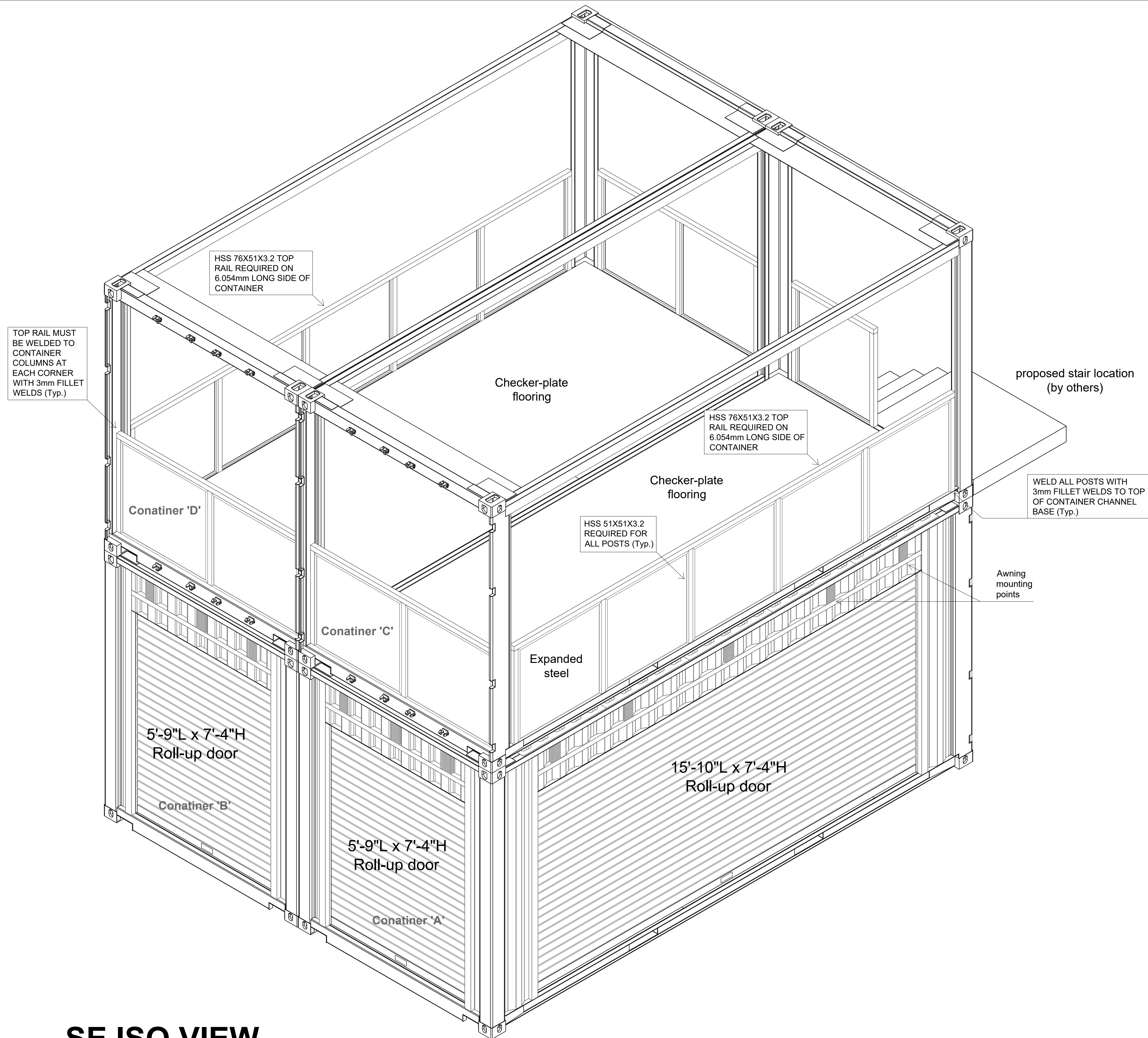
NOTES, STAMP, SIGNATURE



PID 10840 R2

**A-001**

The drawings are designed by Giant Containers, it's forbidden to show to the third party without writing permission.



**SE ISO VIEW**

CLIENT  
**Astound**

DWG #  
**GCS475**

DATE  
**17-Jun-19**

DRAWN BY  
**F. Fontana**

SALES REP  
**R. Lasagna**

DRAWINGS STATUS  
**DETAIL DRAWINGS**

REVISIONS LOG

#	DATE	DESCRIPTION
1	May, 29	First issue

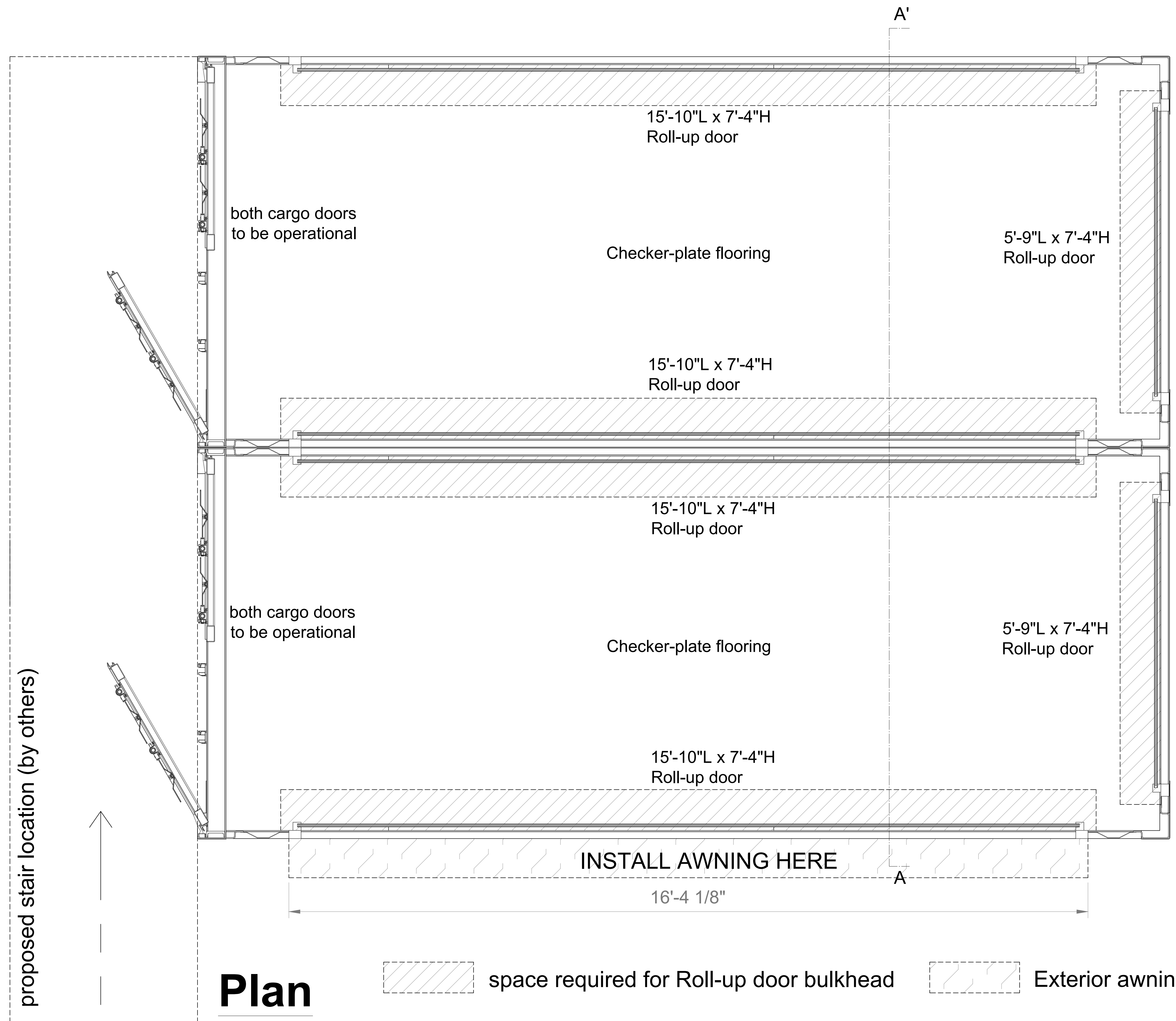
NOTES, STAMP, SIGNATURE



PID 10840 R2

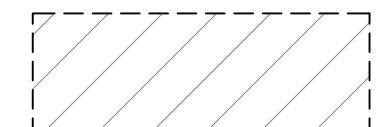
**A-002**

The drawings are designed by Giant Containers, it's forbidden to show to the third party without writing permission.

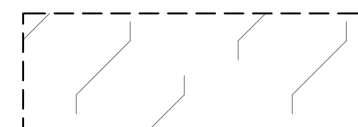


proposed stair location (by others)

**Plan**



space required for Roll-up door bulkhead



Exterior awning

**CLIENT**  
Astound

**DWG #**  
GCS475

**DATE**  
17-Jun-19

**DRAWN BY**  
F. Fontana

**SALES REP**  
R. Lasagna

**DRAWINGS STATUS**  
DETAIL DRAWINGS

**REVISIONS LOG**

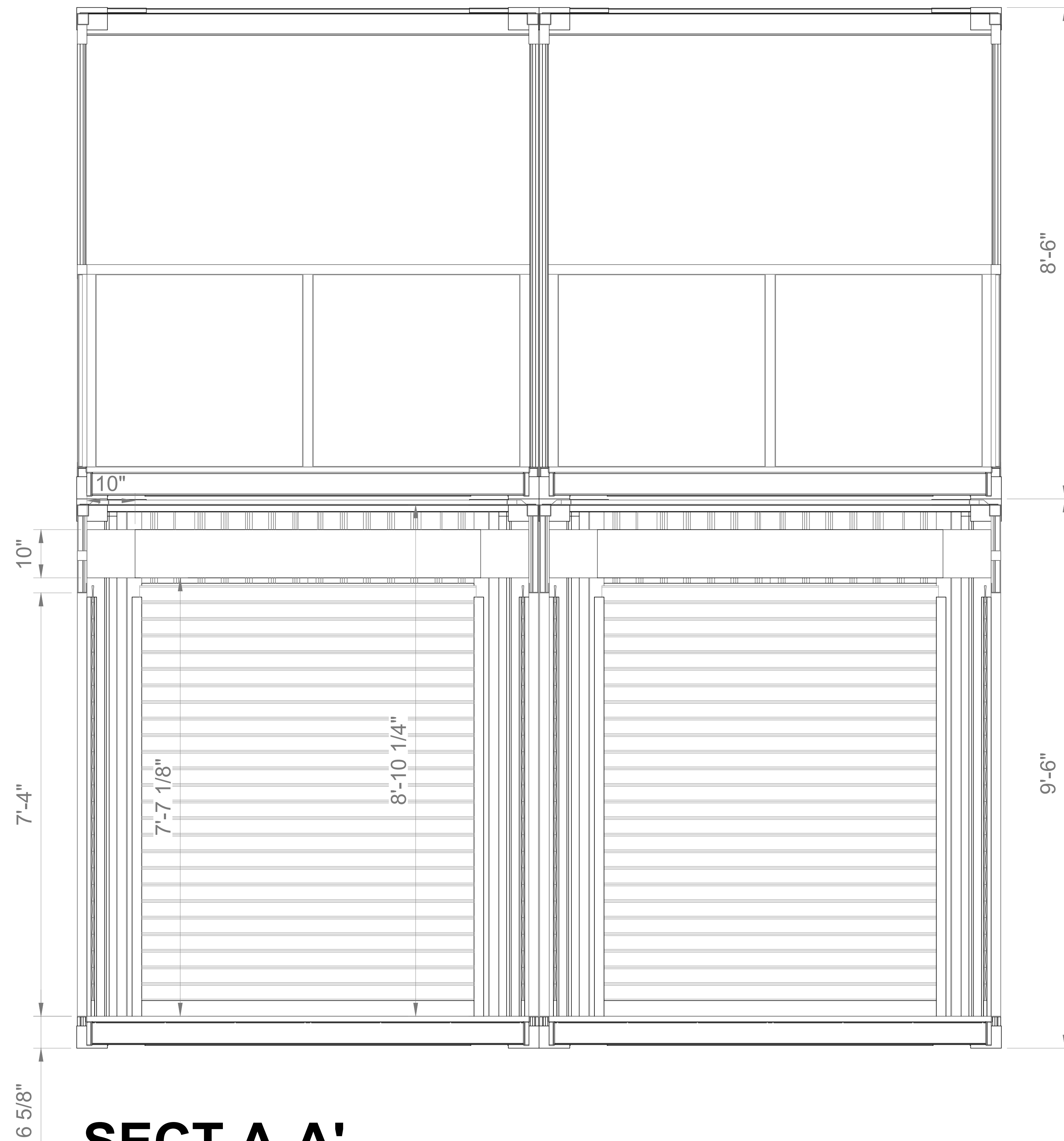
#	DATE	DESCRIPTION
1	May, 29	First issue

**NOTES, STAMP, SIGNATURE**

PID 10840 R2

**A-003**

The drawings are designed by Giant Containers, it's forbidden to show to the third party without writing permission.



[2] 20Ft STD height

8'-6"

[2] 20Ft HC height

9'-6"

10"

7'-4"

6 5/8"

10"

7'-7 1/8"

8'-10 1/4"

# SECT A-A'

CLIENT  
**Astound**

DWG #  
**GCS475**

DATE  
**17-Jun-19**

DRAWN BY  
**F. Fontana**

SALES REP  
**R. Lasagna**

DRAWINGS STATUS  
**DETAIL  
DRAWINGS**

REVISIONS LOG

#	DATE	DESCRIPTION
1	May, 29	First issue

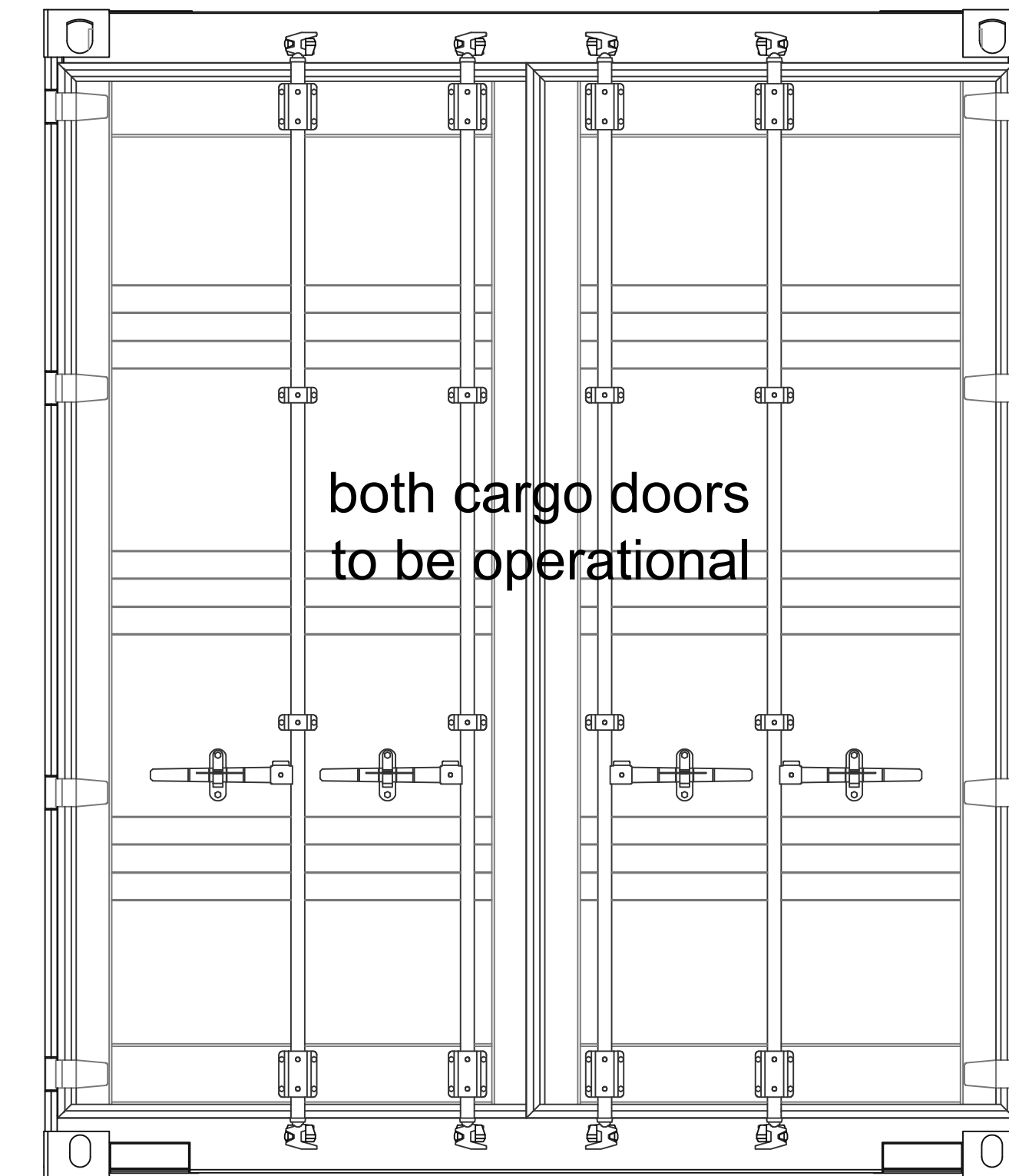
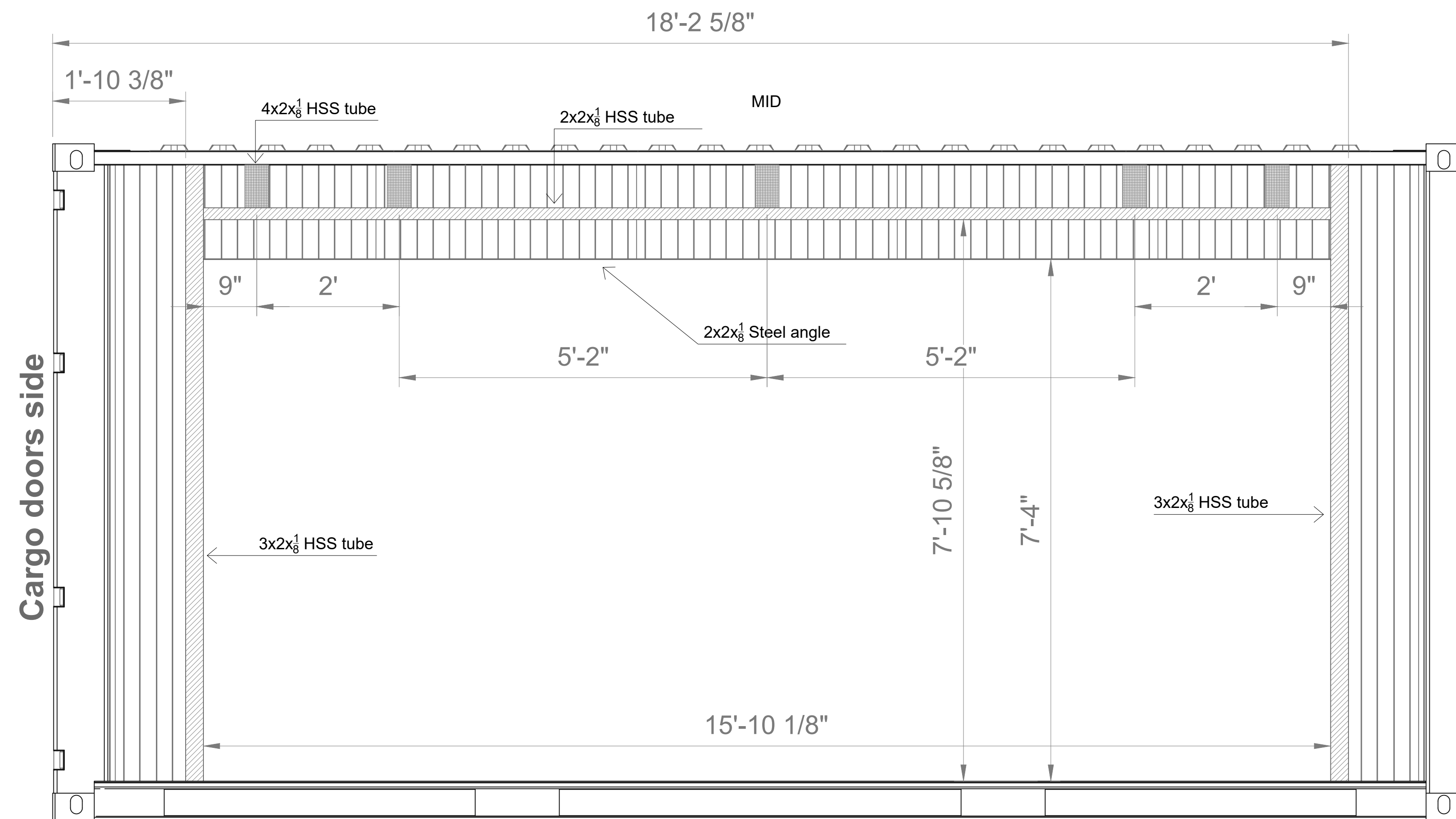
NOTES. STAMP. SIGNATURE



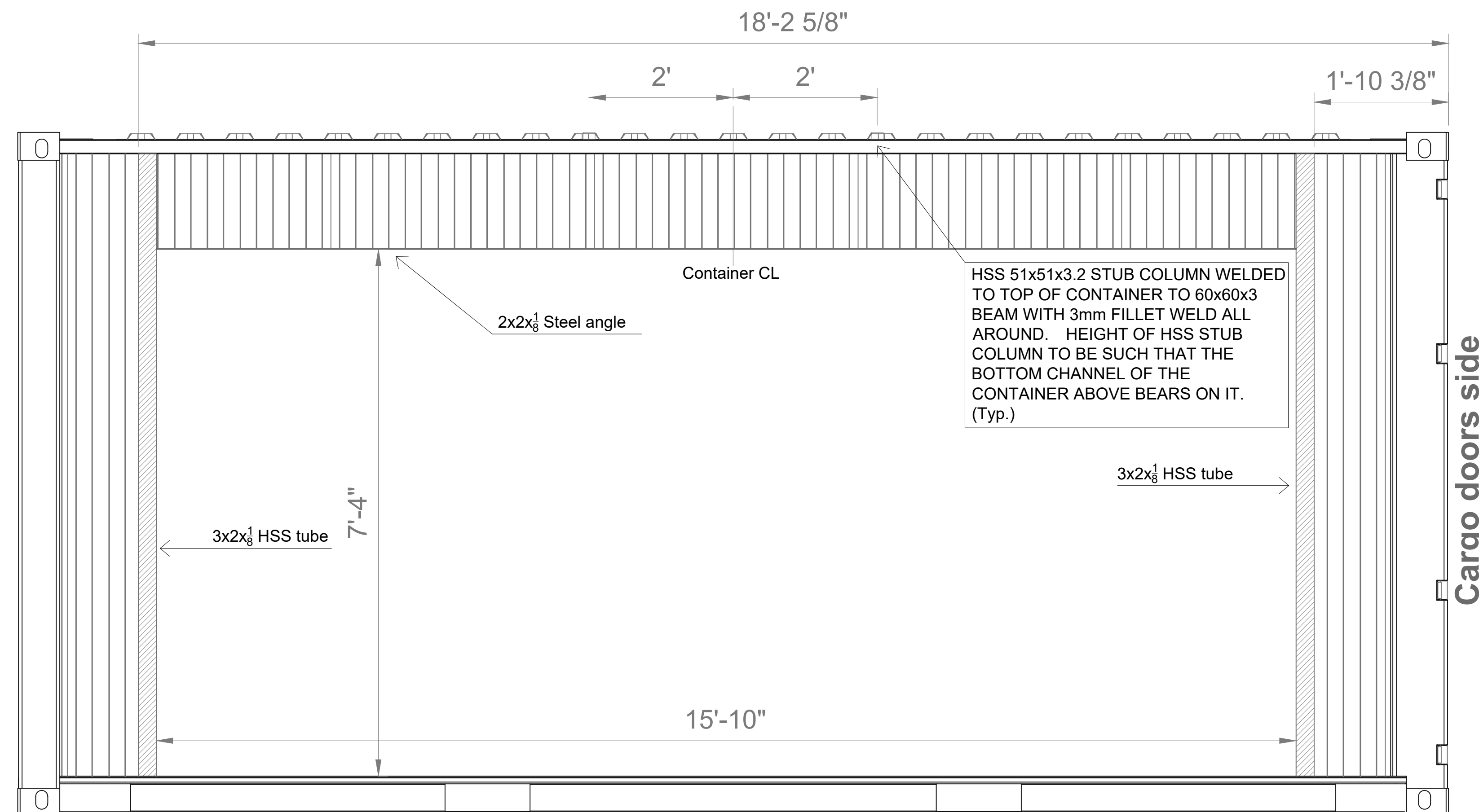
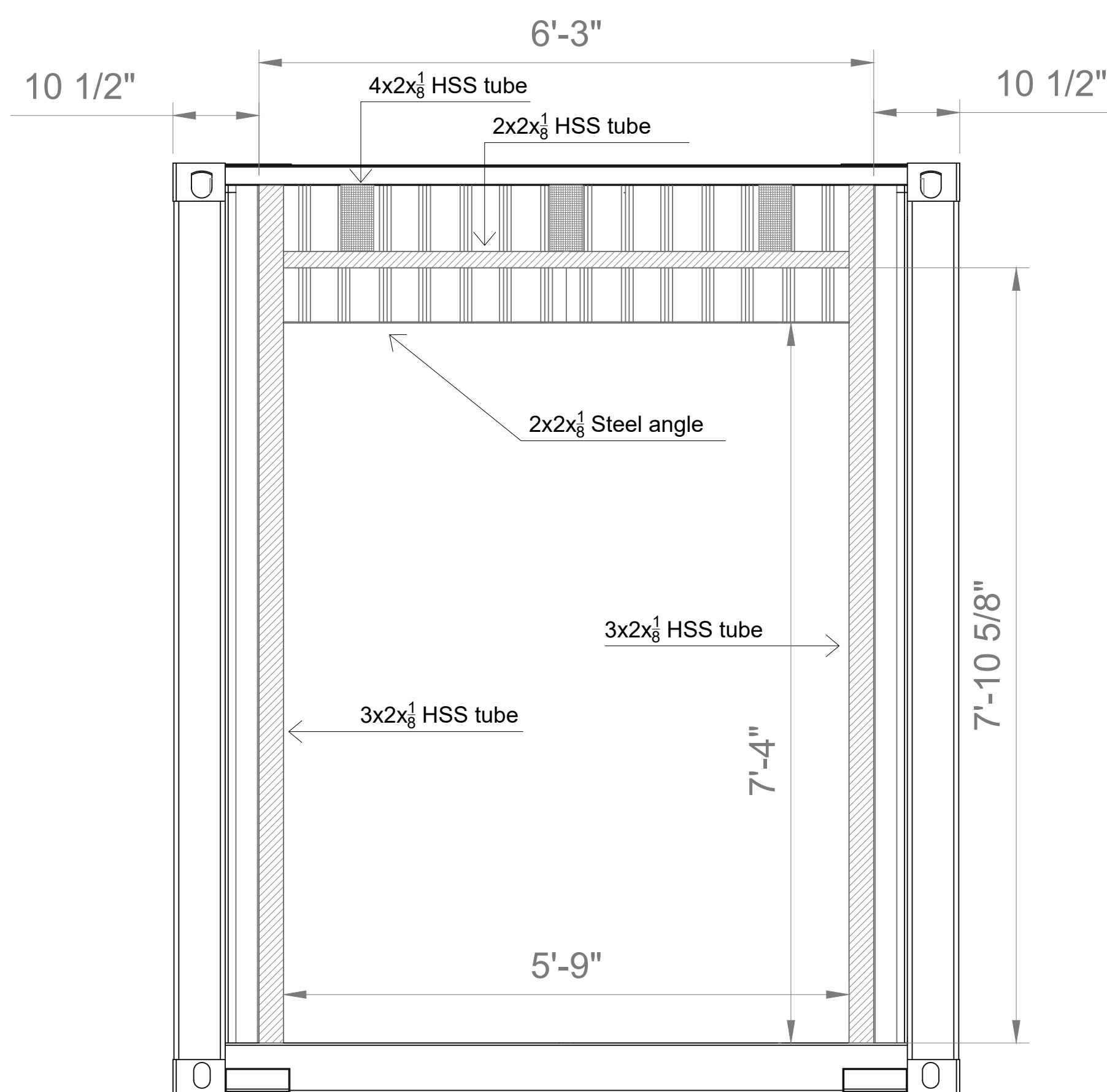
PID 10840 R2

**A-004**

The drawings are designed by Giant Containers, it's forbidden to show to the third party without writing permission.



Conatiner 'A'



CLIENT  
Astound

DWG #  
GCS475

DATE  
17-Jun-19

DRAWN BY  
F. Fontana

SALES REP  
R. Lasagna

DRAWINGS STATUS

DETAIL  
DRAWINGS

REVISIONS LOG

#	DATE	DESCRIPTION
1	May, 29	First issue

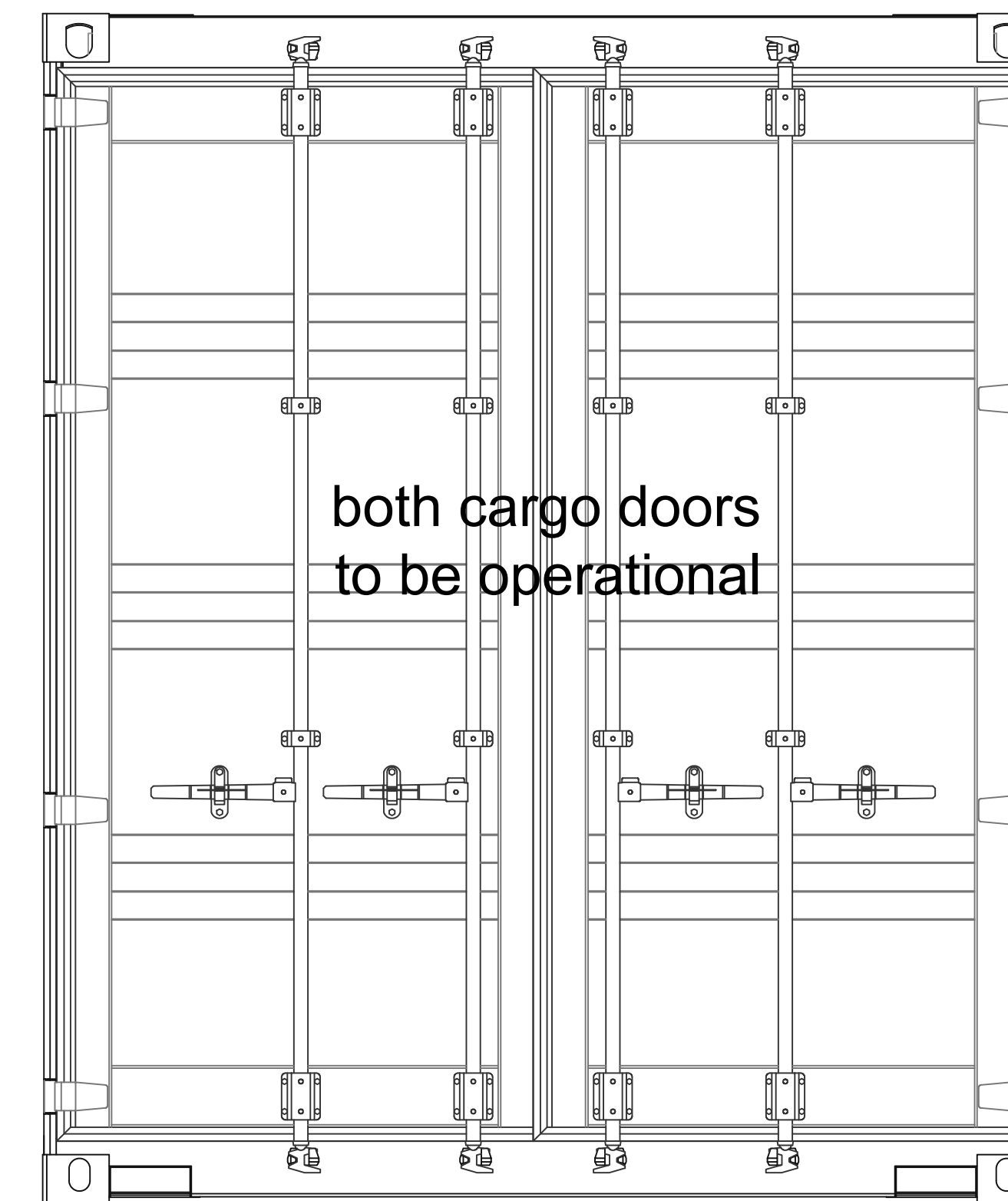
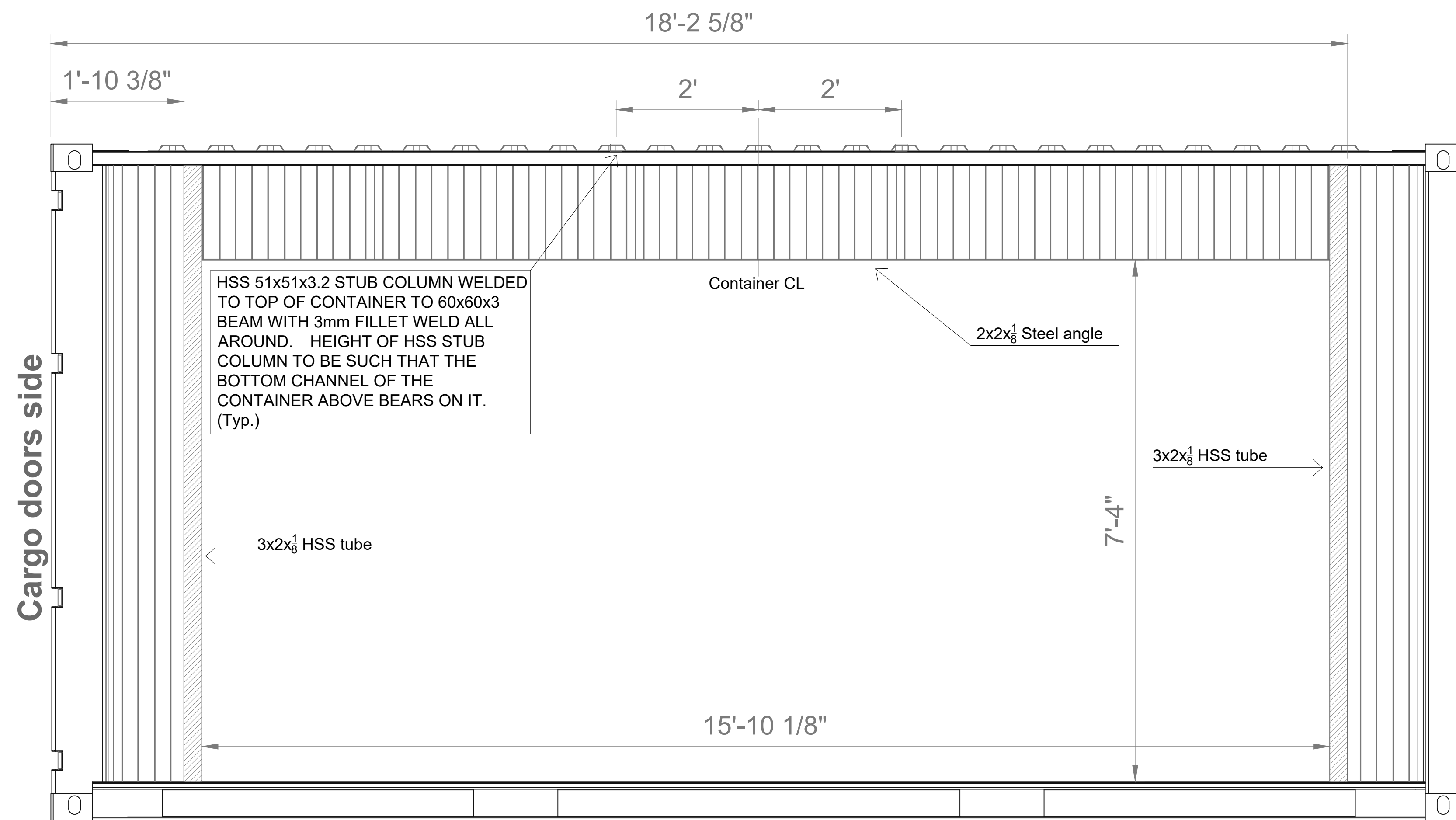
NOTES, STAMP, SIGNATURE



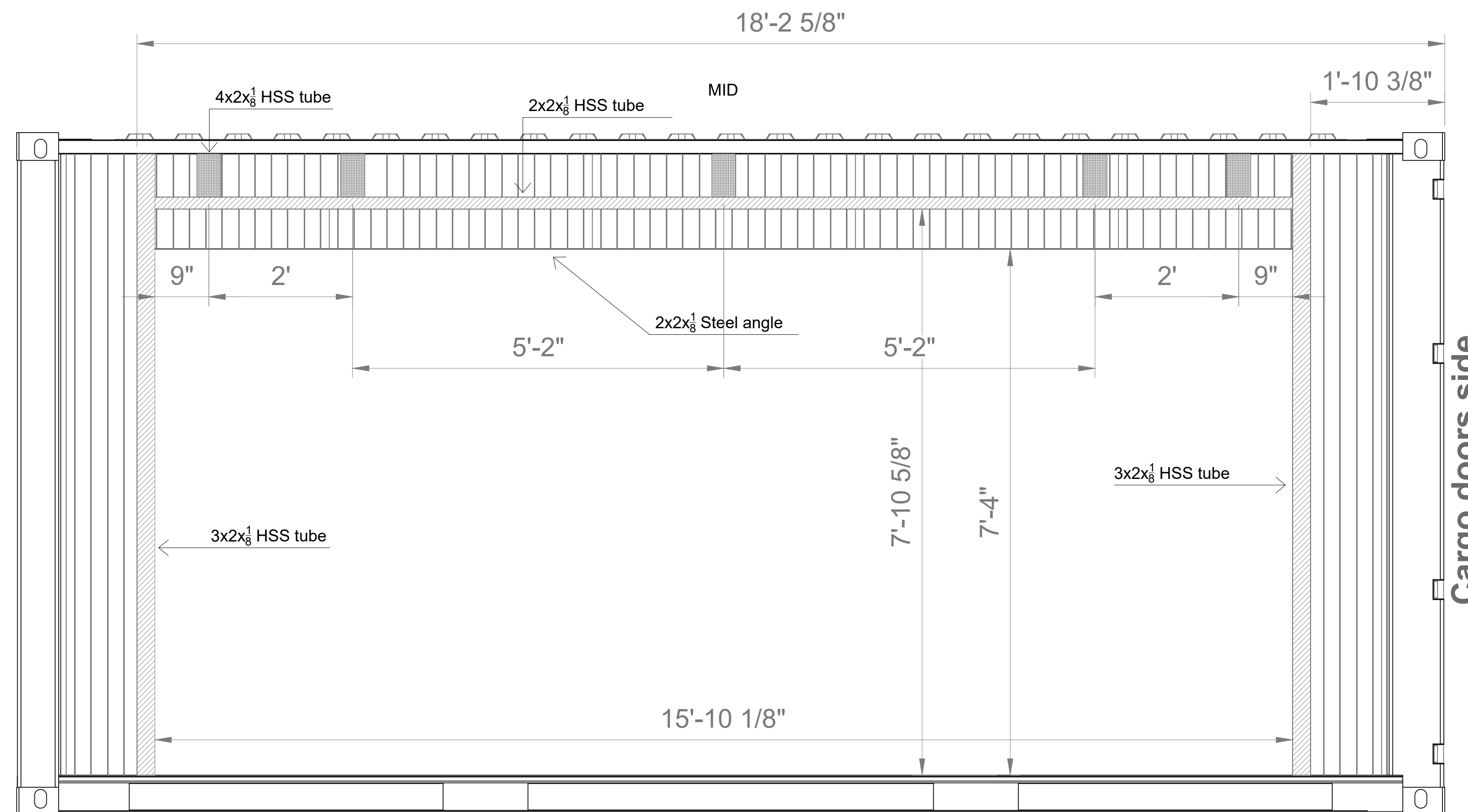
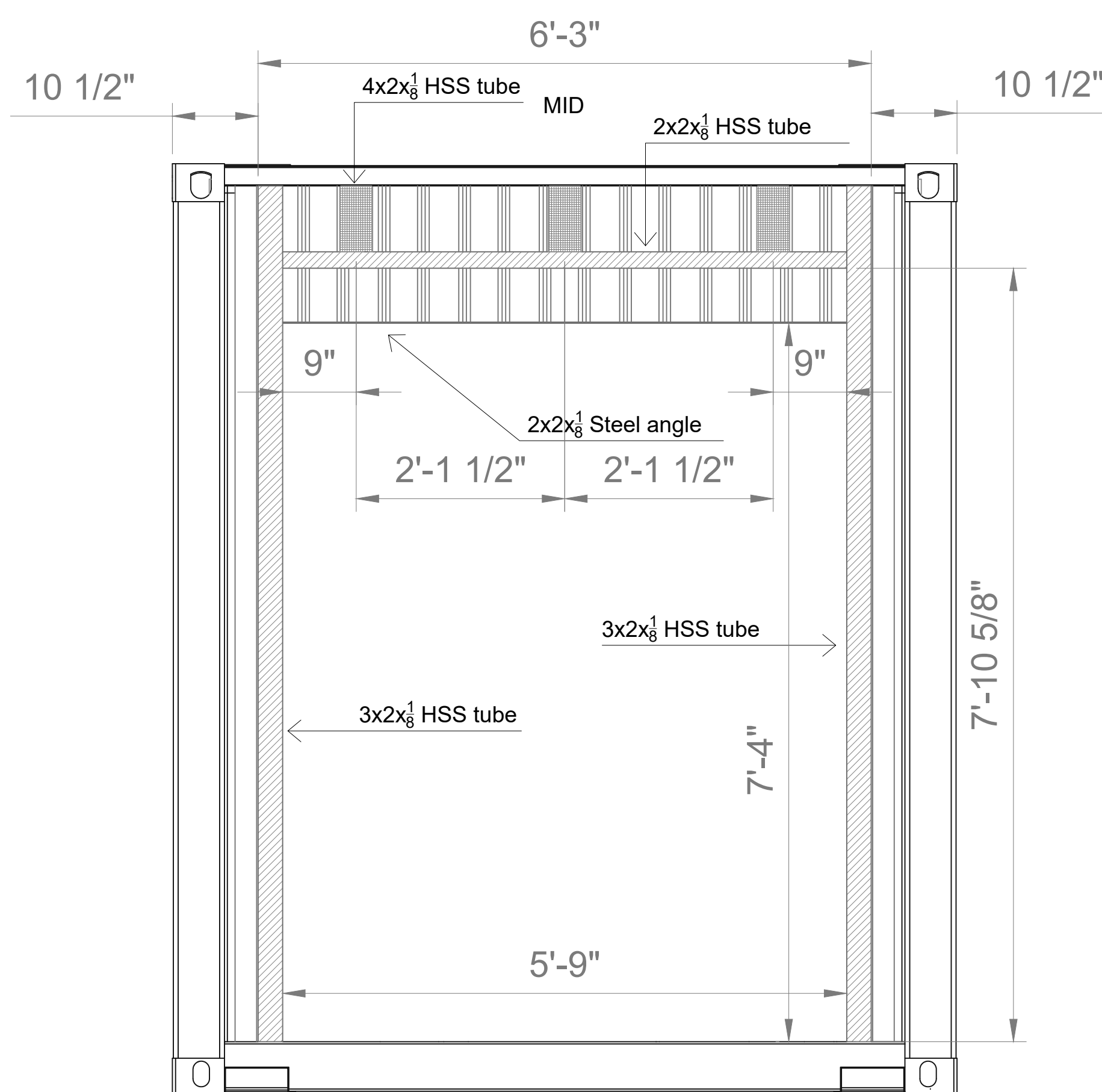
PID 10840 R2

A-005

The drawings are designed by Giant Containers, it's forbidden to show to the third party without writing permission.



Container 'B'



CLIENT  
**Astound**

DWG #  
**GCS475**

DATE  
**17-Jun-19**

DRAWN BY  
**F. Fontana**

SALES REP  
**R. Lasagna**

DRAWINGS STATUS  
**DETAIL DRAWINGS**

REVISIONS LOG

#	DATE	DESCRIPTION
1	May, 29	First issue

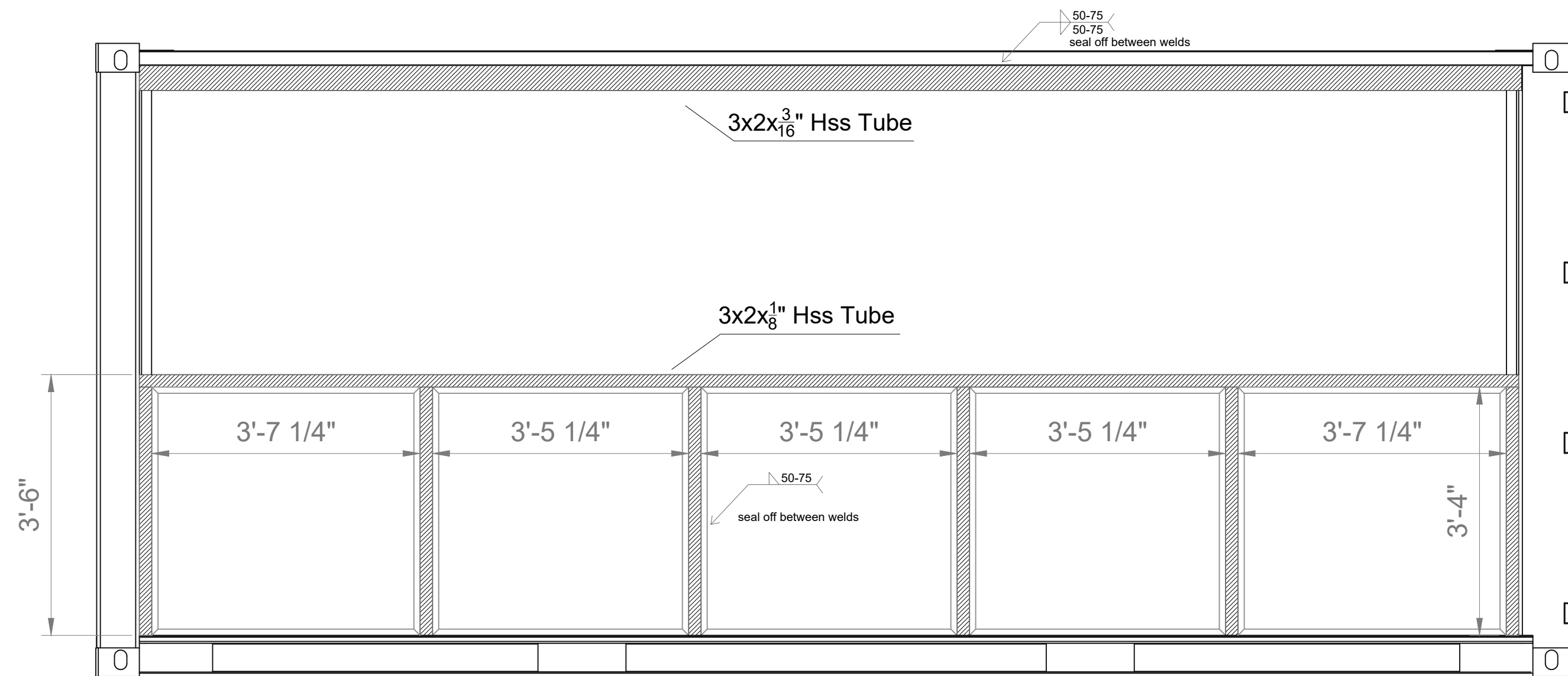
NOTES, STAMP, SIGNATURE



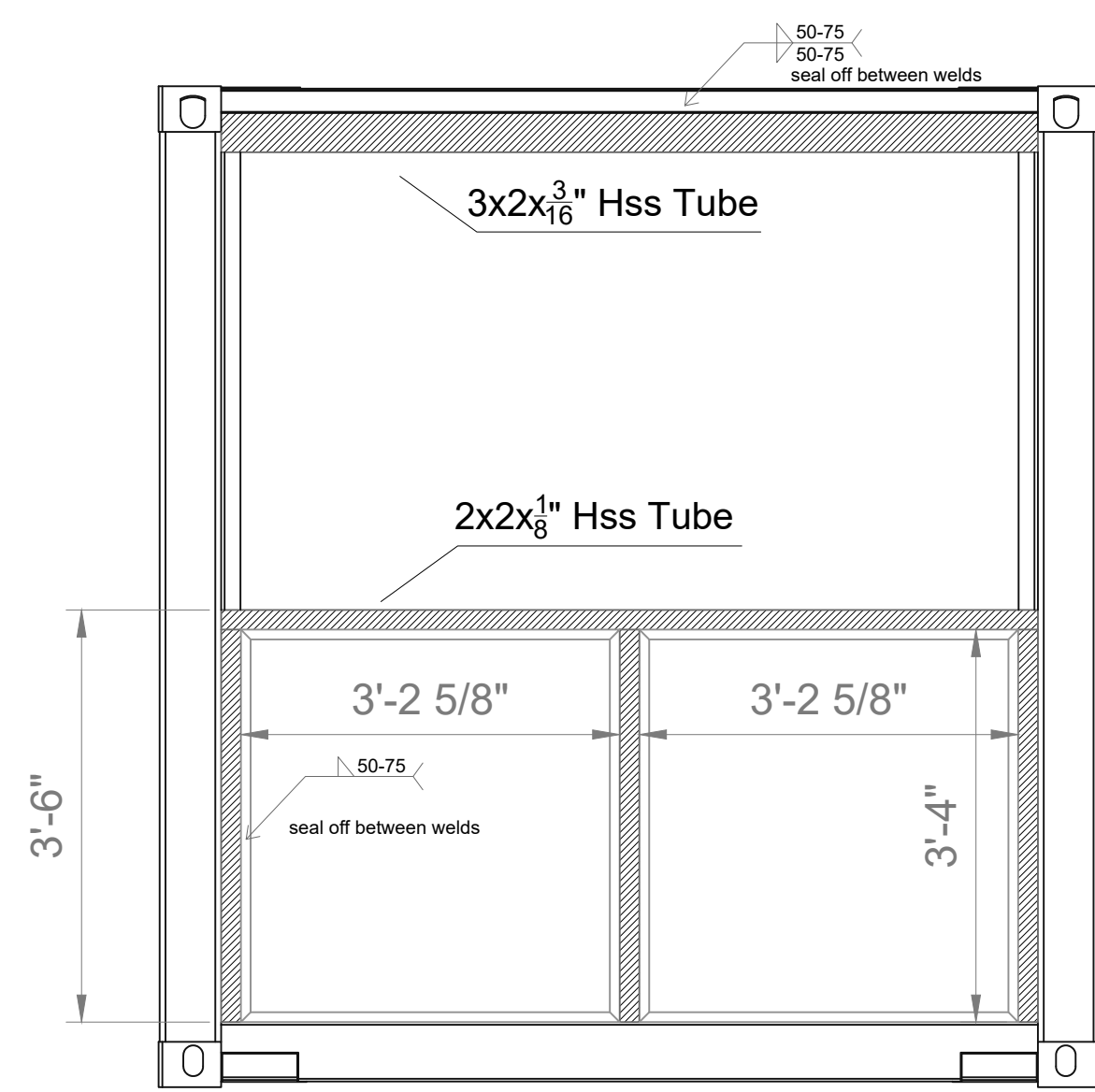
PID 10840 R2

**A-006**

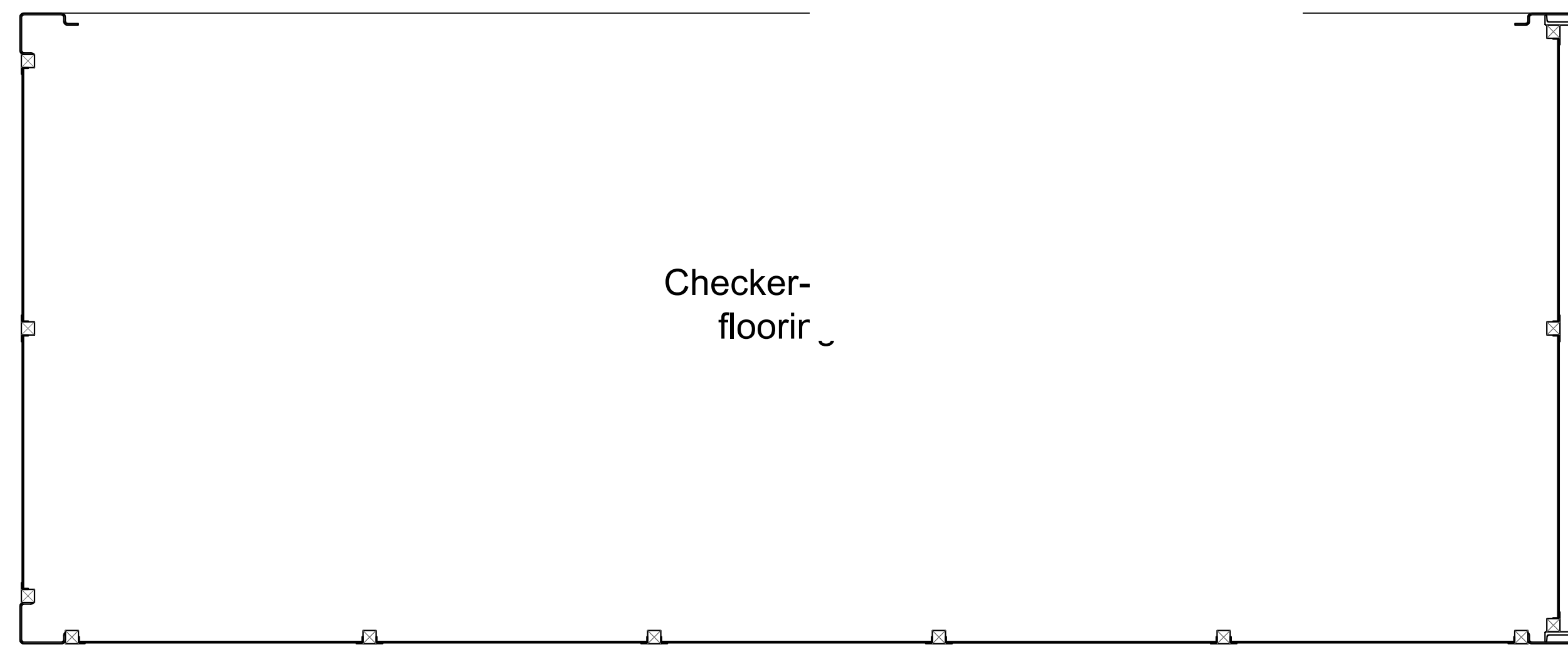
The drawings are designed by Giant Containers, it's forbidden to show to the third party without writing permission.



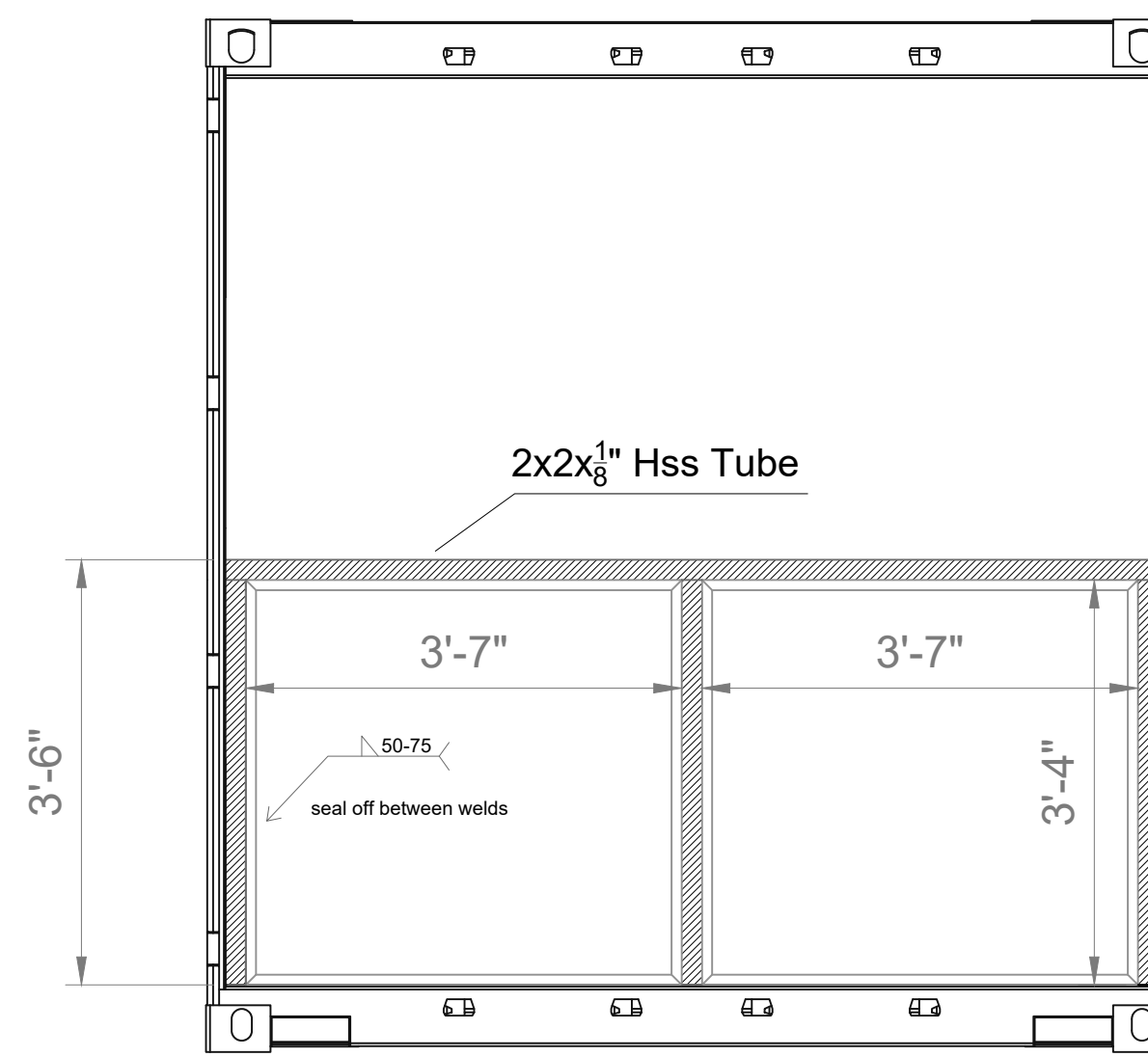
Left Elevation



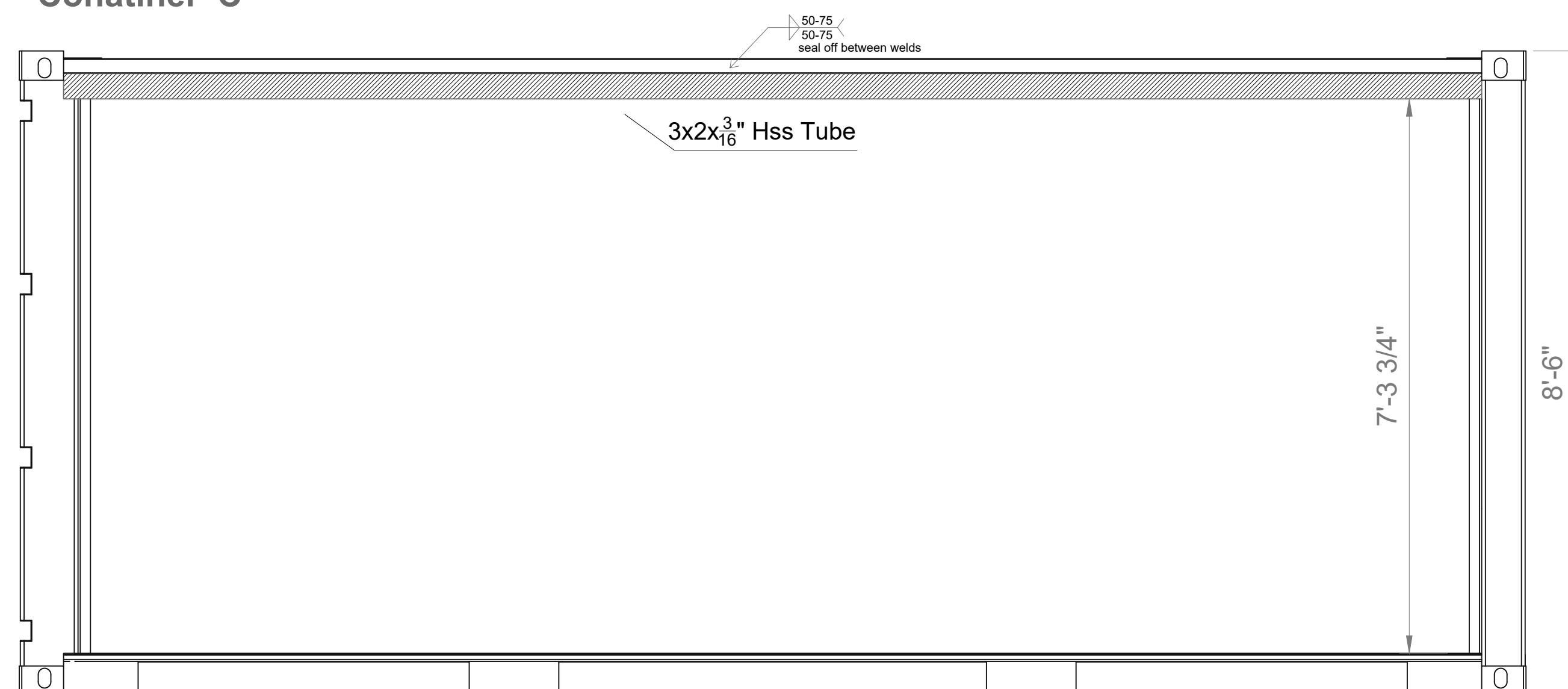
Front Elevation



Plan  
Conatiner 'C'



Back Elevation



Right Elevation

CLIENT  
**Astound**

DWG #  
**GCS475**

DATE  
**17-Jun-19**

DRAWN BY  
**F. Fontana**

SALES REP  
**R. Lasagna**

DRAWINGS STATUS  
**DETAIL  
DRAWINGS**

REVISIONS LOG

#	DATE	DESCRIPTION
1	May, 29	First issue

NOTES, STAMP, SIGNATURE

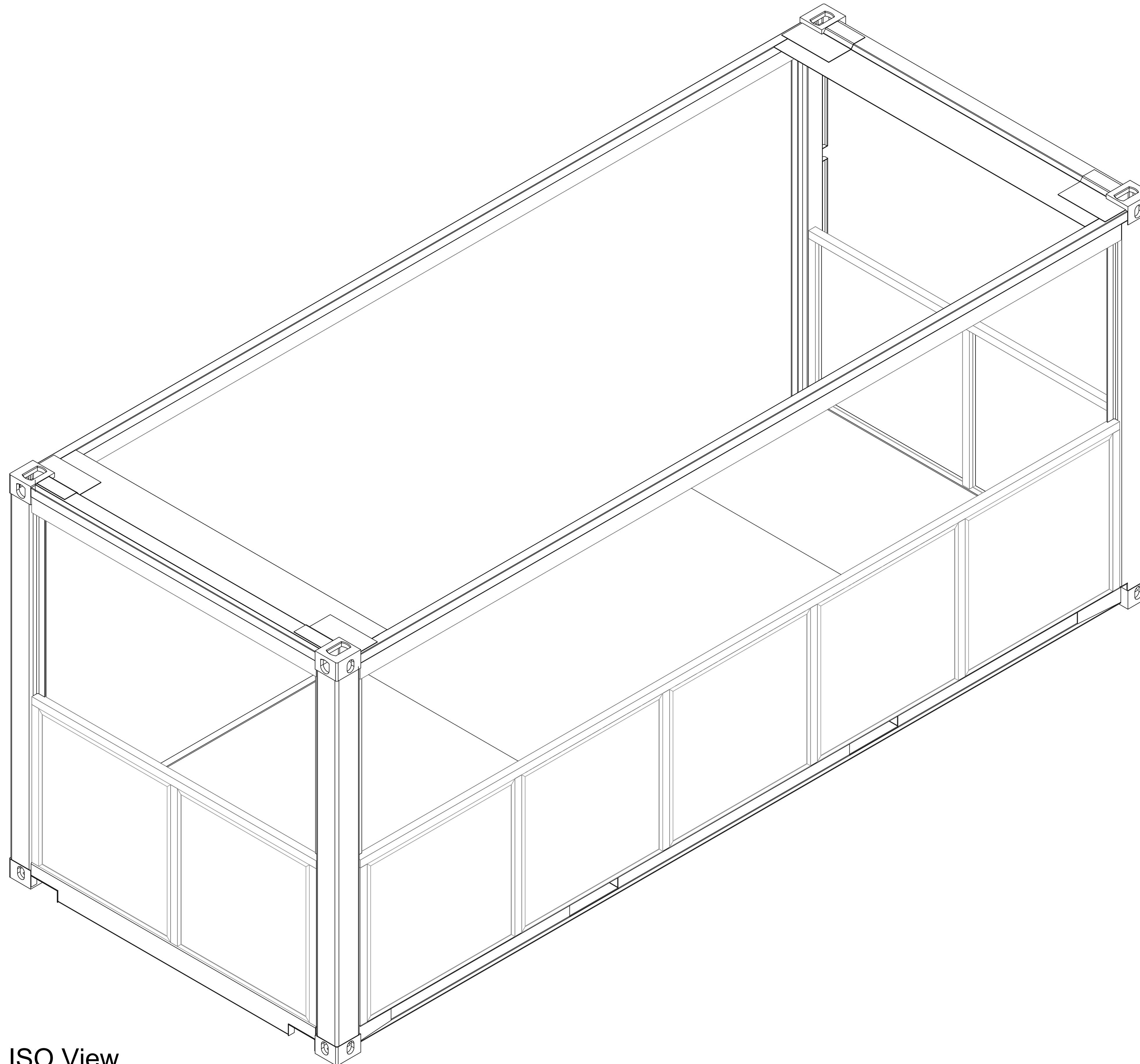


PID 10840 R2

**A-007**

The drawings are designed by Giant Containers, it's forbidden to show to the third party without writing permission.





ISO View  
Conatiner 'C'

CLIENT  
**Astound**

DWG #  
**GCS475**

DATE  
**17-Jun-19**

DRAWN BY  
**F. Fontana**

SALES REP  
**R. Lasagna**

DRAWINGS STATUS  
**DETAIL  
DRAWINGS**

REVISIONS LOG

#	DATE	DESCRIPTION
1	May, 29	First issue

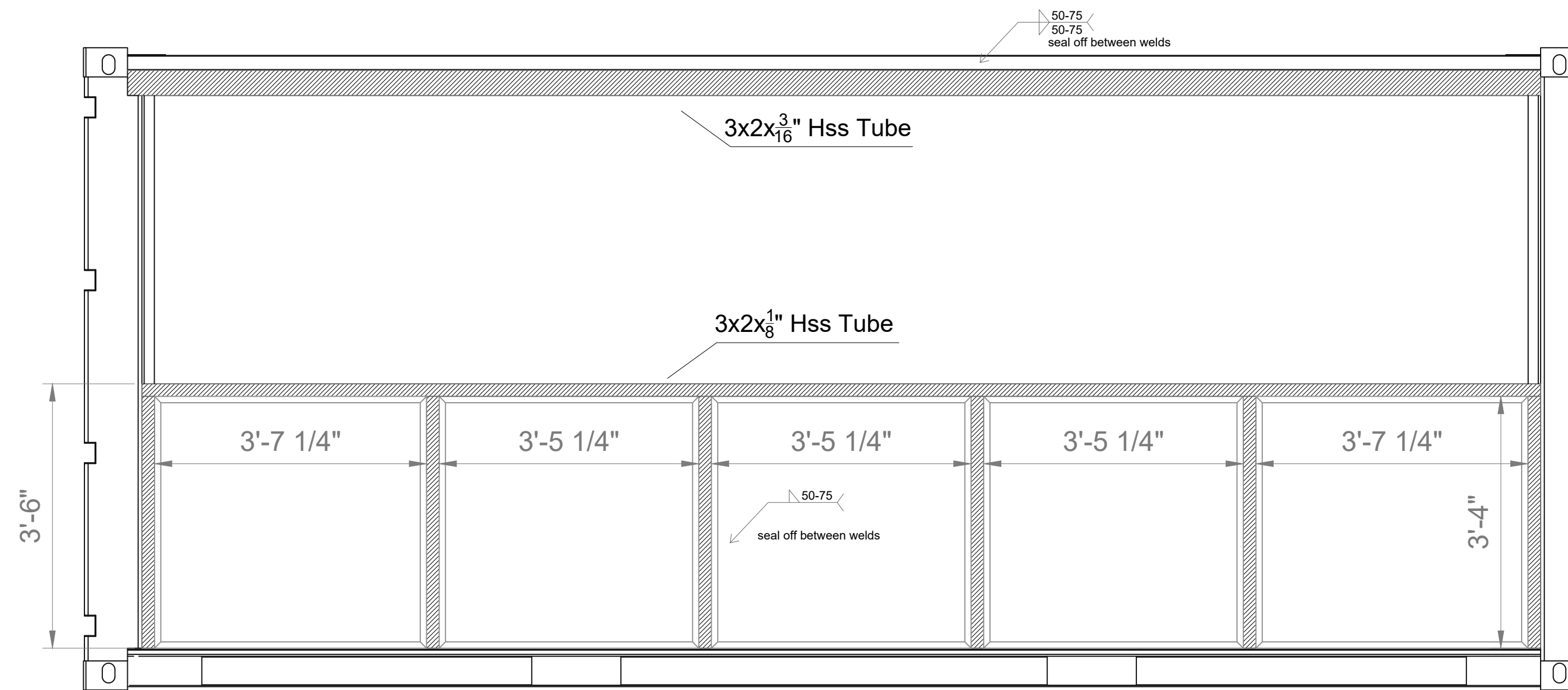
NOTES, STAMP, SIGNATURE



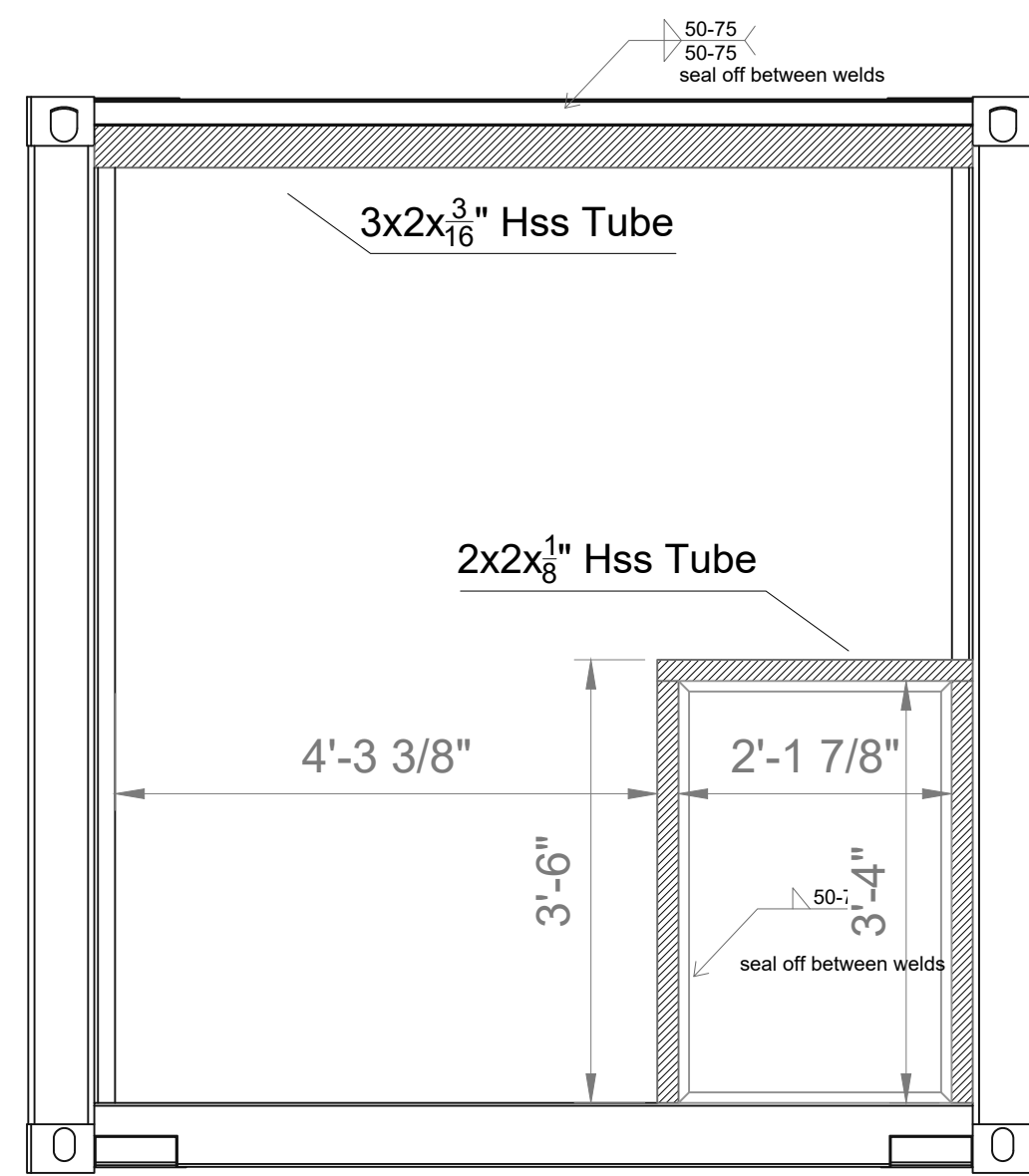
PID 10840 R2

**A-008**

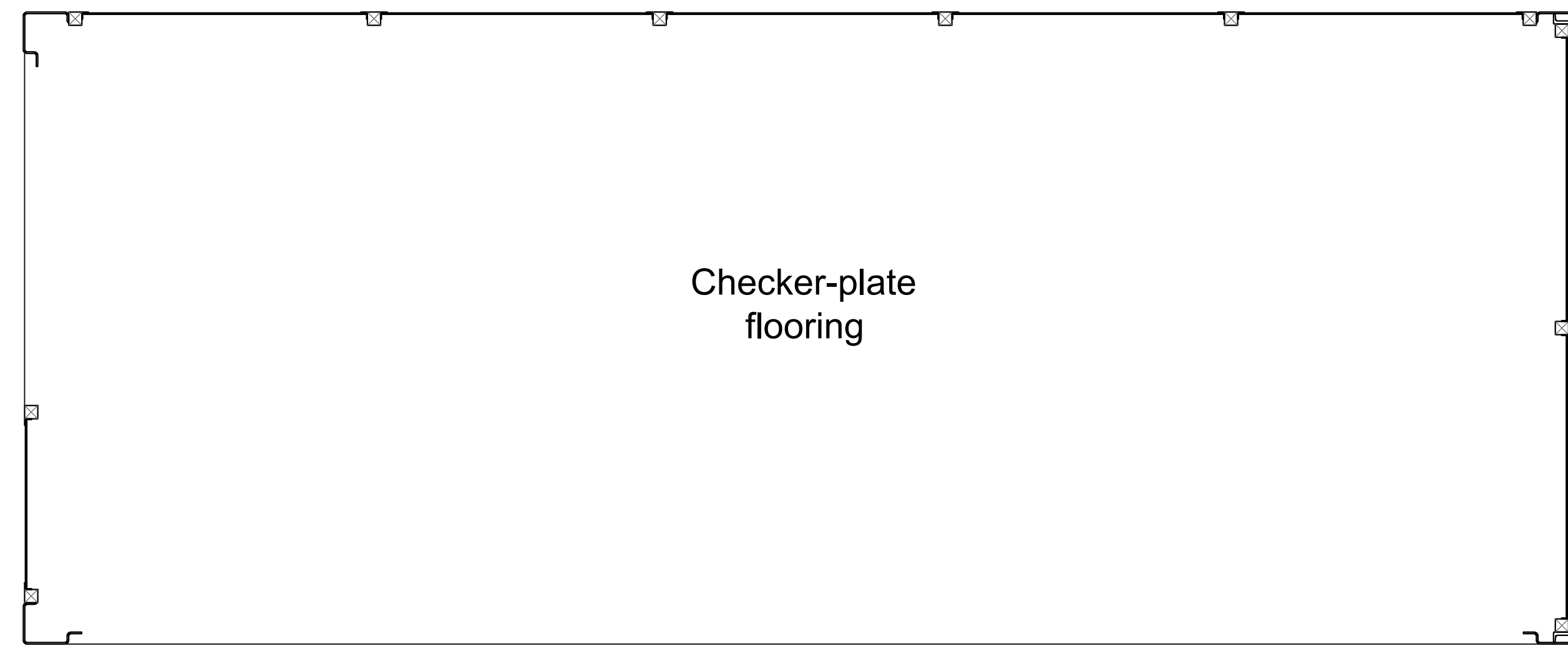
The drawings are designed by Giant Containers, it's forbidden to show to the third party without writing permission.



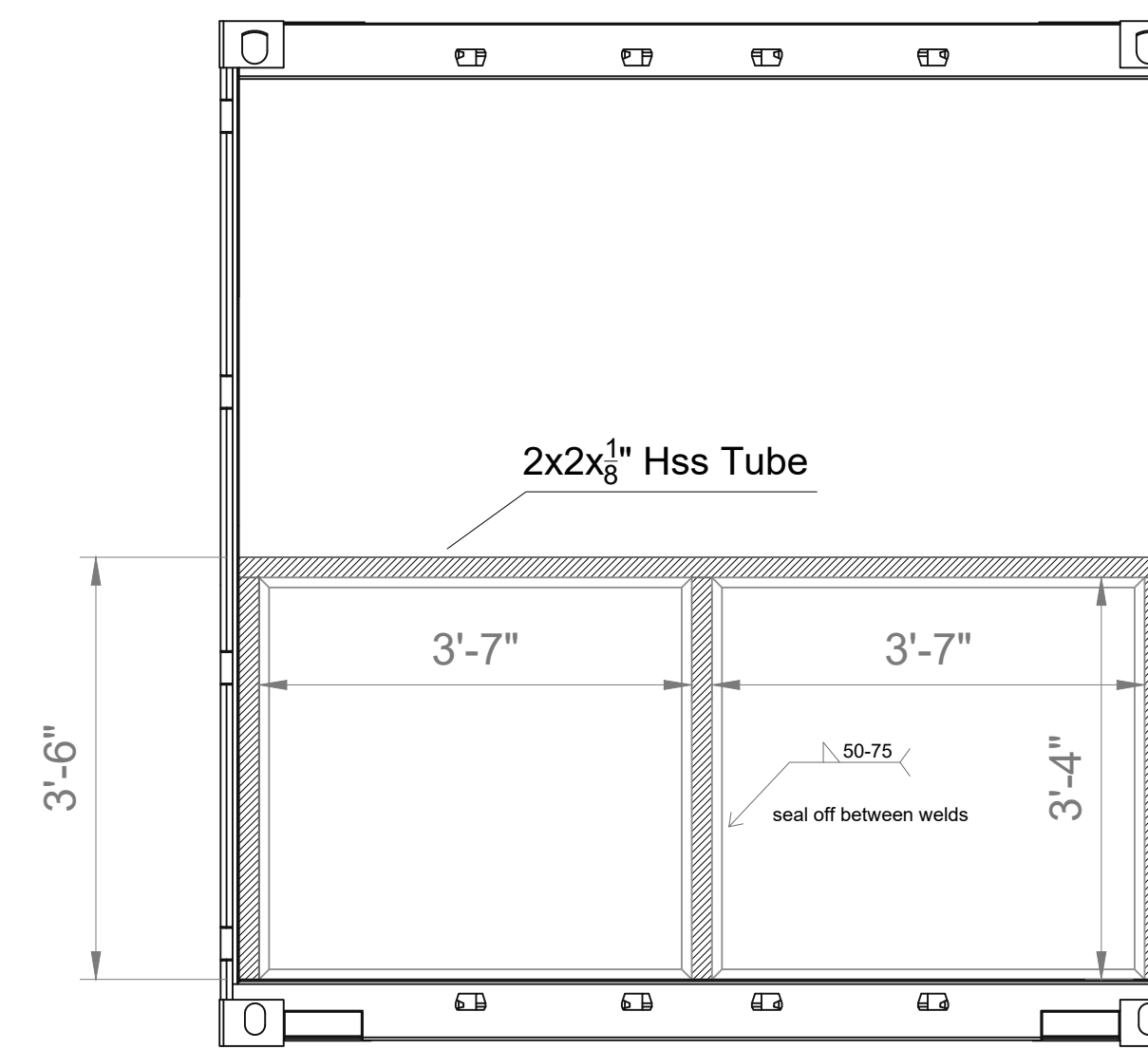
Right Elevation



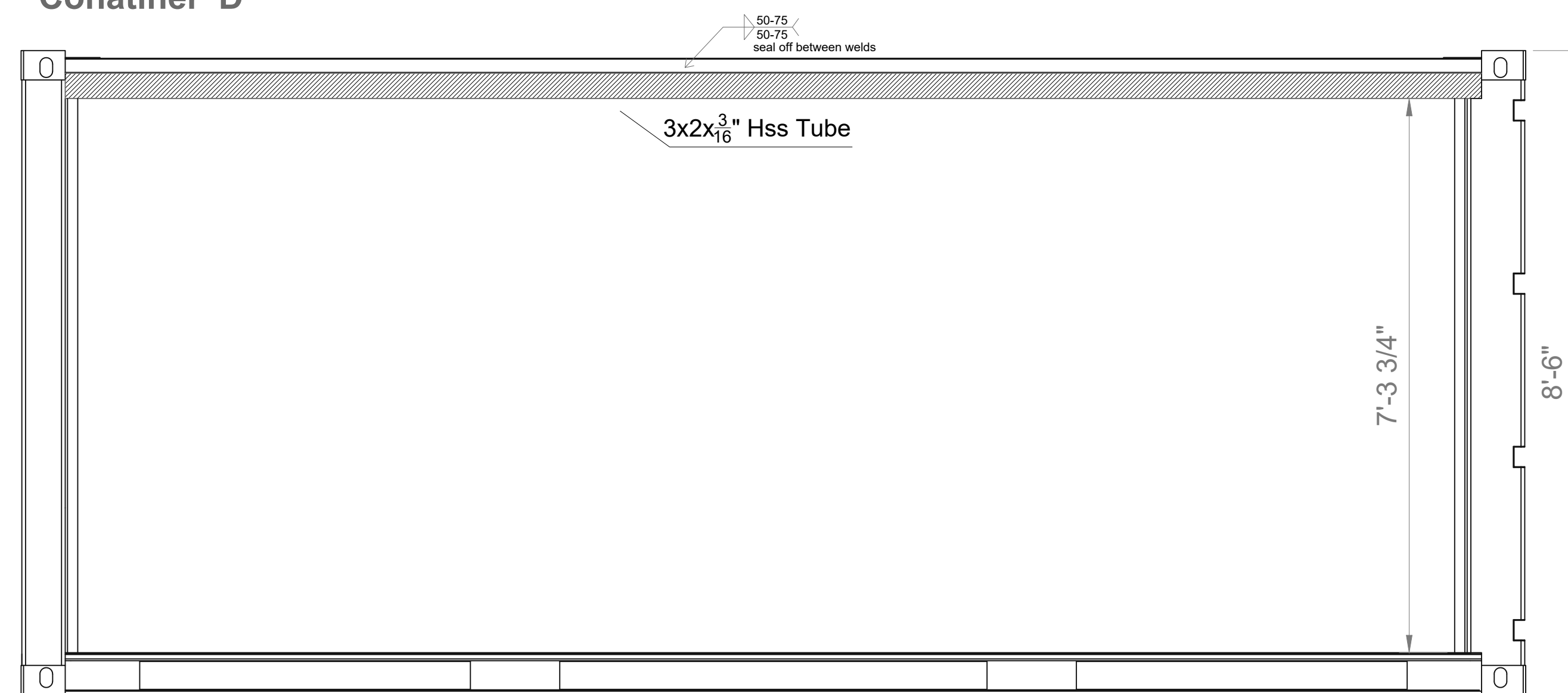
Front Elevation



Plan  
Conatiner 'D'



Back Elevation



Left Elevation

CLIENT  
**Astound**

DWG #  
**GCS475**

DATE  
**17-Jun-19**

DRAWN BY  
**F. Fontana**

SALES REP  
**R. Lasagna**

DRAWINGS STATUS  
**DETAIL  
DRAWINGS**

REVISIONS LOG

#	DATE	DESCRIPTION
1	May, 29	First issue

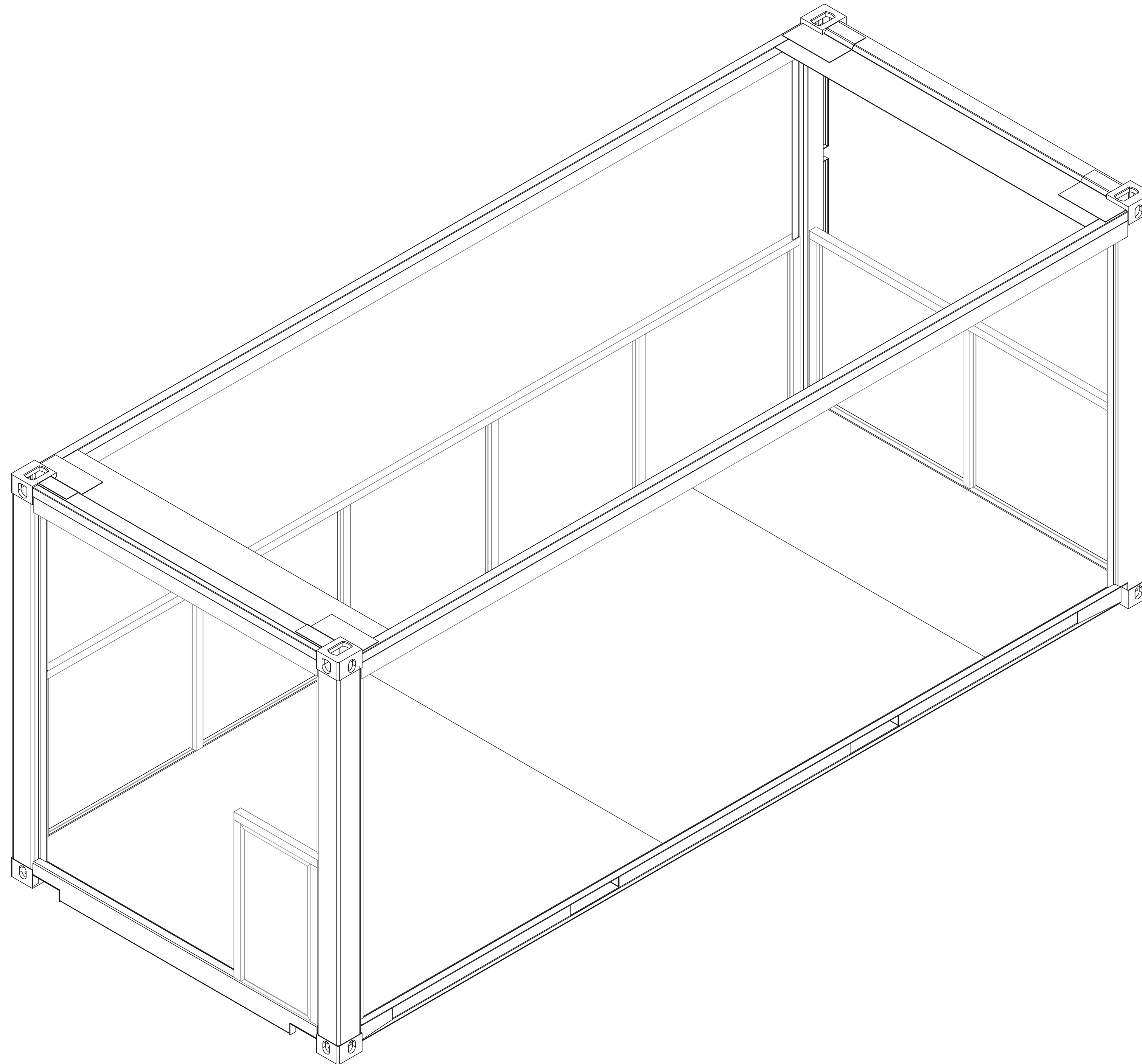
NOTES, STAMP, SIGNATURE



PID 10840 R2

**A-009**

The drawings are designed by Giant Containers, it's forbidden to show to the third party without writing permission.



ISO View  
Conatiner 'D'

CLIENT  
**Astound**

DWG #  
**GCS475**

DATE  
**17-Jun-19**

DRAWN BY  
**F. Fontana**

SALES REP  
**R. Lasagna**

DRAWINGS STATUS  
**DETAIL  
DRAWINGS**

REVISIONS LOG

#	DATE	DESCRIPTION
1	May, 29	First issue

NOTES, STAMP, SIGNATURE



PID 10840 R2

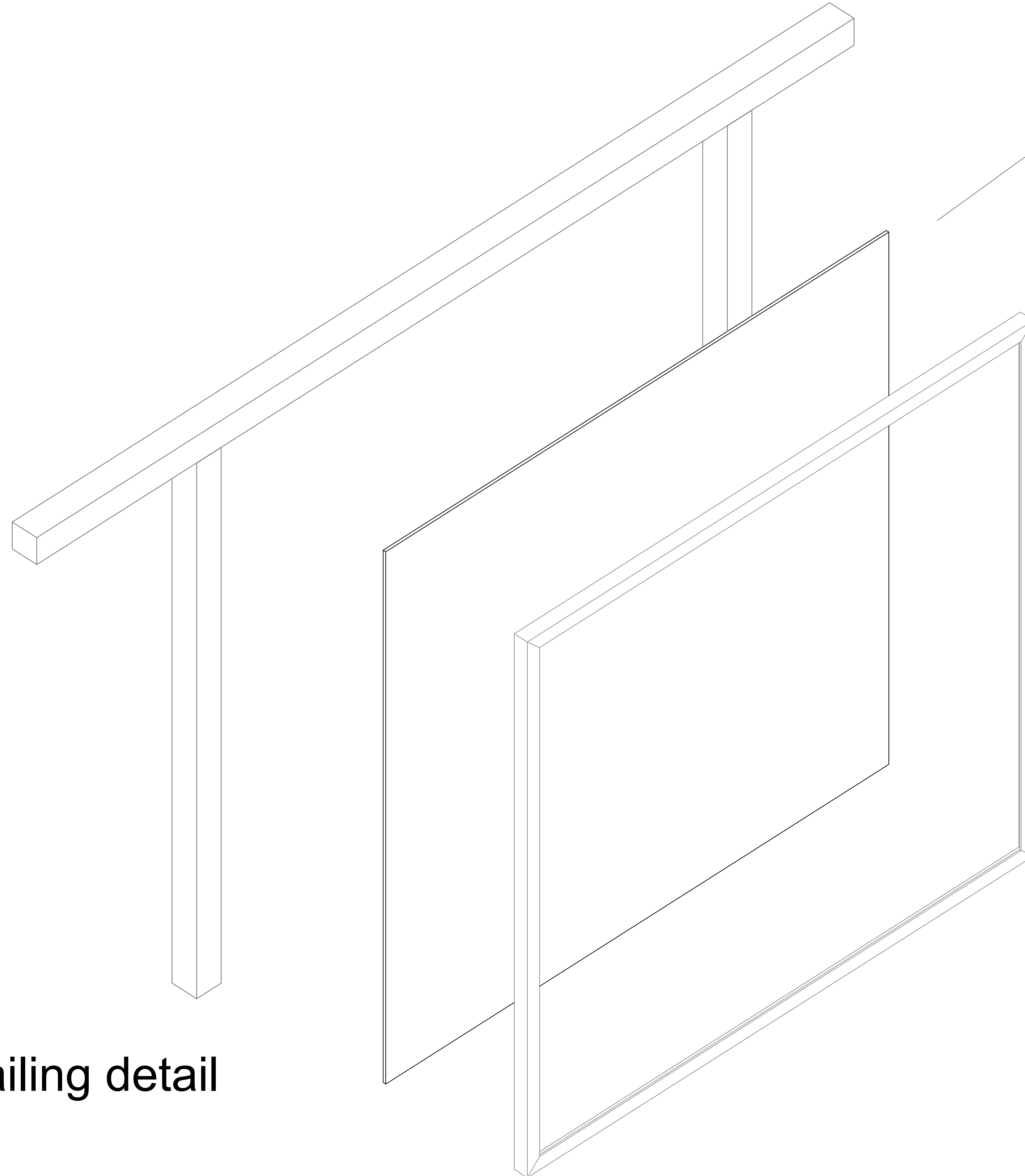
**A-010**

The drawings are designed by Giant Containers, it's forbidden to show to the third party without writing permission.

2x2x $\frac{1}{8}$ " Hss Tube

Expanded Metal  
E1349F

1x1 Steel angle



Railing detail

CLIENT  
Astound

DWG #  
GCS475

DATE  
17-Jun-19

DRAWN BY  
F. Fontana

SALES REP  
R. Lasagna

DRAWINGS STATUS  
DETAIL  
DRAWINGS

REVISIONS LOG

#	DATE	DESCRIPTION
1	May, 29	First issue

NOTES, STAMP, SIGNATURE



PID 10840 R2

A-011

The drawings are designed by Giant Containers, it's forbidden to show to the third party without writing permission.

- 2x20' New WWT STD Container
- 2x20' New WWT HC Container
- Prep/Prime/Paint (Exterior only) (4)
- Rooftop fabrication including connection materials for canopy top
- 15'10" Roll Up Door (aluminum security shutters) (4)
- 5'9" Roll Up Door (aluminum security shutters) (2)
- 20' Electrical Package (2)
- Awning (1)
- Base floor and upper deck flooring (Checker-plate)
- Shop drawings
- Delivery (Oakville)

**I HAVE READ AND FULLY UNDERSTAND THIS LAYOUT**

**SIGNATURE** \_\_\_\_\_