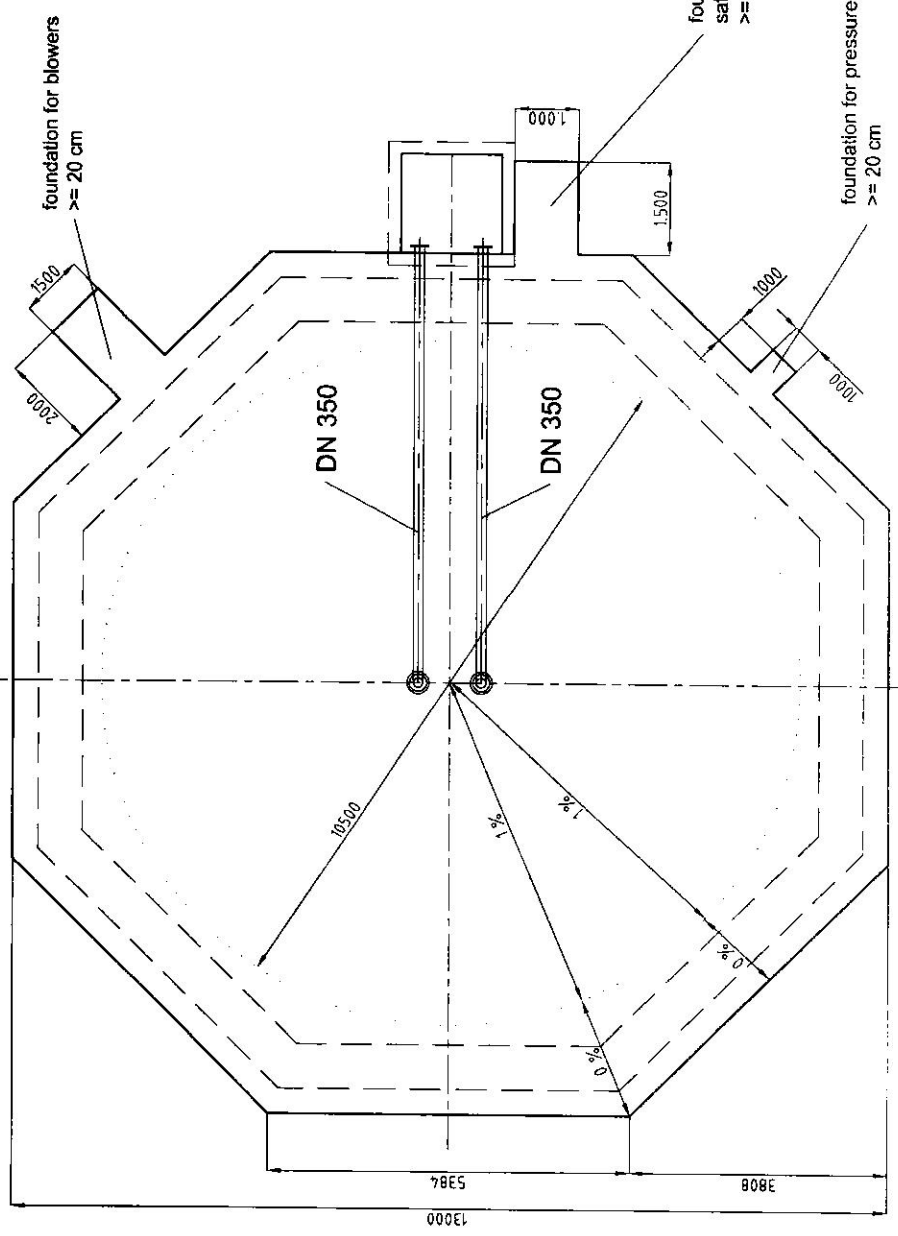
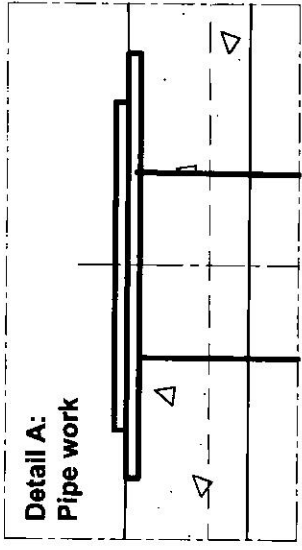
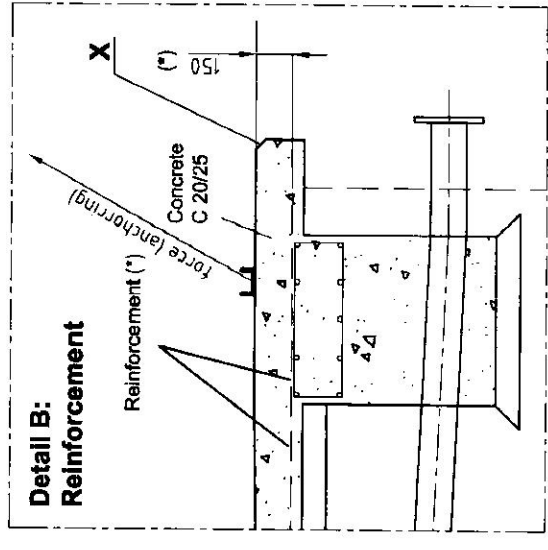


Detail A:
Pipe work



Detail B:
Reinforcement



(*) Reinforcement 150 mm under the surface

Thickness of the reinforcement according to a local made static

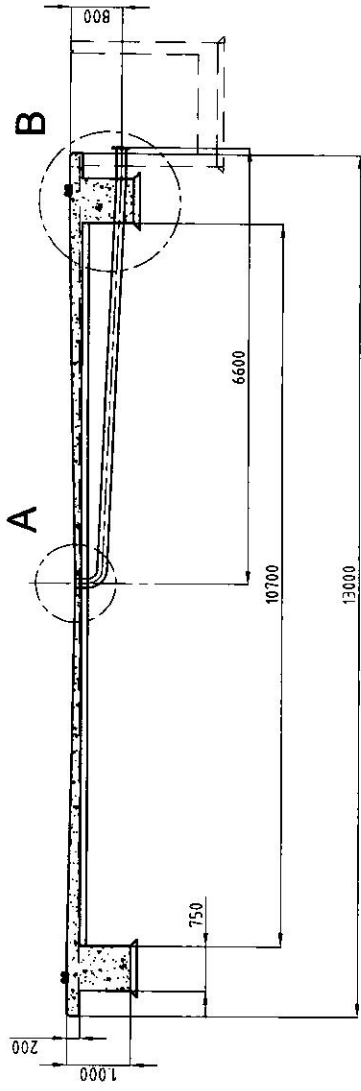
force (anchoring) 60°; 9,07 kN/m (15mbar)

the angle between foundation for blowers and foundation for pressure regulating valve is 90°

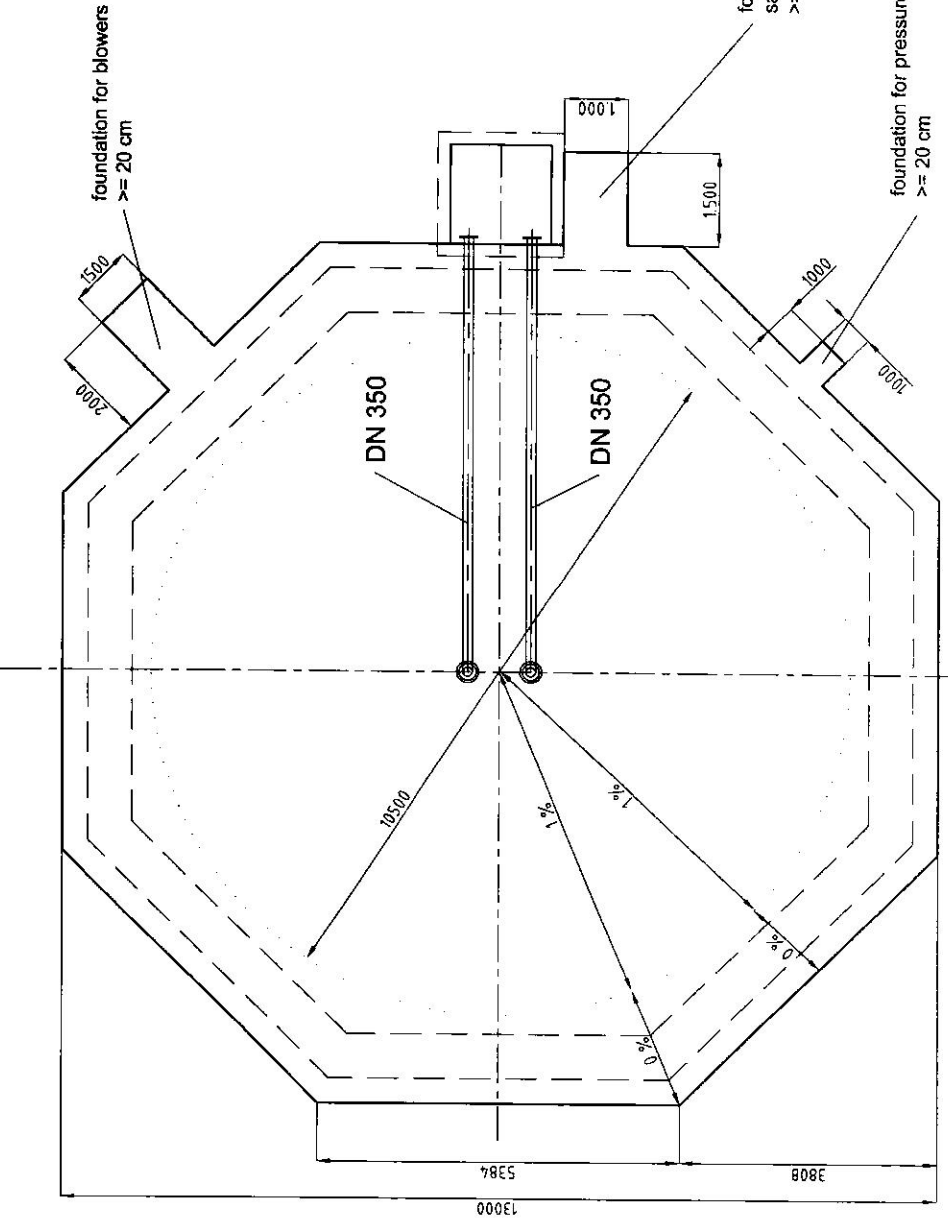
foundation for safety valve >= 20 cm

foundation for pressure valve >= 20 cm

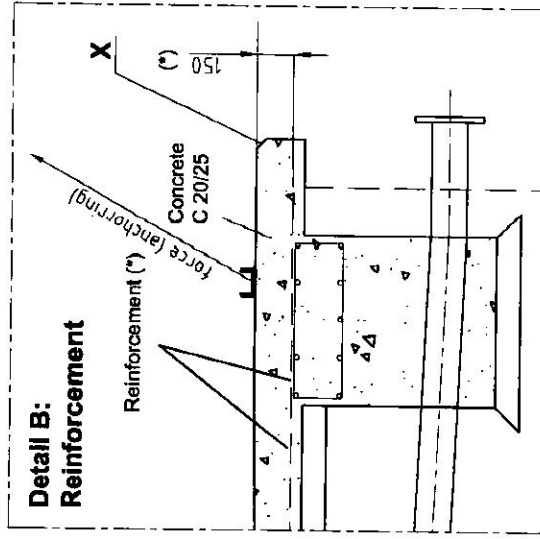
TECON textile constructions G.n		Nr. PD2
Gez.	21.11.2011	HP Fleisch
Gepr.		
Norm. gepr.		
Material		
Gas storage tank Nanaimo		1150 m ³
Foundation		



Detail A:
Pipe work



Detail B:
Reinforcement

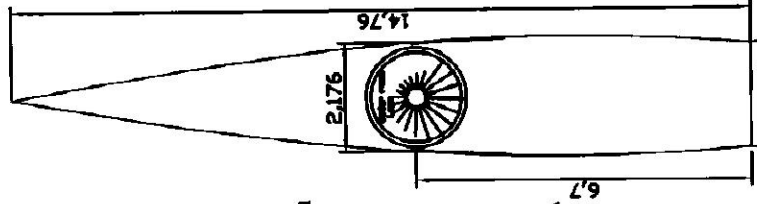
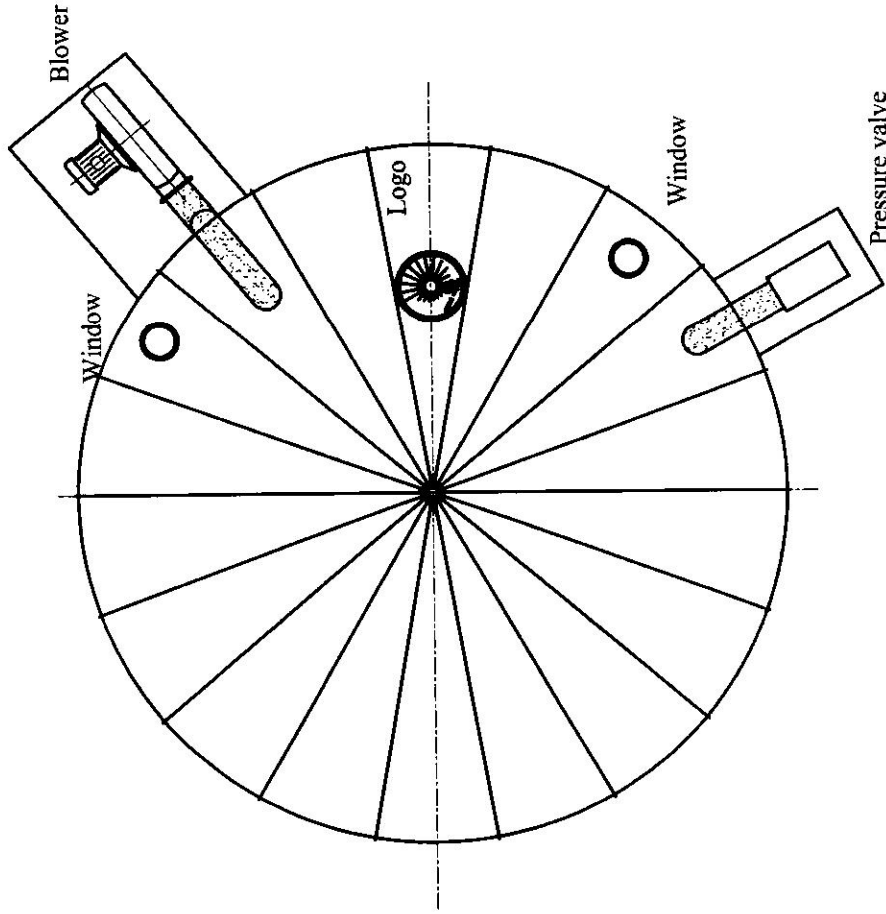


(*) Reinforcement 150 mm under the surface

Thickness of the reinforcement according to a local made static

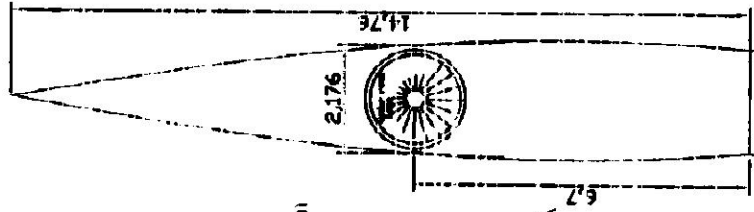
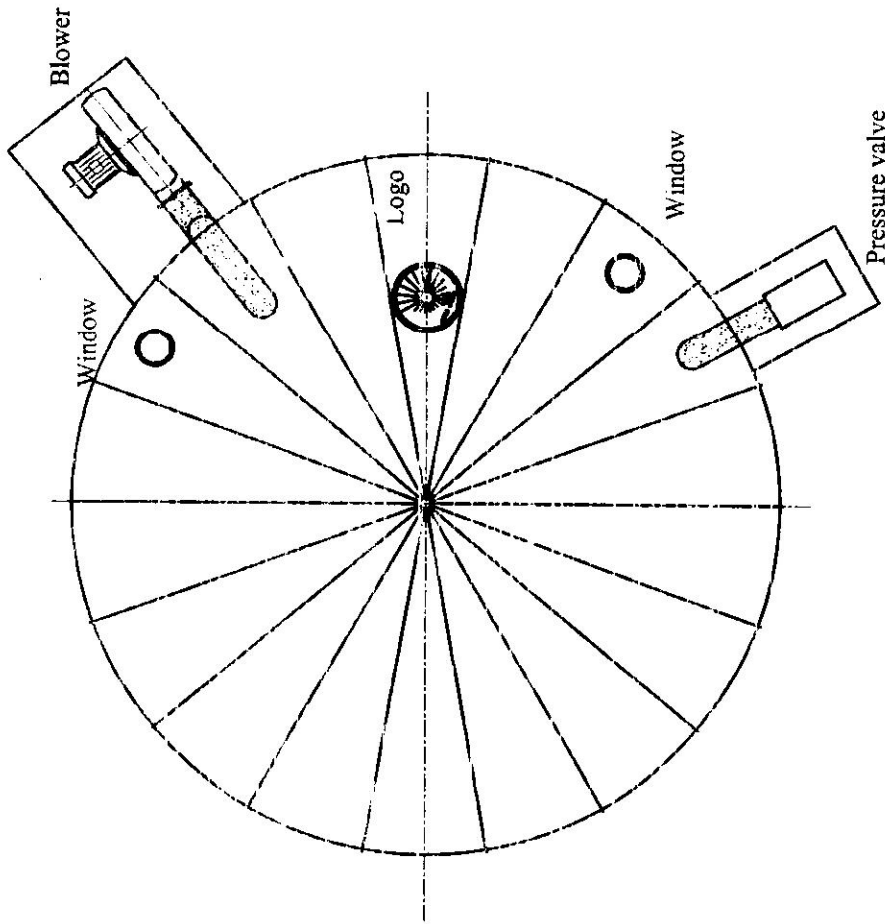
force (anchoring) 60°; 9,07 kN/m (15mbar)
the angle between foundation for blowers and foundation for pressure regulating valve is 90°

TECON		textile constructions G.r	
Drum	Name		
Calc.	21.11.2011	HP Flesch	
Gepr.			
Norm. gepr.			
Maßstab			
Gas storage tank Nanaimo		Nr. FD2	
1150 m³		Ersatz. Dr.	
Foundation		Ersatz. druck	



Height Logo appr. 6700mm

TECON textile constructions G.		Nr. S
		1150 m ³
		Overview drawing
Datum:	Name	
Gez.	HP Besch	
Gepr.		
Norm gepr.		
Malsrab		
Gas storage tank Nanaimo		
1150 m ³		
Overview drawing		
Erstellt: 2011		
Ersatz: 2011		

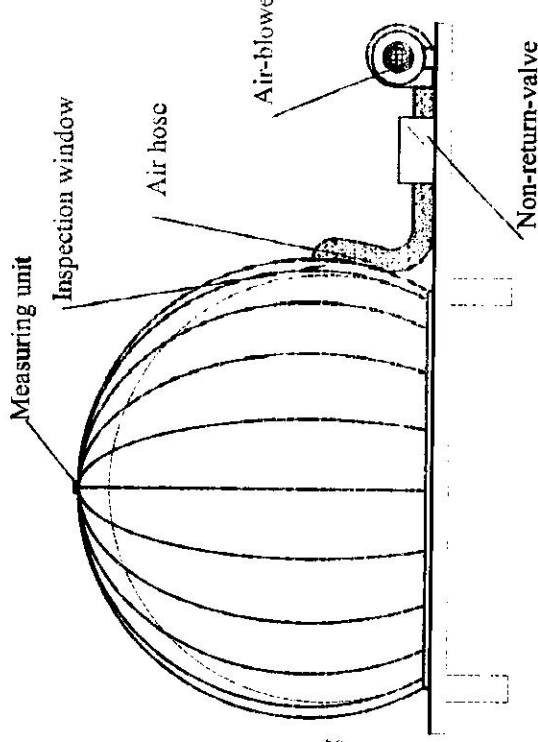


Height Logo appr. 6700mm

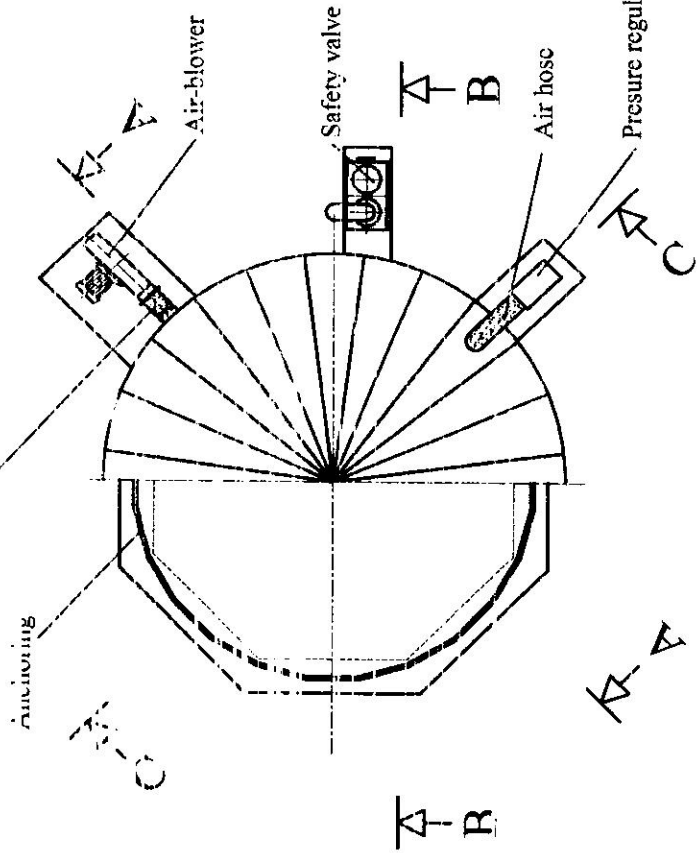
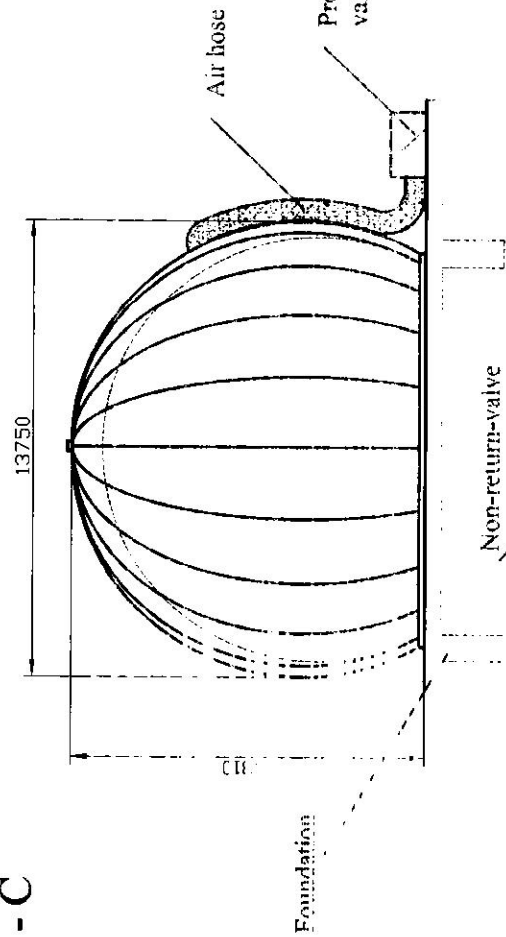
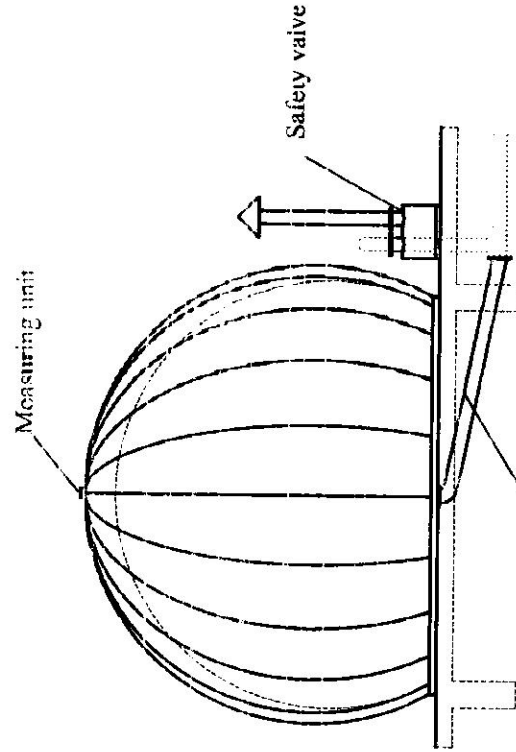
TECON <i>textile constructions G.r</i>		Datum: 21.11.2011 Name: HP Flasch	Nr. SYT 1150 m ³
Gez. Gepr. Norm. gepr. Material	Gas storage tank Nantaimo 1150 m ³		Ersatz für: Ersatz durch:
			Overview drawing

C - C

A - A



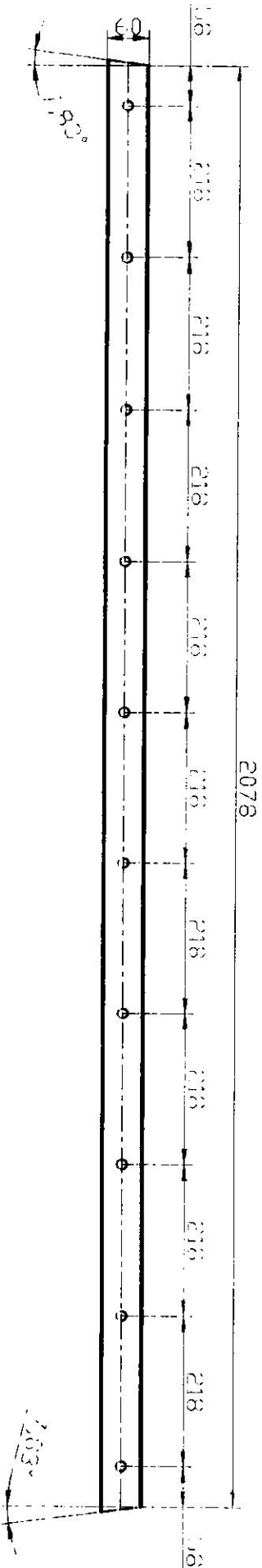
B - B



Pipe work

TECON		Datum	Items
textile constructions G.n		21.11.2011	HP Fläsch
Gez.			
Gepr.			
Norm gepr.			
Malsaab			
Gas storage tank Namaimo		Nr. SY	
1150 m ³		Erreicht für:	
Overview drawing		Erreicht durch:	

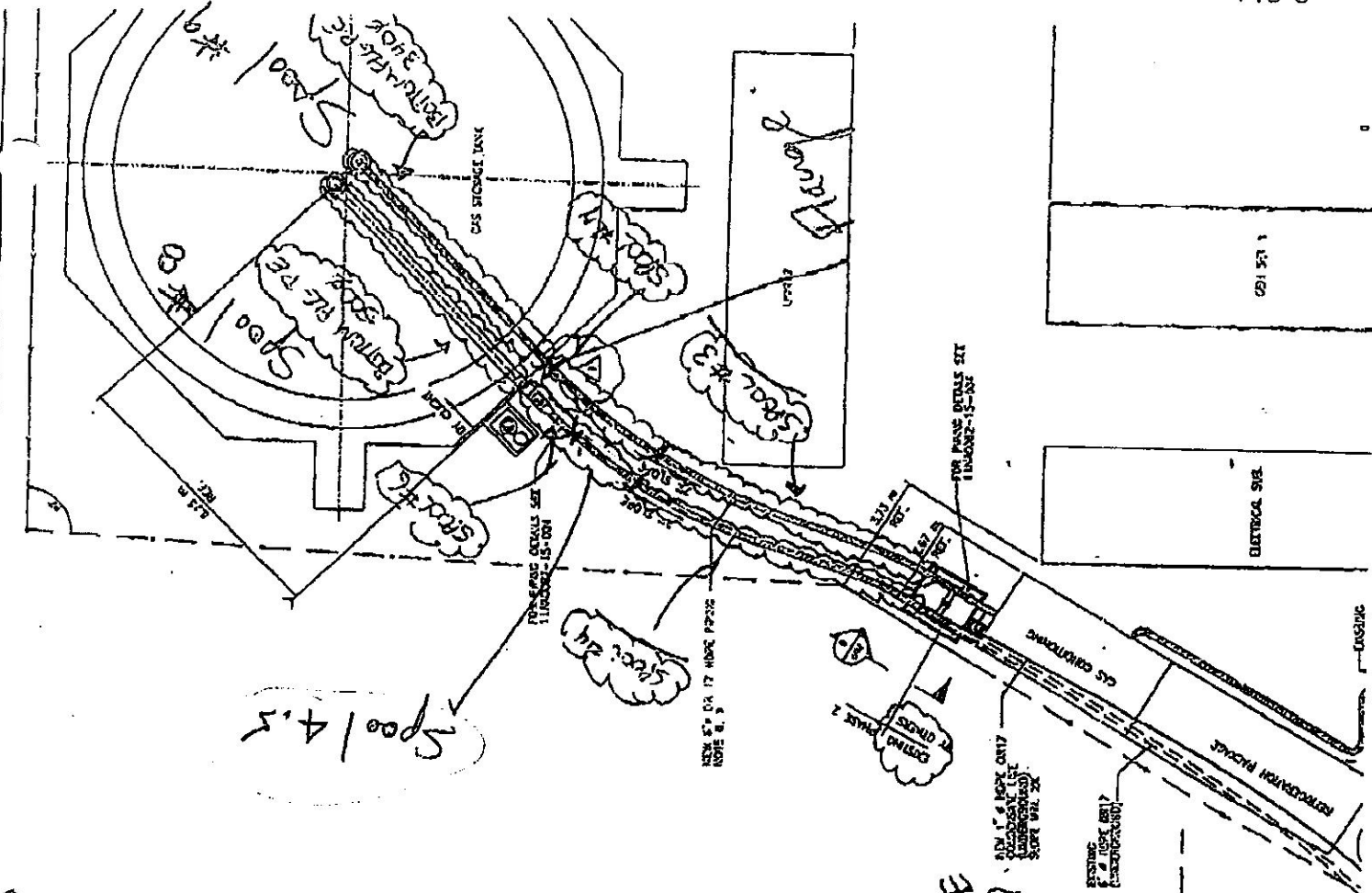
23 Segments



Detail: clamping rail

MATERIAL: AISI 304

Gez.	3 11 2000	Delum	Name	TECON <i>textile constructions G.m.b.H.</i>
Gepr.			Reinold Fenz	
Norm spez.				Gasspeicher 2400 m ³ Verankerungsmg () 23 Segmente
Maßstab				
KEIN MASSSTAB				Nr. AN-223 Ersatz für: Ersatz durch:

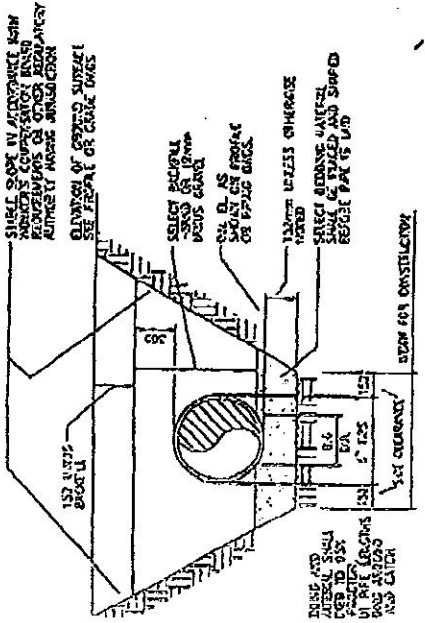


Spool #4.5

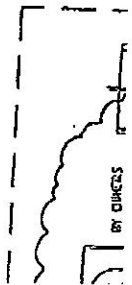
Missing

Spool #8
8.75 in - 350 mm A-DPE

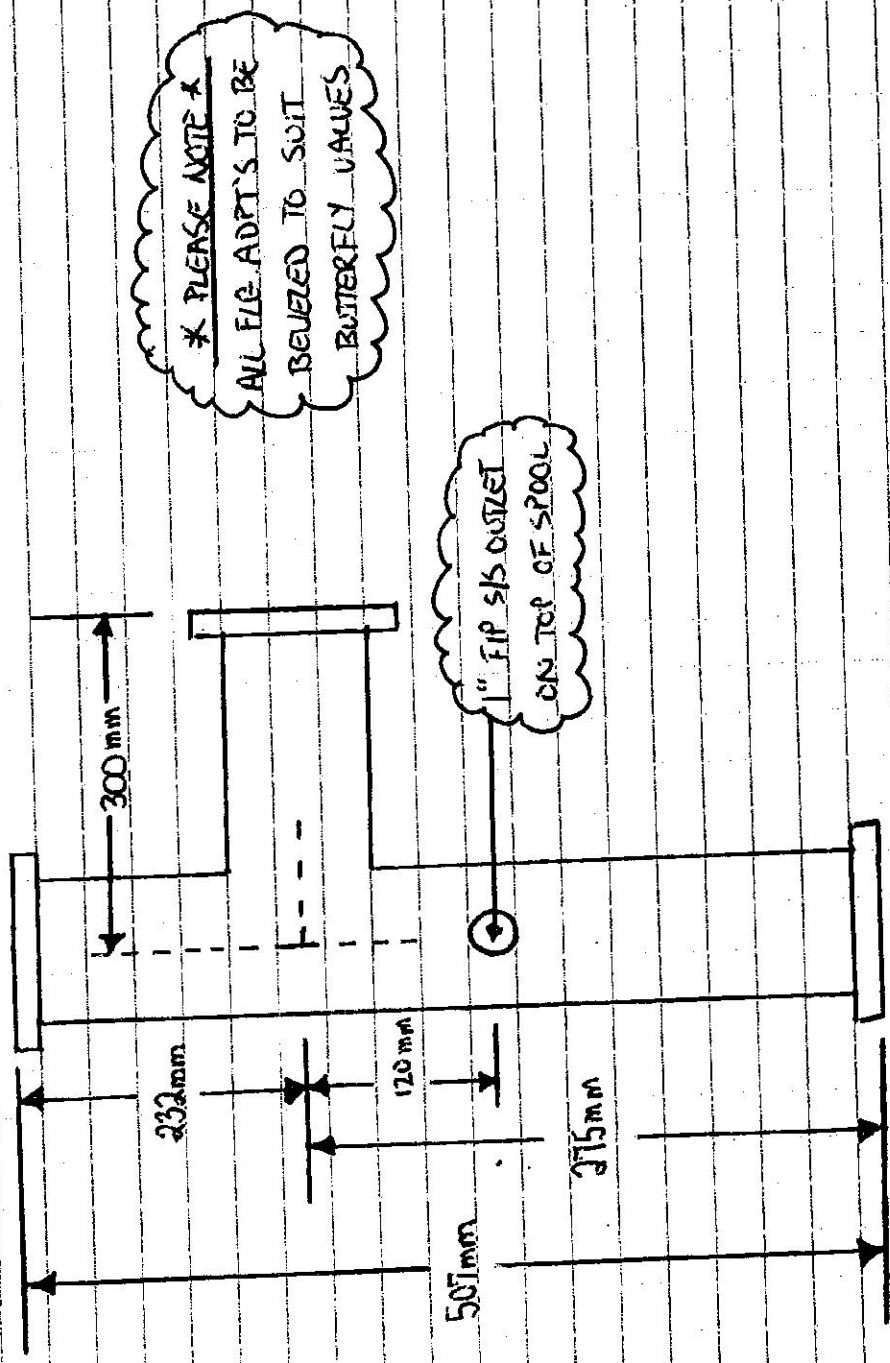
Spool #9
9.15 in - 150 mm A-DPE



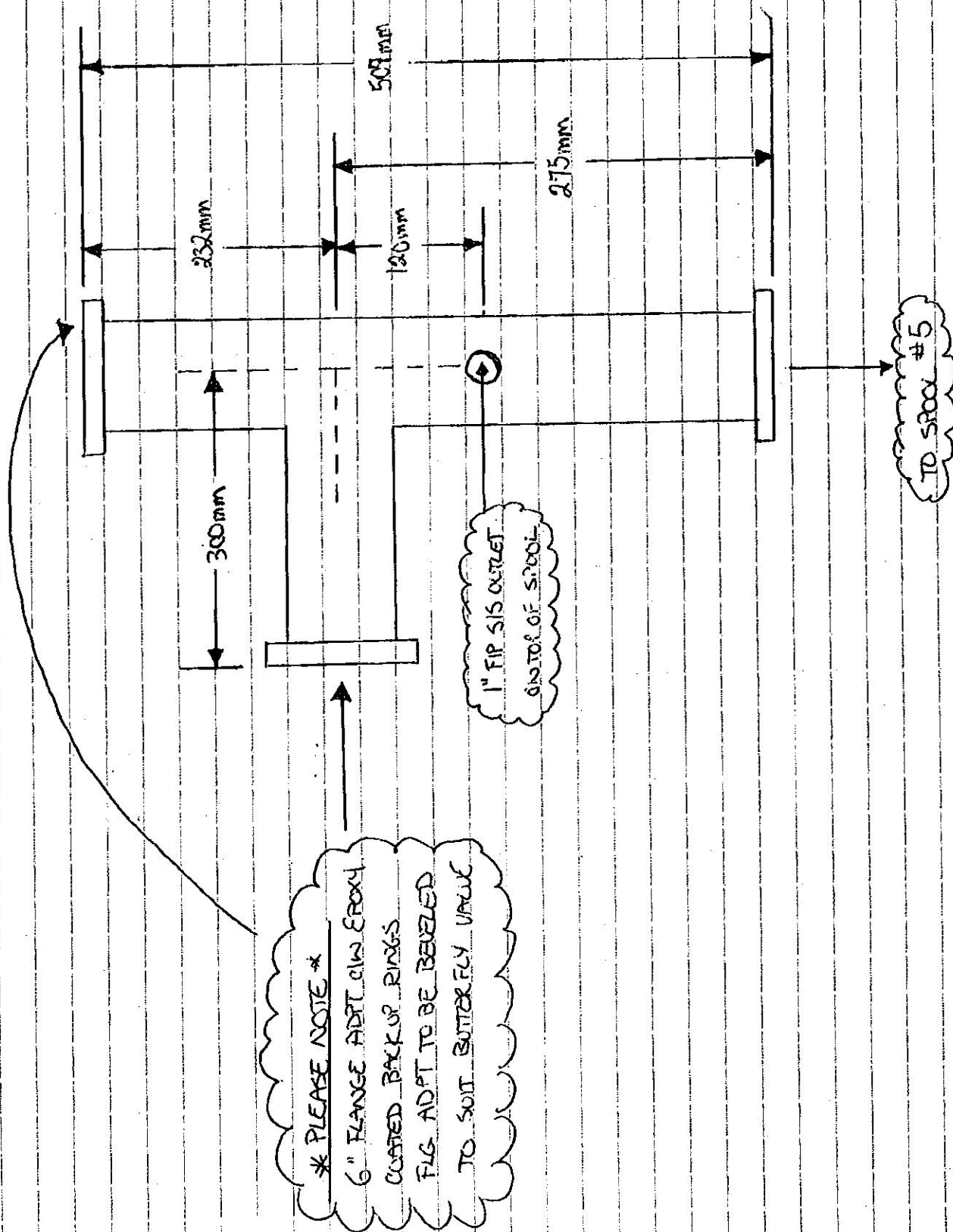
TYPICAL TRENCH
SCALE: 3/32



SPool #1 - 6" DRIF



SPOOL #2 - 6" DRIFT.

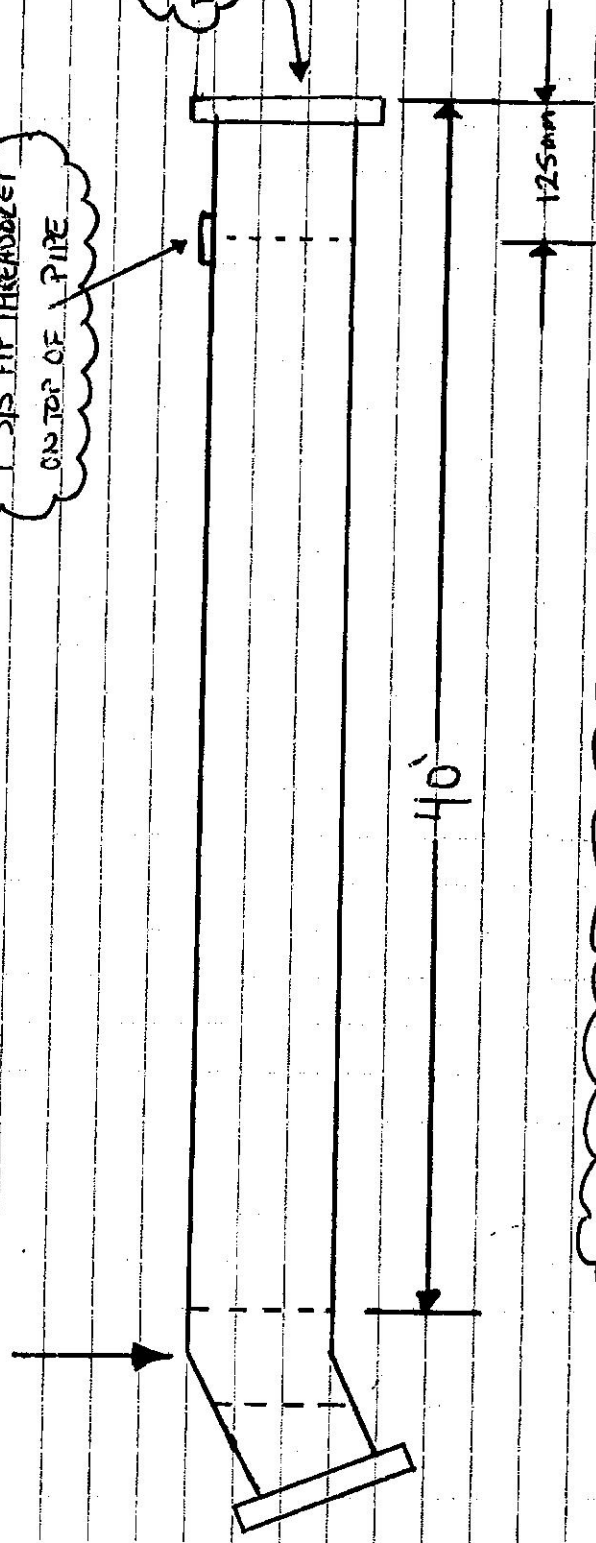


SPOOL #3 - 6" DRIF

6" DRIF 22 1/2 ELBOW
WELDED UP AGAINST FLG
PIECE AFTER 40' SPOOL

1" SIS FIP THREADROCKET
ON TOP OF PIPE

BEVELLED FOR
BUTTERFLY VALVE



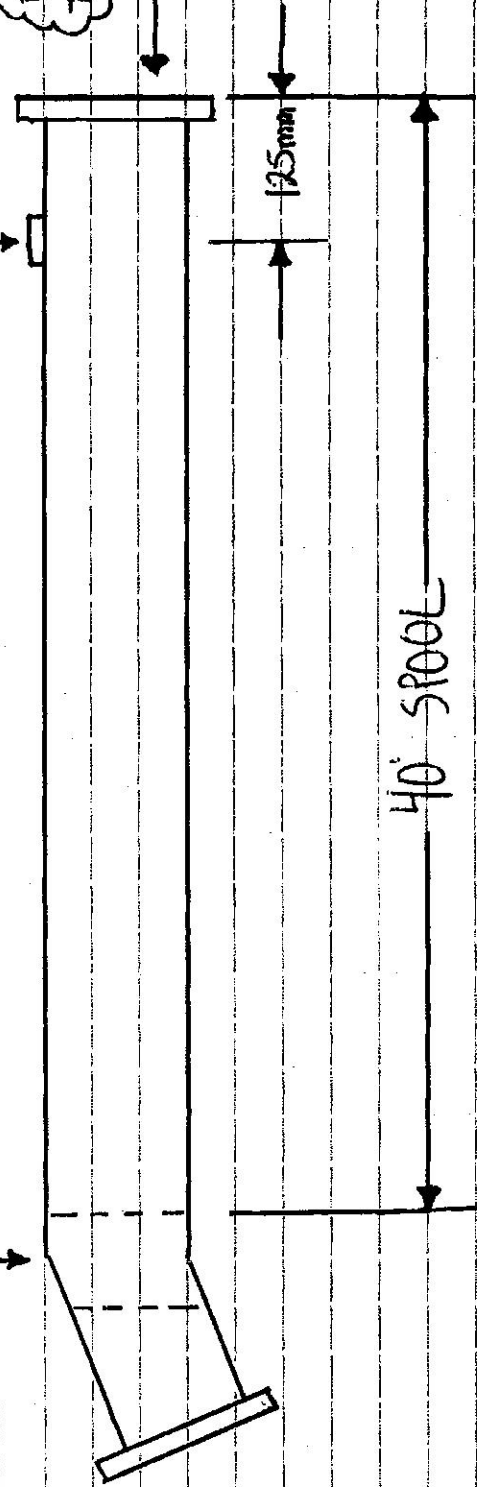
40' SPOOL + ONE 22 1/2 + TWO FLANGE ENDS
WITH EPOXY COATED B.U.R.'S

SPOOL #4 - 6" DRIF

6" DRIF 22 1/2° ELBOW
WEDGED UP AGAINST FIG
PIECE AFTER 40' SPOOL

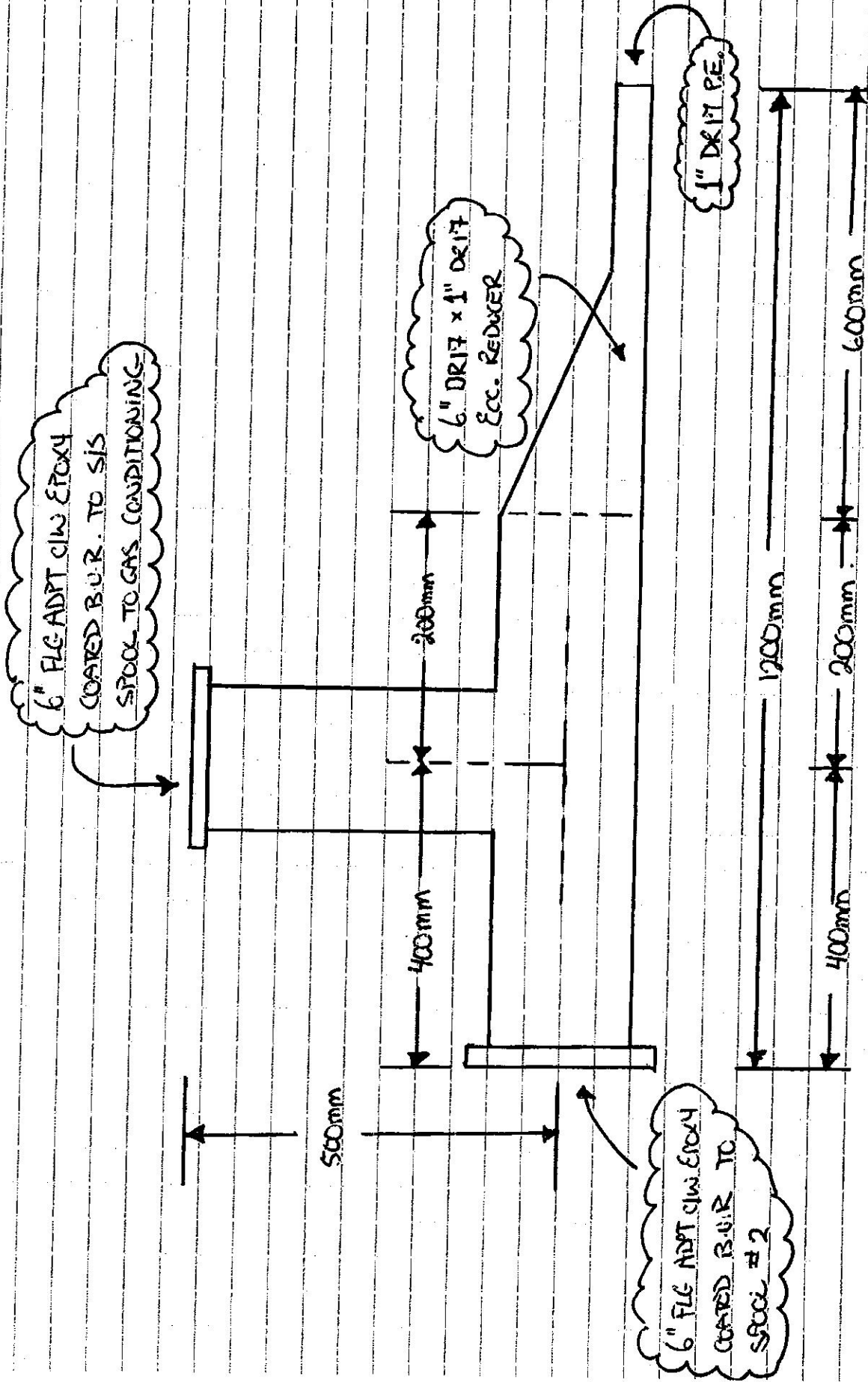
1" SIS FIP THREADCKET
ON TOP OF PIPE

BEVELED FIG
TO SUIT B.F.V.

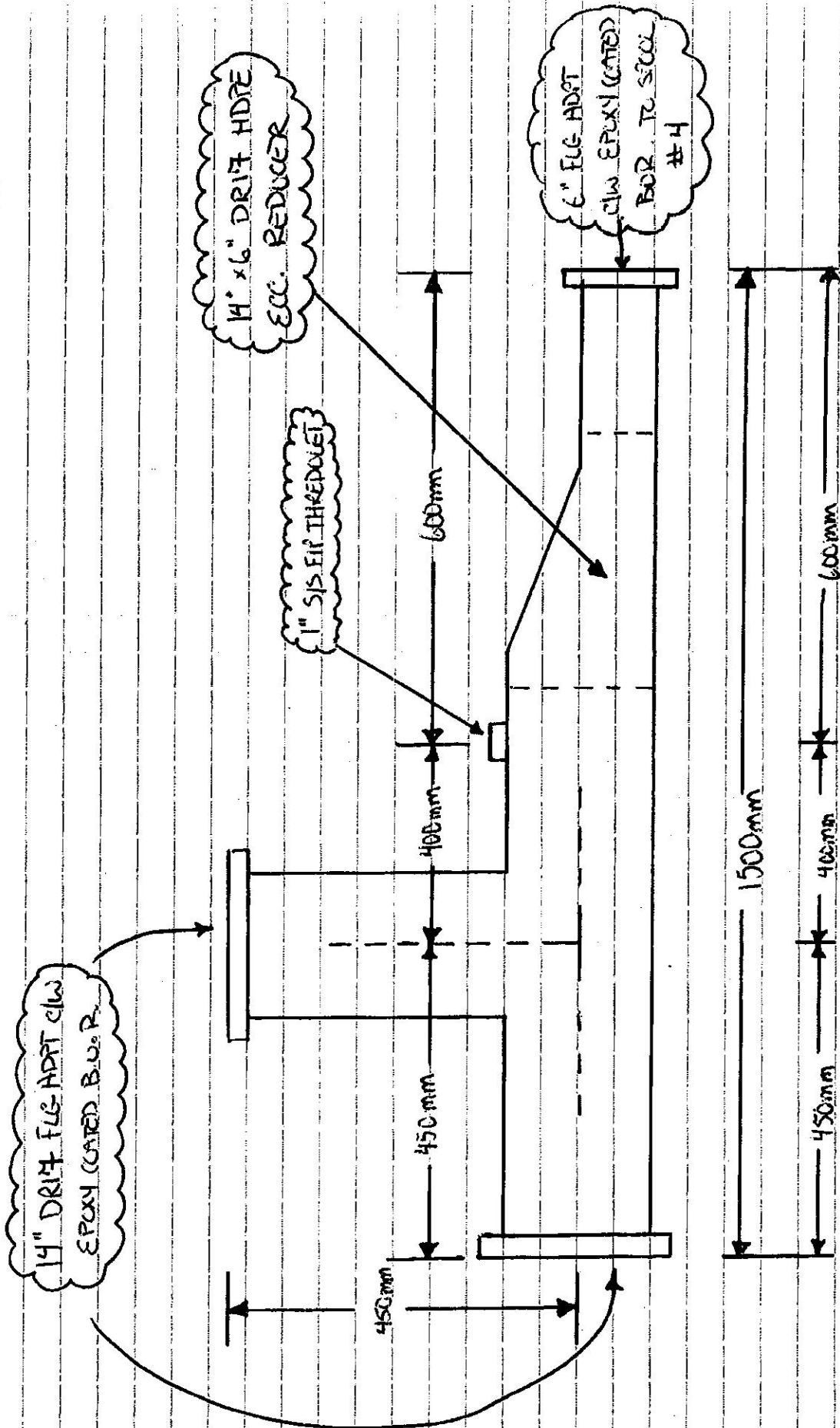


40' SPOOL + ONE 22 1/2° ELBOW + TWO FIG ENDS
WITH EPOXY COATED BURS

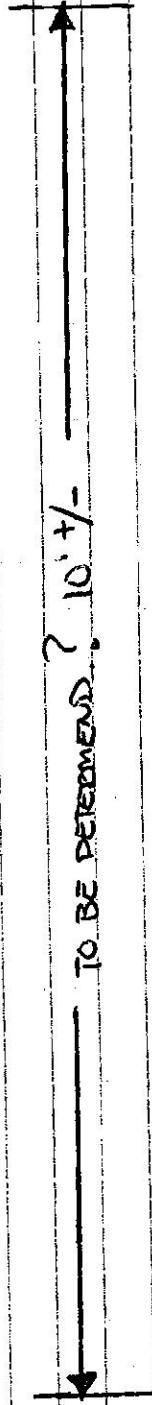
SUBOL #5 - 6" DRIFT



SPOOL #6 - 14" x 6" DRIFT



SPOOL #7 & 4.5 - 6" DRIFT

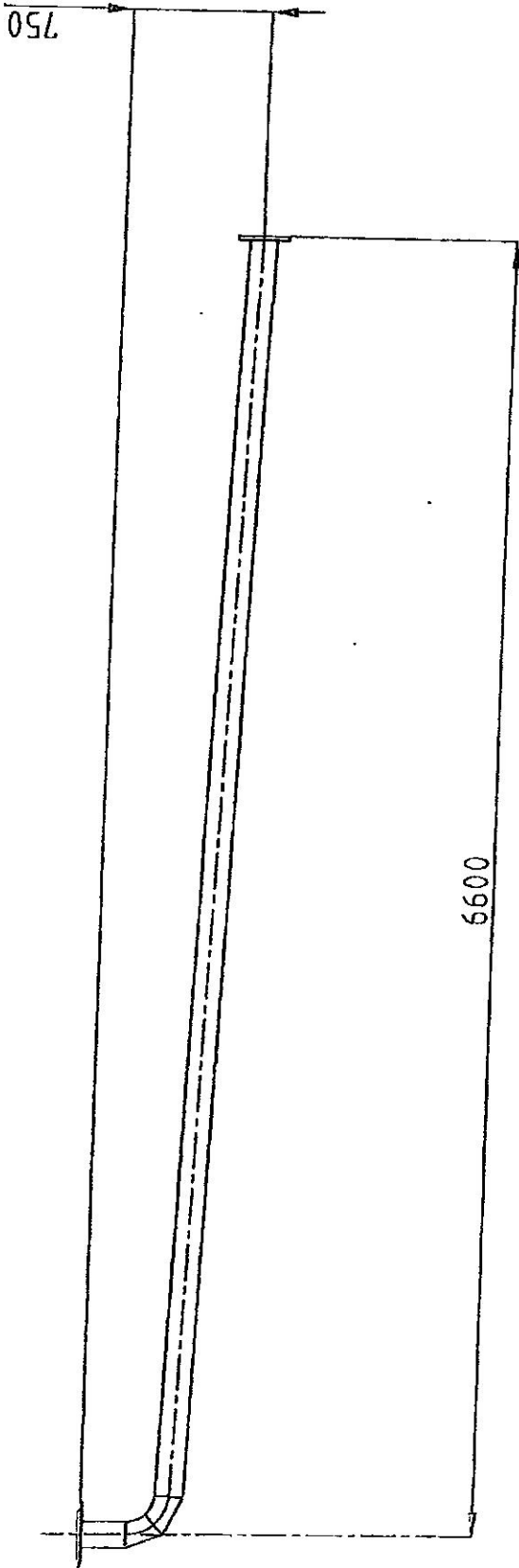


TO SPOOL
#3



GAS STORAGE
TRUCK

BOTH FLANGED ENDS CW 6" FLE ADPT'S + EPOXY COATED
BACK-UP RINGS



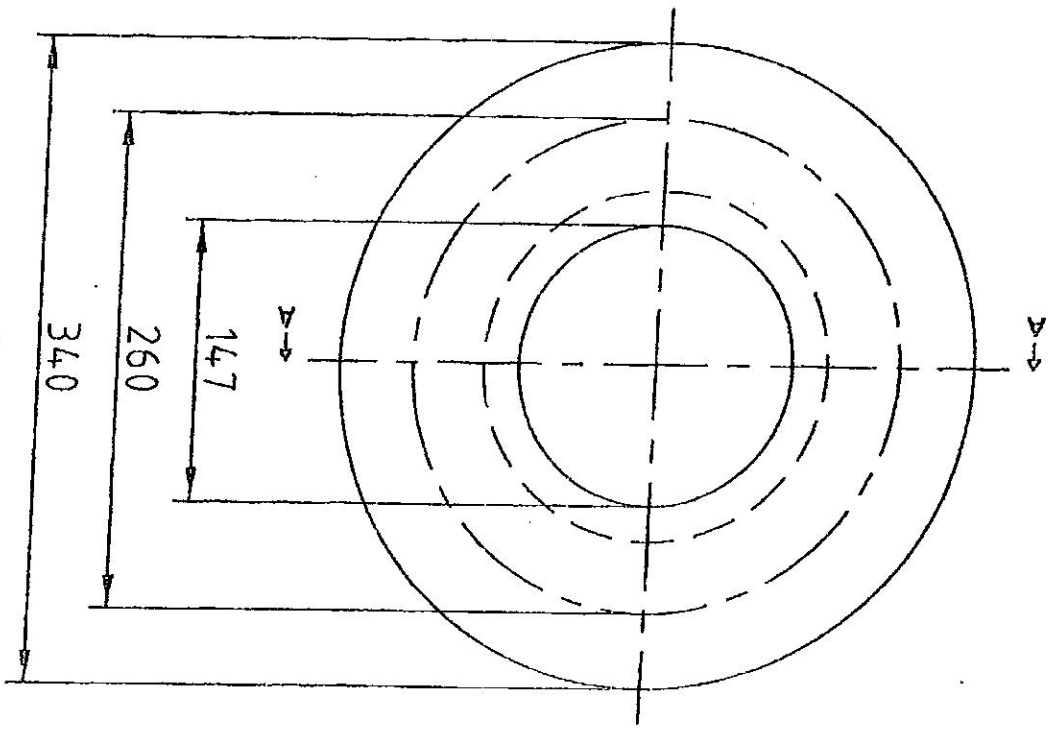
DN 350 Units 1 Spec # 8
 DN 150 Units 1 Spec # 9
 DR 17
 EXPOXY RING

Gen. Comp.	21.11.2011	HP FIBRA	
Nome gen. Indústria			
TECON textile constructions G.m.b.H.			Nr. GS 21895 Quantidade Preço unit.
Pipe works No. 20000			

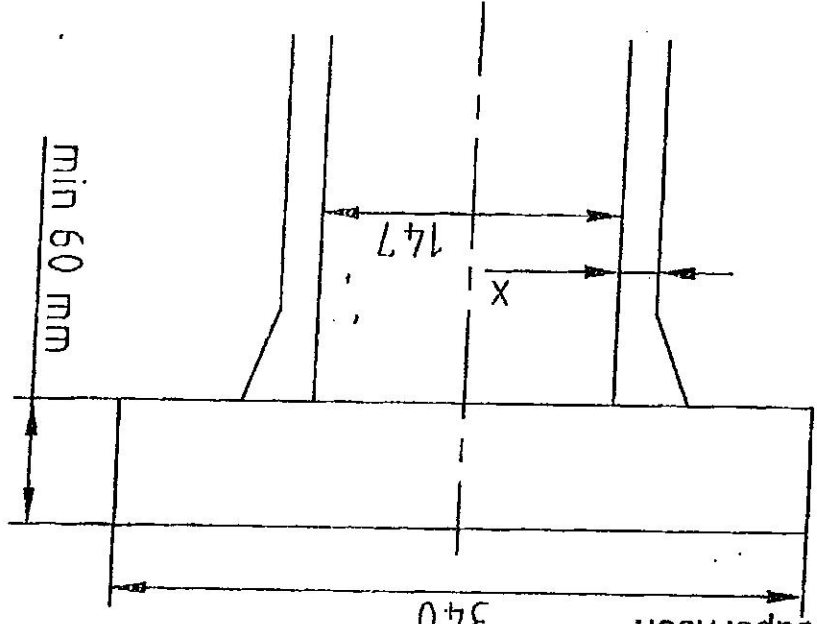
Norm gepr.			
Gepr.			
Gez.	21.11.2011	HP Flasch	
Datum		Name	

TECON

textile constructions G.m.b.H.



Bottom flange PE:

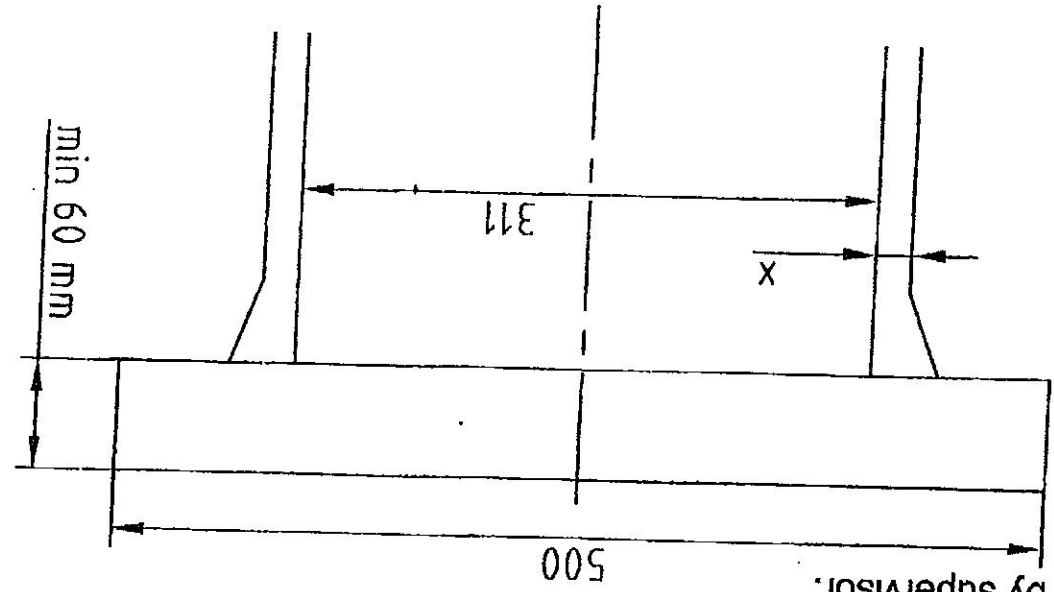


SPOOL # 8

Drilling into PE flange will be done at erection by supervisor.

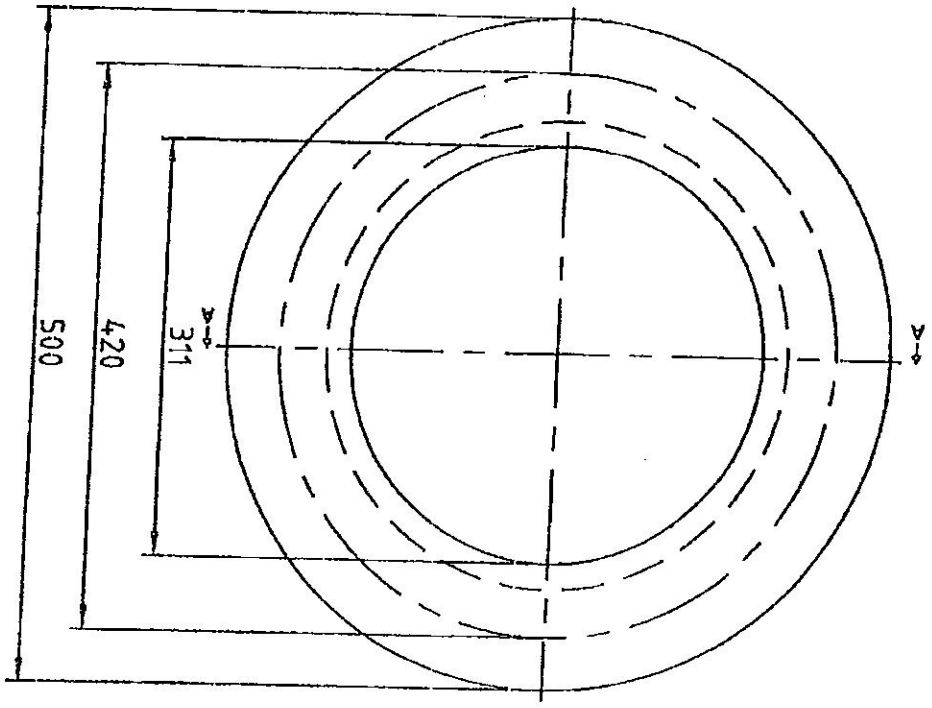
Maneth			
Norm gepr.			
Gepr.			
Gez.	21.1.2011	HP Flasch	
Datum		Rame	

Geometric flange PR 350
 textile constructions G.m.b.H.
TECON



Drillings into PE flange will be done at erection by supervisor.

SPOC #9



Bottom flange PE: