

12

11

4

3

A

B

C

6220

4650

6315

1830

400

1590

460

11080

460

2570

2570

460

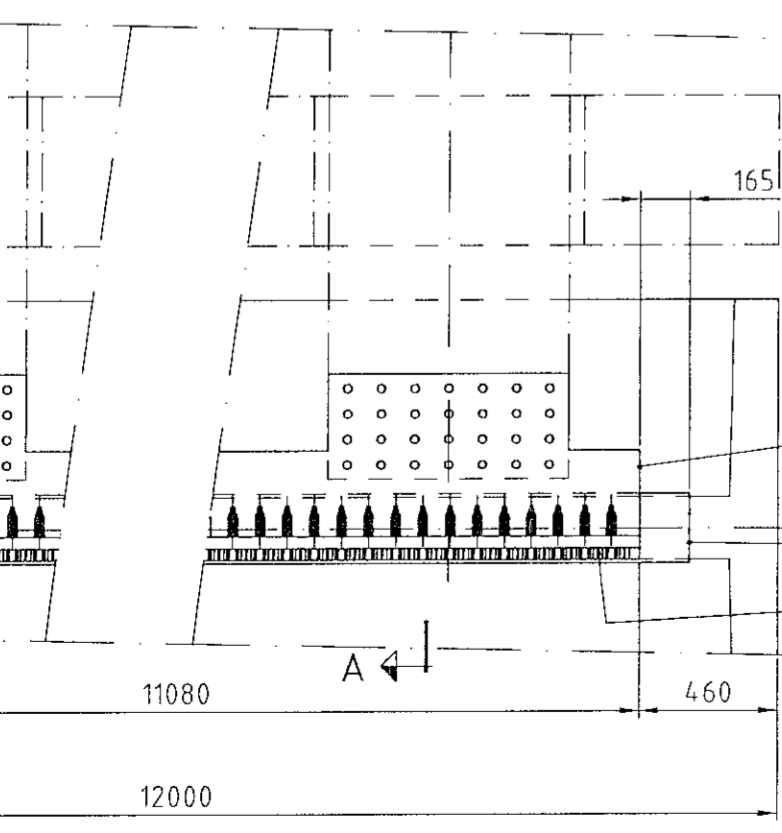
11080

460

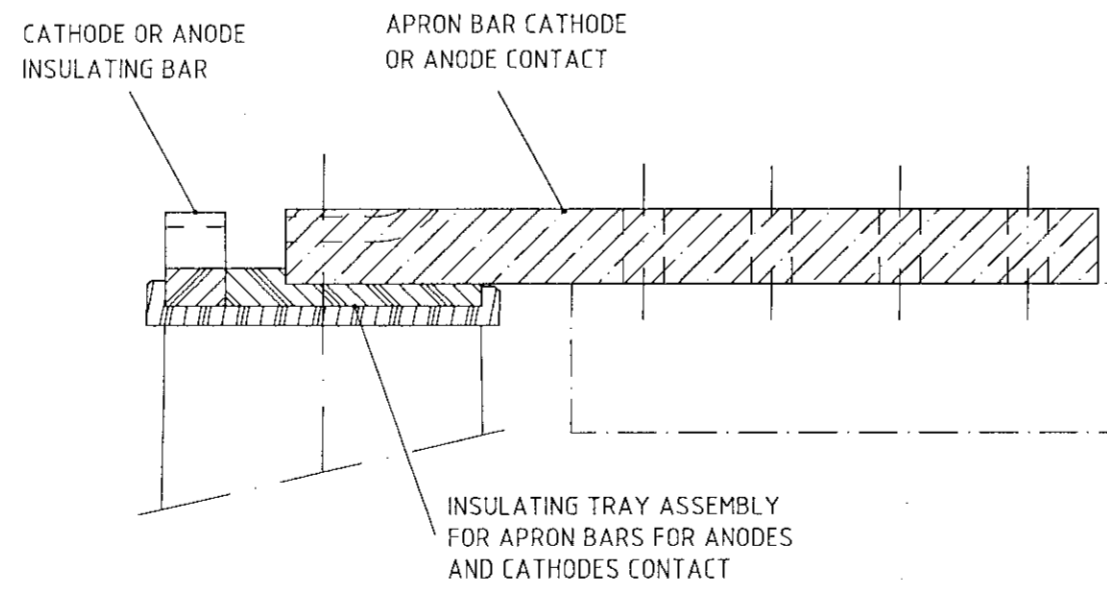
1590

16160

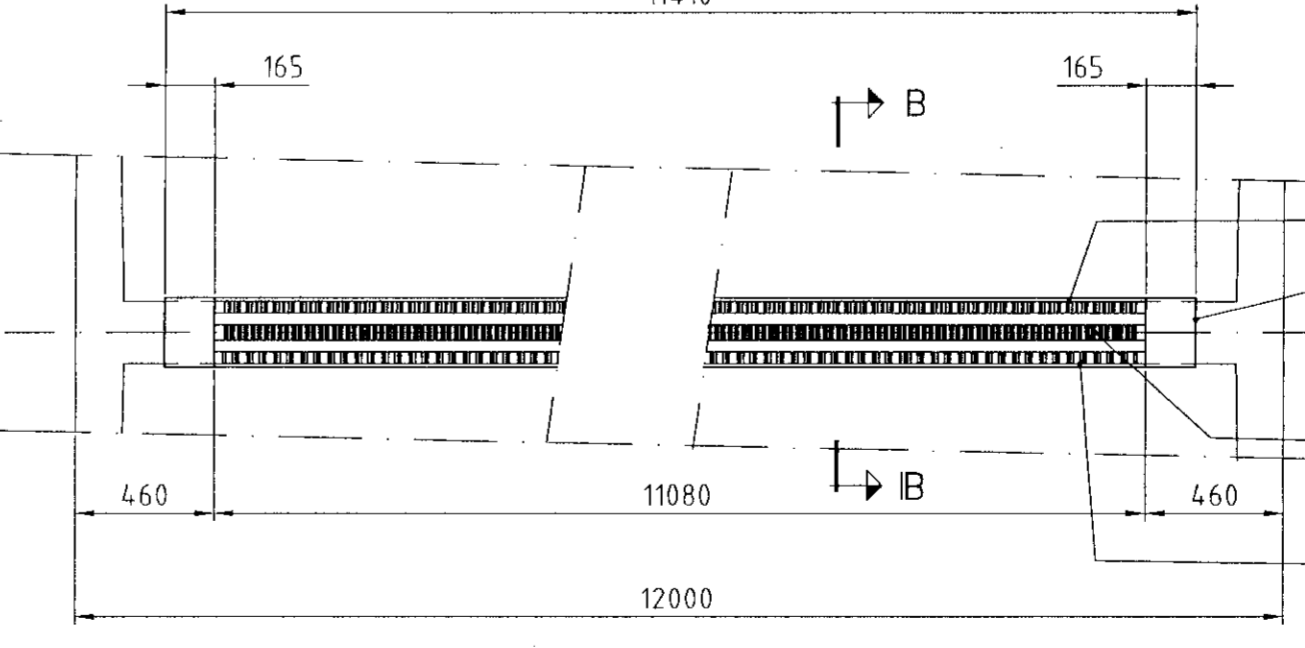
16160



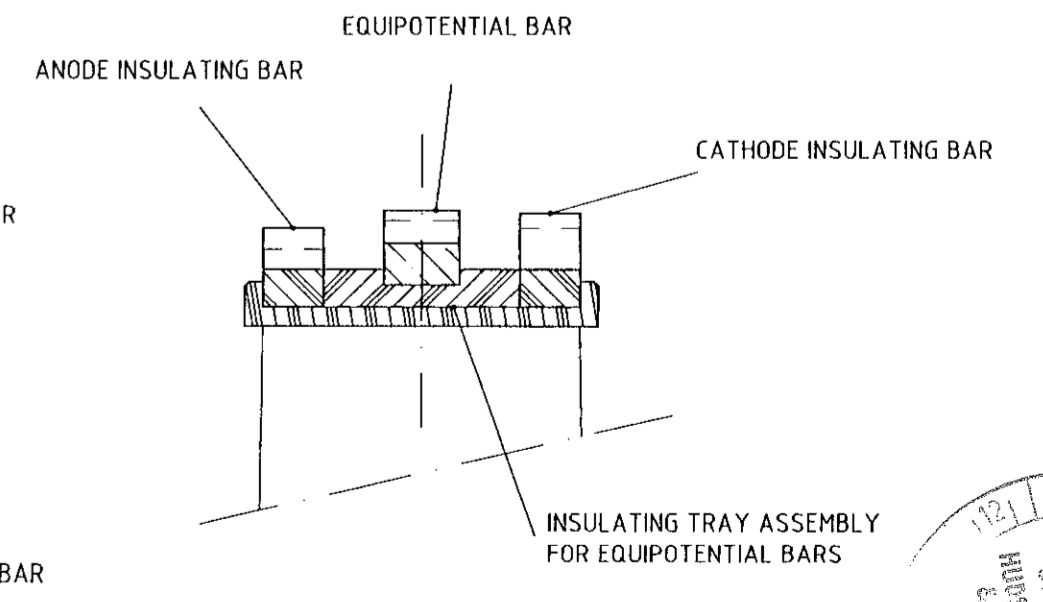
APRON BARS - DETAILS



SECTION A-A



EQUIPOTENTIAL BARS - DETAILS



SECTION B-B

HOLD: CLIENT CONTRACT NUMBER, PROJECT NUMBER AND DOCUMENT NUMBER TO BE ADDED.

TS-0075

INFORMATION CONTAINED IS CONFIDENTIAL AND PROPRIETARY PROPERTY OF ASTURIANA DE ZINC, S.A.

Issue		Date	Drawn	Checked	Approved	Client comment or approval	Issue	Description	Date	Drawn	Checked	Approved	Name	Position	Date	Reference Drawings	Drawing number	Scale	Size	Project No	Drawing number	Rev.
B							B	ISSUED FOR DETAIL DESIGN	30/12/99	A.R.A.	R.S.L.	Y.L.E.	R.M.G.	SNC-Lavalin	30/12/99			1:50	A1	82856	856-1-36-ZC-0001	B
A							A	INTERNAL ISSUE	27/12/99	J.C.C.	AdZT											

This drawing is and remains the sole property of ASTURIANA DE ZINC, S.A. División Tecnología and must not be used for any purpose whatsoever other than the single purpose for which it has been supplied. It must be returned to the PROPRIETOR at his request together with any copies that have been made.

Client Contract No:
Client Project No:
Client Drawing No:

ASTURIANA DE ZINC, S.A.
División Tecnología
HBM&S 777 ZINC PLANT EXPANSION
NEW TANKHOUSE
EQUIPOTENTIAL BAR GENERAL ARRANGEMENTS

Scale: 1:50
Size: A1
Project No: 82856
Drawing number: 856-1-36-ZC-0001
Rev: B

