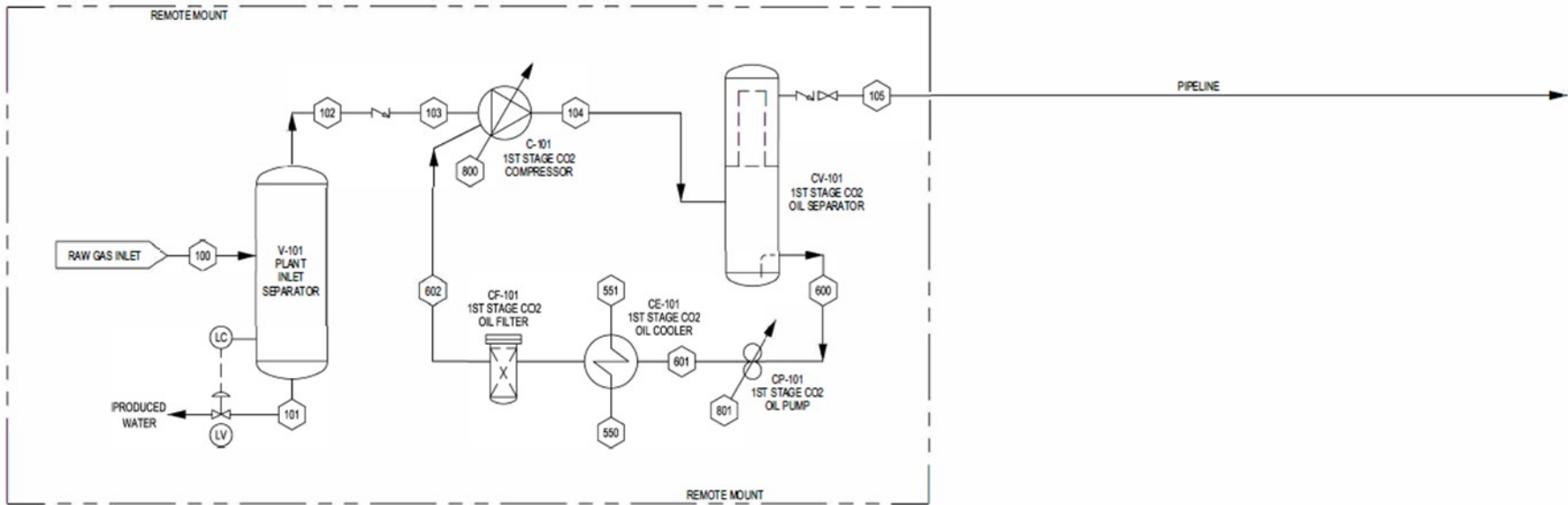


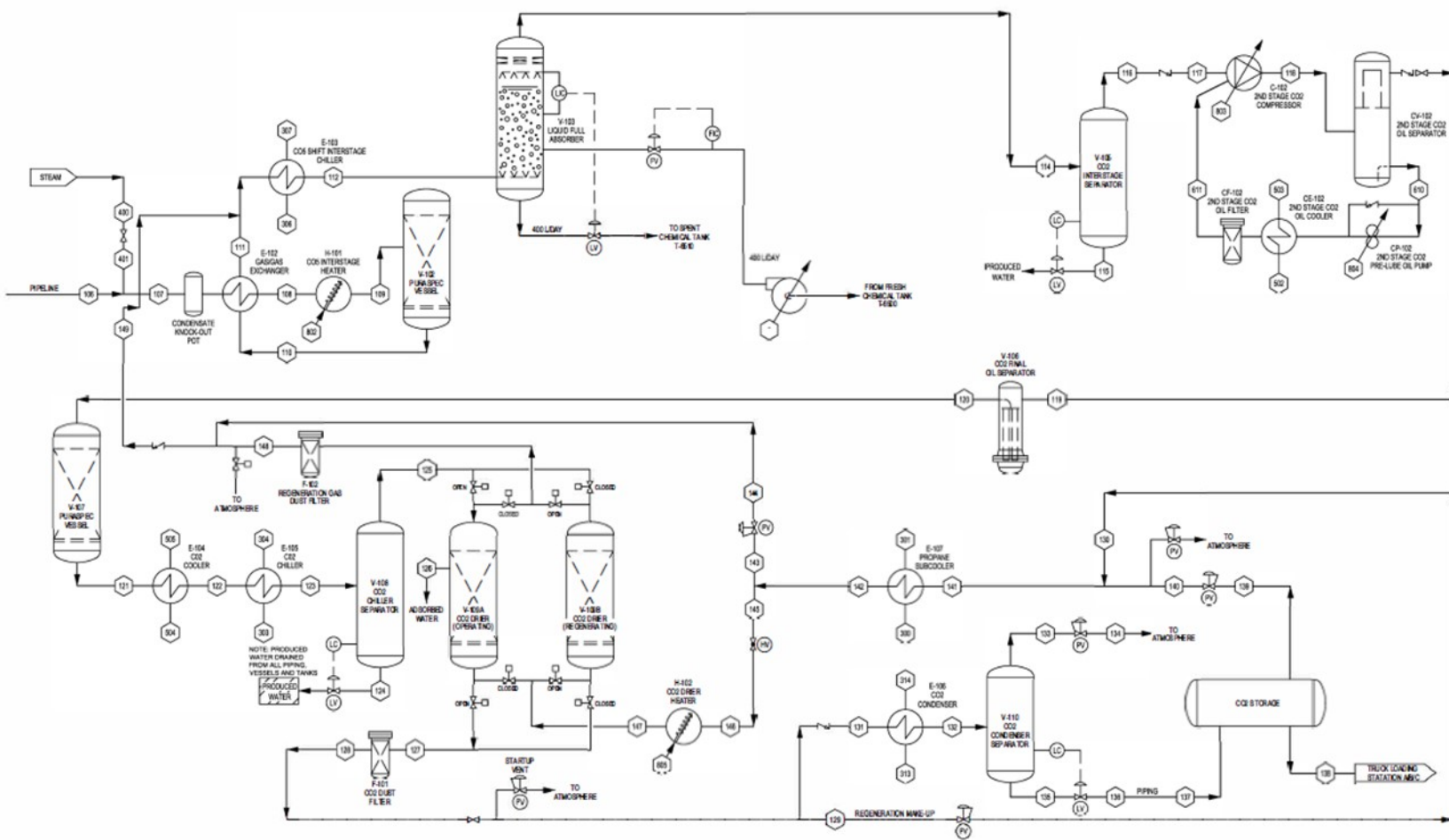
THIS DRAWING IS THE PROPERTY OF INC. IT IS ONLY PROVIDED FOR USE ON PLANT PROJECT. IT MAY NOT BE USED FOR OTHER PURPOSE WITHOUT THE WRITTEN AUTHORIZATION OF INC.



DWG. NO.	REFERENCE DRAWINGS	REV	REVISIONS	DATE	BY	CHK'D	APRD	EMPRESS CO2 PLANT				
								EMPRESS PLANT PFD LSD: NE1/4-11-20-01W4				
		0	ISSUED FOR REVIEW	01-10-14	RSJ			JOB NO.	DRAWN	CHECKED	DATE PLOTTED	SHEET
								N.T.S.	EMPRESS PFD		1 OF 3	0

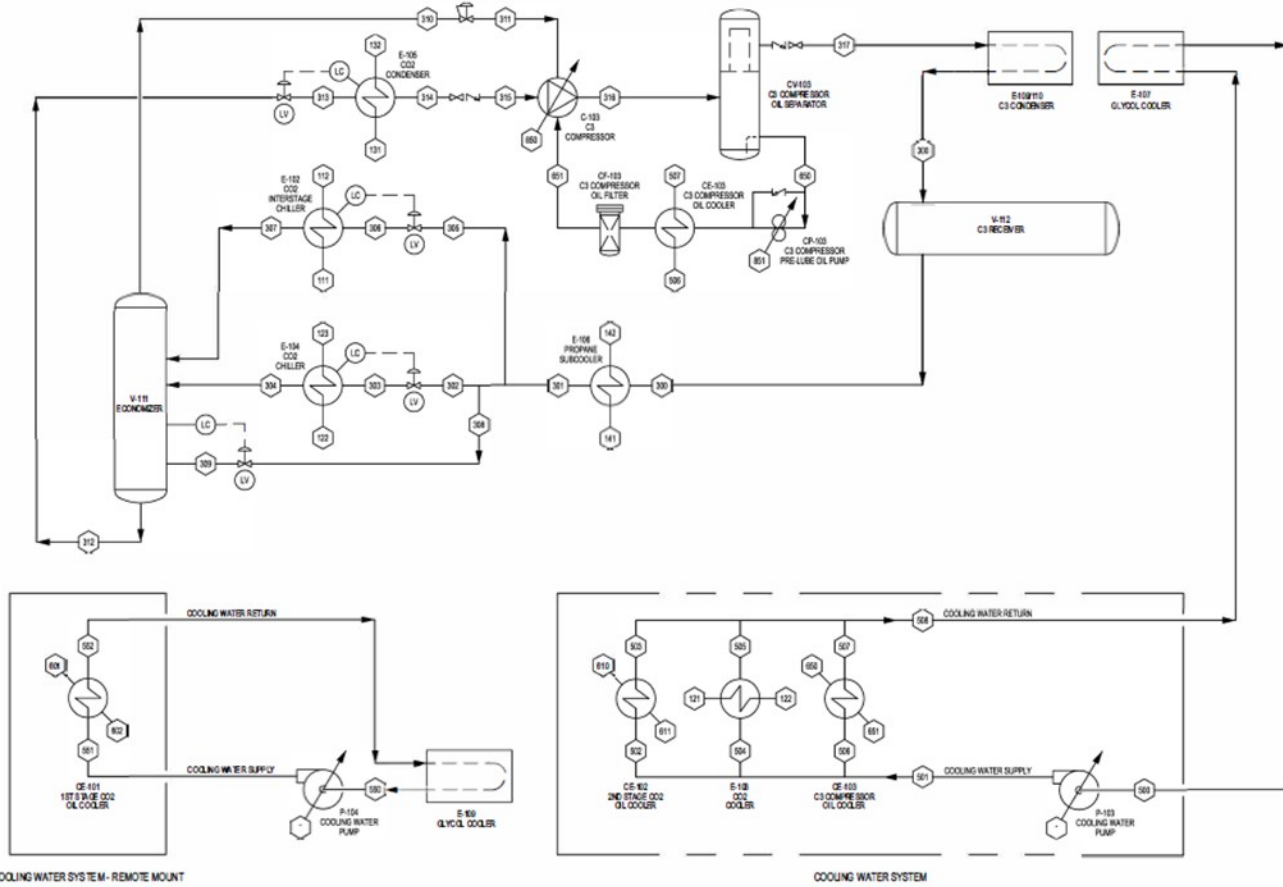
CADD FILE: EMPRESS PFD-SEPT 2014.dwg

ENGINEERING AND PERMIT STAMPS



NOTE: PRODUCED WATER DRAINED FROM ALL PIPING VESSELS AND TANKS
PRODUCED WATER

DWG. NO.	REFERENCE DRAWINGS	REV	REVISIONS	DATE	BY	CHK'D	APRD	EMPRESS CO2 PLANT				
		0	ISSUED FOR REVIEW	01-10-14	RH			EMPRESS PLANT PFD LSD: NE V4-11-20-01W4				
ENGINEERING AND PERMIT STAMPS								JOB NO.	SCALE	DRAWING NO.	SHEET NO.	TOTAL SHEETS
								N.T.S.	EMPRESS PFD	2 OF 3	0	



DWG. NO.	REFERENCE DRAWINGS	REV	REVISIONS	DATE	BY	CHK'D	APRD	EMPRESS CO2 PLANT				
								EMPRESS PLANT PFD LSDNE114-11-ZD-01W4				
		0	ISSUED FOR REVIEW	01-10-14	RH			JOB NO.	SCALE	DRAW. NO.	SHEET NO.	REV
								N.T.S.	EMPRESS PFD		3 OF 3	0

CADD FILE: EMPRESS_PFD_SEPT_2014.dwg

ENGINEERING AND PERMIT STAMPS